


# **TSG 1001**

## **PROGRAMMABLE TELEVISION GENERATOR**

*Please Check for  
CHANGE INFORMATION  
at the Rear of This Manual*

Copyright © 1990 Tektronix, Inc. All rights reserved. Printed in U.S.A.  
Tektronix products are covered by U.S and foreign patents, issued and  
pending. Information in this publication supersedes that in all previously  
published material. Specification and price change privileges reserved.



TEKTRONIX, TEK, TSG 1001, and  are registered trademarks.

For further information, contact Tektronix, Inc., Corporate Offices,  
P.O. Box 500, Beaverton, OR 97077. Phone: (503) 627-7111; TLX: 151754;  
TWX: (910) 467-8708; FAX: (503) 627-5139; Cable: TEKWSGT.

Subsidiaries and distributors worldwide.

# Table of Contents

---

<b>Table of Contents</b> .....	i-1
<b>List of Illustrations</b> .....	i-2
<b>List of Tables</b> .....	i-3
<b>Safety Summary</b> .....	i-4
<b>Section 1 Introduction</b> .....	1-1
Formats and standards .....	1-1
Digital signal generation .....	1-1
Tri-level sync outputs .....	1-2
Programmable trigger function .....	1-2
On-screen signal menu .....	1-2
Remote control capabilities .....	1-2
Packaging .....	1-2
Standard boards .....	1-3
RAM board .....	1-3
Zone plate generator board .....	1-3
<b>Section 2 Installation</b> .....	2-1
Packaging .....	2-1
Installing and removing the TSG 1001 .....	2-1
Mounting the slide tracks .....	2-1
Installing the TSG 1001 .....	2-1
Adjusting the slide tracks .....	2-2
Removing the TSG 1001 .....	2-2
Power supply frequency and voltage ranges .....	2-2

<b>Section 3</b>	<b>Operating Instructions</b>	<b>3-1</b>
The front panel		3-1
The rear panel		3-2
Operating the TSG 1001		3-5
Selecting a signal set		3-5
Selecting a format		3-5
Selecting a test signal		3-5
Using the signal menu		3-5
Turning channels on and off		3-6
Setting the trigger function		3-6
Setting the pedestal level		3-6
Utilities		3-7
The zone plate generator		3-7
Using the zone plate generator		3-9
<b>Section 4</b>	<b>The TSG 1001 Oscillators</b>	<b>4-1</b>
Required equipment		4-1
Replacing oscillator crystals		4-1
<b>Section 5</b>	<b>Specifications</b>	<b>5-1</b>

## List of Illustrations

---

Figure 3-1	The front panel	3-1
Figure 3-2	The rear panel	3-2
Figure 3-3	Digital output pinout	3-3
Figure 3-4	Remote control pinout	3-4
Figure 3-5	Zone plate button settings	3-7

Figure 4-1	Removing the oven cover .....	4-2
Figure 4-2	Removing the heating transistor screw .....	4-2
Figure 4-3	Unplugging the oscillator case .....	4-3
Figure 4-4	Removing the ECB .....	4-3
Figure 4-5	Removing the crystal .....	4-4
Figure 4-6	Setting the rotary switches .....	4-5
Figure 4-7	Example setting .....	4-5
Figure 4-8	Adjusting the oscillator .....	4-6

## List of Tables

---

Table 1-1	TSG 1001 standards and formats .....	1-1
Table 2-1	Power cord options .....	2-2
Table 5-1	General test signal characteristics .....	5-1
Table 5-2	Tri-level sync outputs .....	5-2
Table 5-3	Digital outputs .....	5-2
Table 5-4	Format frequencies and blanking levels .....	5-2
Table 5-5	Power supply .....	5-3
Table 5-6	Physical characteristics .....	5-4
Table 5-7	Environmental characteristics .....	5-4

# Safety Summary

This summary contains general safety information for operating and servicing personnel. Specific warnings and cautions are given throughout the manual but may not appear in this summary.

## TERMS

### In this manual

CAUTION statements identify conditions or practices that can damage the equipment or other property.

WARNING statements identify conditions or practices that can cause injury or loss of life.

### As marked on equipment

CAUTION indicates an injury hazard not immediately accessible as one reads the marking, or a hazard to the equipment or other property.

DANGER indicates an injury hazard immediately accessible as one reads the marking.

## SYMBOLS

### In this manual



This symbol shows where cautionary or other information is to be found.

### As marked on equipment



DANGER – High voltage.



Protective ground (earth) terminal.



ATTENTION – refer to manual.

### Power source

This product is intended to operate from a power module connected to a power source that does not apply more than 250 volts rms between the supply conductors or between either supply conductor and ground.

### Ground the product

This product is grounded through the grounding conductor of the power module power cord. To avoid electrical shock, plug the power cord into a properly wired receptacle before connecting to the product input or output terminals. A protective ground connection by way of the grounding conductor in the power module cord is essential for safe operation.

### Danger arising from loss of ground

If the protective connection to ground is lost, all accessible conductive parts (including knobs and controls that may appear to be insulated) can render an electric shock.

### Use the proper fuse

Use only the fuse of correct type, voltage rating, and current rating, as specified in the parts list for the product. Refer fuse replacement to qualified personnel.

### Do not operate in explosive atmospheres

Do not operate this product in an explosive atmosphere unless it has been specifically certified for such operation.

### Do not operate without covers

To avoid injury, do not operate the product without its covers and panels properly installed.

### Do not service alone

Do not service or adjust this product unless another person capable of rendering first aid and cardio-pulmonary resuscitation is present.

### Power supply shield

The plastic shield on the power supply board is required for protection from dangerous voltages that are present on the board. This shield must be in place at all times when operating the instrument.

# Section 1

## Introduction

---

The TSG 1001 Programmable Television Generator is designed to meet the present and future testing needs of a wide range of TV components and systems. The TSG 1001 offers a stable, precise source of test signals for both conventional and high-definition television (HDTV), along with innovative operational features and built-in flexibility.

### Formats and standards

The TSG 1001 provides signals in the standards listed below. Each signal is available in two or more formats to accommodate a wide range of test applications. All signals conform to SMPTE 240M.

**Table 1–1.**  
**TSG 1001 standards and formats.**

Standards		Formats
(non-HDTV)	525/59.94/2:1	GBR, Y, P <sub>B</sub> , P <sub>R</sub> , Betacam, MII, NTSC
	625/50/2:1	GBR, Y, P <sub>B</sub> , P <sub>R</sub> , Betacam, MII
(HDTV)	525/59.94/1:1	GBR, Y, P <sub>B</sub> , P <sub>R</sub>
	1050/59.94/2:1	GBR, Y, P <sub>B</sub> , P <sub>R</sub>
	1050/59.94/1:1	GBR, Y, P <sub>B</sub> , P <sub>R</sub>
	625/50/1:1	GBR, Y, P <sub>B</sub> , P <sub>R</sub>
	1250/50/2:1	GBR, Y, P <sub>B</sub> , P <sub>R</sub>
	1250/50/1:1	GBR, Y, P <sub>B</sub> , P <sub>R</sub>
	1125/60/2:1	GBR, Y, P <sub>B</sub> , P <sub>R</sub>

### Digital signal generation

The TSG 1001 generates signals digitally, ensuring that they are precise, accurate, and stable. The TSG 1001 provides analog and parallel digital outputs for each component channel. The digital outputs allow direct interface with digital systems under development or evaluation.

The TSG 1001 uses newly-designed Tektronix digital-to-analog converters with a sampling rate of 74.25 MHz to provide 10-bit, 30 MHz bandwidth signals to all three channels. This allows full bandwidth testing of GBR systems.

## **Tri-level sync outputs**

The TSG 1001 provides two full-time tri-level sync outputs that match characteristics with the standard being generated.

## **Programmable trigger function**

The TSG 1001 features a programmable trigger function that generates a trigger pulse at a point you select in the video frame. This pulse can be used to trigger an oscilloscope, enabling you to examine distortions introduced by signal processing equipment. You can also use the function as a frame rate clock to trigger a digitizer. This provides a simple way to observe the temporal performance of signal processing equipment.

## **On-screen signal menu**

A convenient on-screen menu lets you display a list of the test signals stored under each signal select button, along with important parameters for each signal. This menu allows you to use the front panel knob to scroll through the list and select a desired signal.

## **Remote control capabilities**

The TSG 1001 provides a remote control connector on its rear panel. This allows you to control all front panel operations from a remote location, using ground closure switches or the RS-232 interface.

## **Packaging**

The TSG 1001 has a rugged 3-1/2 inch package. It fits in any 19-inch rack, and mounts easily on rack slides.



## Standard boards

The TSG 1001 includes a RAM board and a zone plate generator board as part of its standard equipment.

### RAM board

The RAM board enables you to use the SDP1000 Signal Development Package software (included) to create custom signals in any of several line and field rates. (The TSG 1001 can also use an external clock input to define signals with sampling rates other than 74.25 MHz.) The RAM board also allows you to develop your own set of custom signals and download them directly to the TSG 1001. The TSG 1001 stores all signals in non-volatile RAM memory.

(The SDP1000 software runs on an IBM® AT or compatible computer, and generates data files that can be used with many standard PROM programmers.)

### Zone plate generator board

The zone plate board gives the TSG 1001 a programmable zone plate generator. This enables you to create full-bandwidth sweep signals with horizontal, vertical, diagonal, and temporal frequency components, and to save them in non-volatile RAM memory. The board also provides standard zone plate patterns as preset signals.



## Section 2

# Installation

---

The TSG 1001 fits in any standard 19-inch rack, and mounts in rack slides for easy access. All hardware required for mounting is included.

## Packaging

Save the packaging material the TSG 1001 is shipped with, in case the instrument needs to be shipped again.

## Installing and removing the TSG 1001

To mount the TSG 1001 in rack slides, the rack must have 17–3/4 inches clearance between its front rails, and from 15–1/2 and 28 inches between the front and rear rails. The rack must also leave 6 inches of clearance between the instrument's rear panel and any rear cabinet panel. This provides connector space and allows adequate air circulation.

The slide-out tracks are coated with a dark grey, permanently lubricated finish, and do not require lubrication or other maintenance.

## Mounting the slide tracks

Install the slide tracks in the holes spaced 1/2-inch apart (notice that the hole pattern may vary between racks.) Mount the rails using the hardware included with the instrument. Make sure the stationary sections are horizontally aligned and are level and parallel.

## Installing the TSG 1001

Install the TSG 1001 in the rack as follows:

1. Pull the slide-out track section to its fully extended position.
2. Insert the instrument chassis sections into the slide-out sections of the track.
3. Press and hold the stop latches, and push the instrument into the rack until the stop latches snap into their holes.
4. Press and hold the stop latches again, and push the instrument the rest of the way into the rack.
5. Tighten the retaining screw.

## Adjusting the slide tracks

The slide tracks may bind if not adjusted properly. Adjust the tracks as follows:

1. Slide the TSG 1001 forward about 10 inches.
2. Slightly loosen the screws holding the slide tracks to the front rails of the rack, and allow the tracks to seek an unbound position.
3. Tighten the screws, and make sure the tracks operate smoothly by sliding the instrument back and forth several times.
4. Tighten the retaining screw.

## Removing the TSG 1001

Remove the TSG 1001 from the rack as follows. Disconnect all cables before proceeding.

1. Loosen the retaining screw.
2. Pull the instrument out until all three slide sections latch. The rack holds the instrument firmly in this position.
3. Press both release-latch buttons (visible in the stop-latch holes) and carefully slide the instrument from the tracks.

## Power supply frequency and voltage ranges

The power supply of the TSG 1001 operates at line frequencies ranging from 48 to 62 Hz. The power cord option ordered determines the rating of the factory-installed fuse, as shown in Table 2-1.

**Table 2-1.**  
**Power cord options.**

<b>Power cord option</b>	<b>Fuse rating</b>
Standard North American	4 amp medium blow
Option A1 (Universal Euro), Option A2 (UK), Option 3 (Australia)	2 amp medium blow

# Section 3

## Operating Instructions

This section describes the TSG 1001, and explains how to operate it using its front and rear panel controls and connectors.

### The front panel

The front panel of the TSG 1001 (shown below) contains a vacuum fluorescent readout display, several control buttons, a control knob, and an indicator LED.

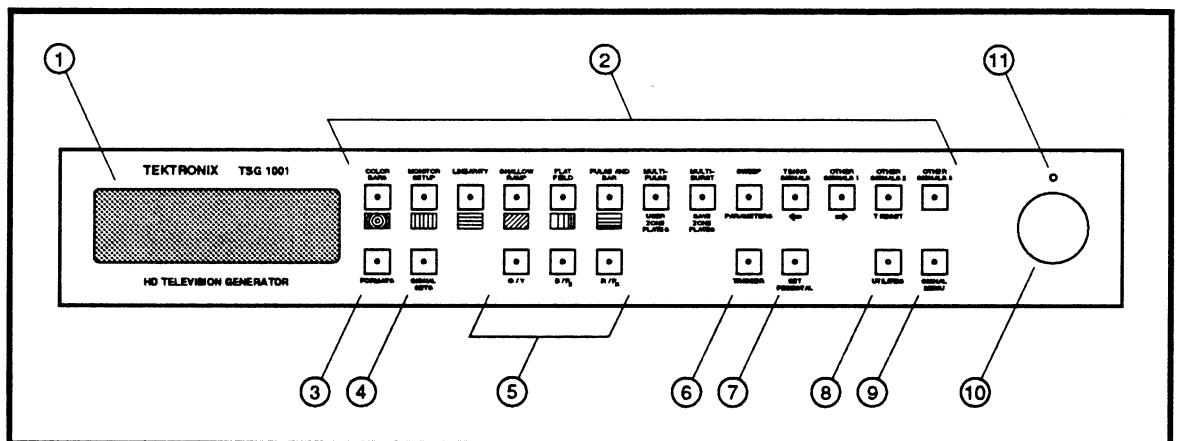


Figure 3-1. The front panel.

The front panel readout and controls operate as follows:

- ① **Front panel readout** – provides complete information on the TSG 1001's operating status.
- ② **Signal select buttons** – select test signal categories. With the zone plate board selected, these select and modify zone plate signals.
- ③ **FORMATS button** – selects test signal formats.
- ④ **SIGNAL SETS button** – switches between the standard test signal set and signals available from optional boards.
- ⑤ **Channel on/off buttons** – turn selected channels on and off.
- ⑥ **TRIGGER button** – displays the trigger function cursors and their positions, and lets you relocate them.

- ⑦ **SET PEDESTAL button** – adds a variable DC offset to the active part of the test signal.
- ⑧ **UTILITIES button** – enables you to alter system functions and configurations (such as setting the RS-232 baud rate or disabling the front panel) and to use the TSG 1001's diagnostic functions.
- ⑨ **SIGNAL MENU button** – lets you select signal sets, test signals, and formats from a full-screen menu.
- ⑩ **Front panel knob** – works with the front panel buttons to select and control various functions of the TSG 1001.
- ⑪ **Front panel status indicator LED** – shows whether the front panel knob can be used. When this LED lights green, you can use the front panel knob to select test signals, formats, or the pedestal level. If this LED is not lit, the knob function will not work until you reactivate it by pressing a front panel button. The LED flashes red if you attempt an illegal operation.

## The rear panel

Figure 3–2 shows the rear panel of the TSG 1001. The rear panel connectors and controls are described below.

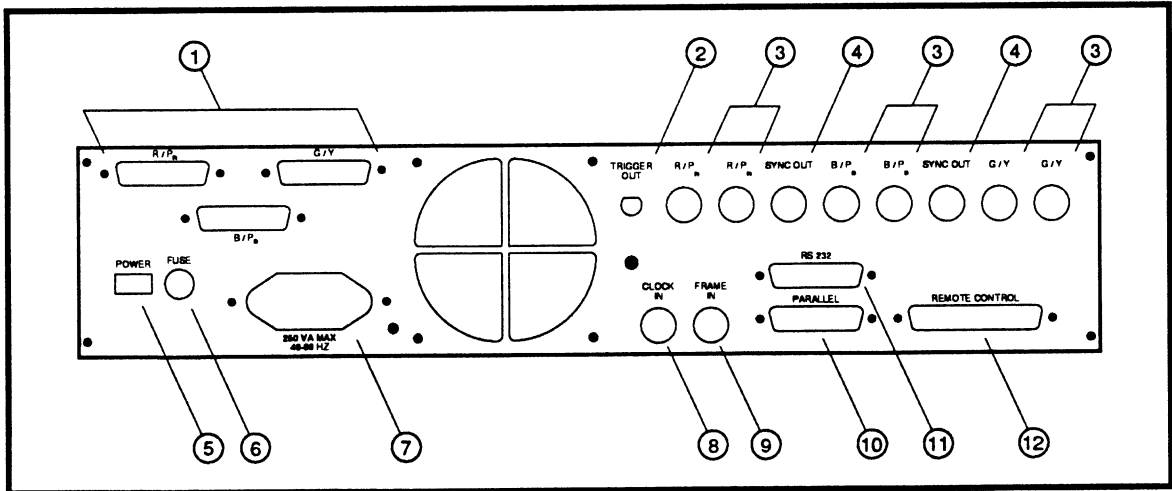


Figure 3–2. The rear panel.

The rear panel connectors and controls operate as follows:

- ① **Digital outputs** – provide digital data for the three output channels. The output format is balanced ECL (10KH series) with 10 data pairs and one clock pair per channel. Figure 3–3 shows the pinout for this connector.

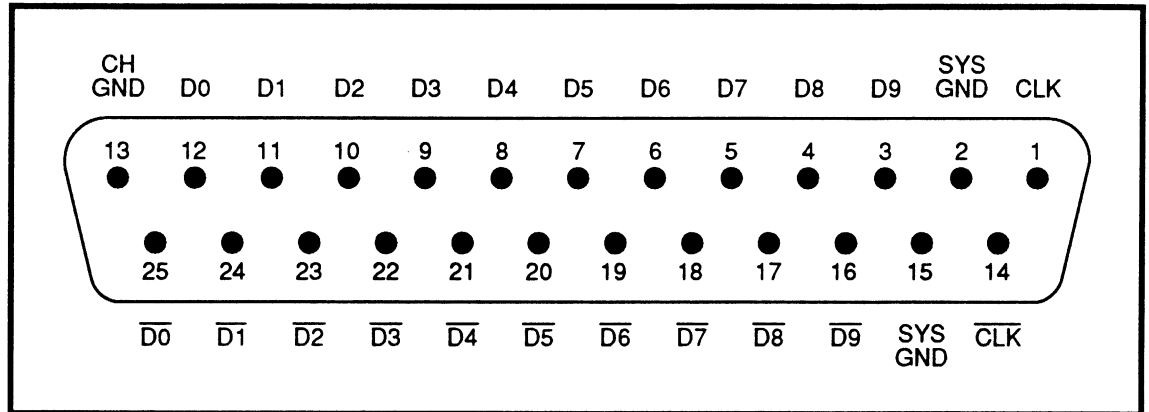


Figure 3–3. Digital output pinout.

- ② **TRIGGER output** – provides a pulse you can use to trigger an oscilloscope (see *Setting the trigger function* later in this section). Use the trigger output with a 75-ohm cable terminated into 75 ohms.
- ③ **Test signal outputs** – provide component HDTV test signals through 75-ohm outputs (two per channel).
- ④ **Sync outputs** – provide full-time tri-level sync signals into 75 ohms.
- ⑤ **POWER switch.**
- ⑥ **FUSE.**
- ⑦ **Line cord.**
- ⑧ **Clock input** – provides a balanced ECL input for an external clock (see *Utilities* later in this section for more information).
- ⑨ **Frame reset input** – allows an external device to reset the TSG 1001's horizontal and vertical counters through a balanced ECL input (see *Utilities*).

- ⑩ **Parallel data connector** – used to transfer data into the RAM board or as a remote control input. This standard interface is compatible with IBM hardware.
- ⑪ **RS-232 connector** – a standard interface that allows data transfer into the RAM board. This connector also works as a remote control input.
- ⑫ **Remote control input** – allows you to control all front panel switch operations through a ground-closure remote control. Figure 3–4 shows the pinout for this connector.

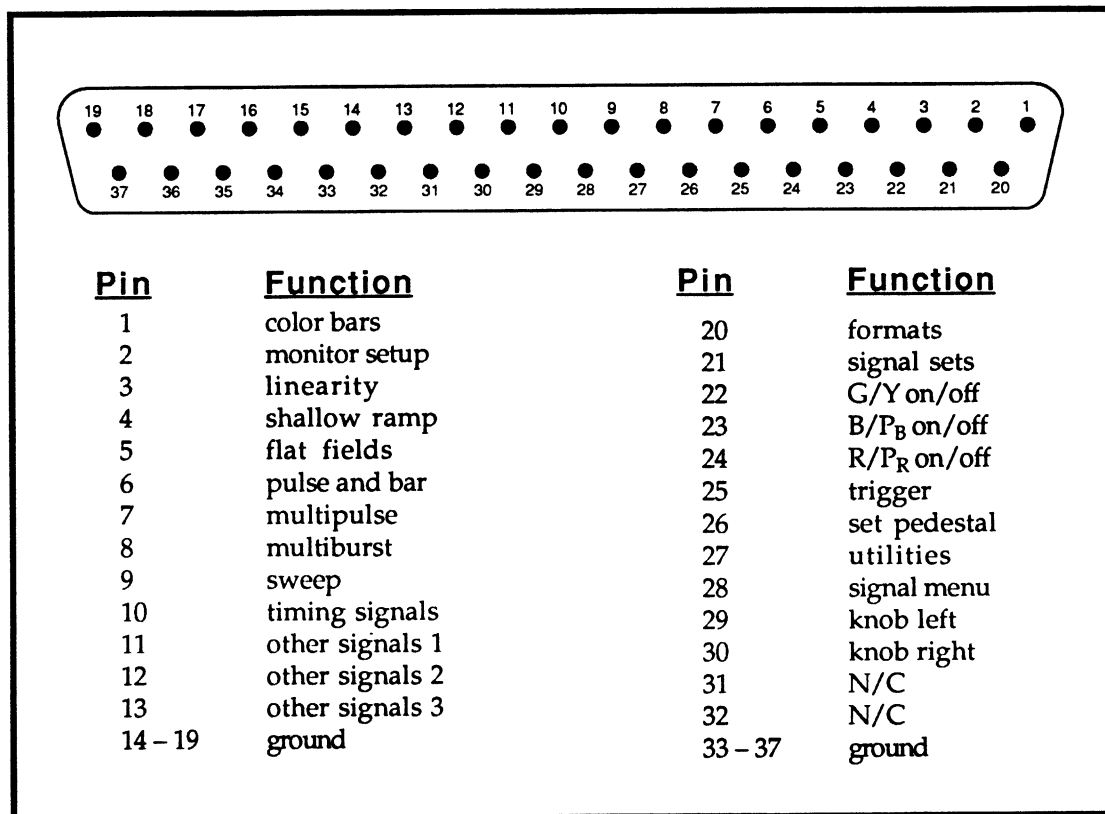


Figure 3–4. Remote control pinout.



# Operating the TSG 1001

The following pages explain how to use the front and back panel controls and connectors to operate the TSG 1001.

## Selecting a signal set

The SIGNAL SETS button selects which board the test signals will originate from. It lets you select any of the signal sets available in the TSG 1001, and to select signals from the RAM or zone plate generator board.

Select a signal set as follows:

1. Press SIGNAL SETS. The current signal set name appears on the front panel readout.
2. Turn the front panel knob or press SIGNAL SETS repeatedly until the signal set you want appears in the readout.

## Selecting a format

Use the FORMATS button to select a video format, as follows:

1. Press FORMATS. The format currently in use appears on the front panel readout.
2. Turn the front panel knob or press FORMATS repeatedly until the format you want appears in the readout.

## Selecting a test signal

The top row of buttons on the TSG 1001's front panel are labelled with the available signal categories, such as COLOR BARS, LINEARITY, and SWEEP. Use these buttons to select test signals, as follows:

1. Press the button of the signal category you want. The front panel readout displays the last signal selected in that category.
2. Turn the front panel knob or press the category button repeatedly until the signal you want appears in the readout.

## Using the signal menu

The TSG 1001 features a full-screen menu you can use to select signal sets, signals, and formats. The signal menu button lets you use a picture monitor (connected to the test signal output) to view the options available under SIGNAL SETS, FORMATS, and any of the signal category buttons.

Use the signal menu as follows:

1. Press SIGNAL MENU.
2. Press the button (SIGNAL SETS, FORMATS, or a signal category button) of the option you want to select.
3. Use the front panel knob to move the cursor to the option you want.
4. Press SIGNAL MENU again. The menu disappears from the monitor, and your selection is implemented.

## Turning channels on and off

The buttons labeled G/Y, B/P<sub>B</sub>, and R/P<sub>R</sub> turn individual test signal channels on and off. Turning a channel off sets the active video portion of its signal at blanking level, but does not affect the sync portion of the signal.

- To turn a channel on or off, press the button for that channel. The green LED on the button lights when the channel is on.

## Setting the trigger function

The trigger function generates a trigger pulse at any point you choose in the video frame. Use the trigger function as follows:

1. Press the TRIGGER button. A crosshair appears on the test signal output, and the front panel readout displays a horizontal sample number giving the vertical cursor's position, and a vertical line number giving the horizontal cursor's position.
2. Use the front panel knob to adjust the horizontal cursor's position.
3. Press TRIGGER a second time, and use the front panel knob to adjust the vertical cursor's position.
4. Press TRIGGER again. This saves the cursor positions, and removes the crosshair display from the test signal output. (The saved position reappears when you push TRIGGER again.) The rear panel trigger output provides a frame rate pulse at the position selected by the cursors.

## Setting the pedestal level

Use the SET PEDESTAL button to add a DC offset to the active video portions of the test signal, as follows:

1. Press SET PEDESTAL. A DC offset is added to the test signal, and the offset voltage appears in the front panel display.
2. Adjust the offset voltage by rotating the front panel knob.
3. Press SET PEDESTAL again to remove the DC offset.

## Utilities

The utilities function enables you to view and alter various system parameters, as follows:

1. Press the UTILITIES button. The first utilities category appears in the front panel readout. (Press the MENU button to display a full-screen list of all utilities categories.)
2. Turn the front panel knob until the category you want appears in the readout.
3. Press the right arrow button to select the category. The current setting for that category appears in the readout.
4. Use the front panel knob to view the available settings for the category. When the setting you want appears, press the right arrow button. The new setting is saved, and the next utilities category appears in the readout. (If you want to exit without changing the current setting, press the left arrow button.)
5. Press UTILITIES again to exit the utilities function.

## The zone plate generator

When you enter the zone plate signal set (as described in *Selecting the zone plate signal set*), the signal select buttons are remapped into an alternate set of zone plate functions. These functions are shown in Figure 3-5 and described below.

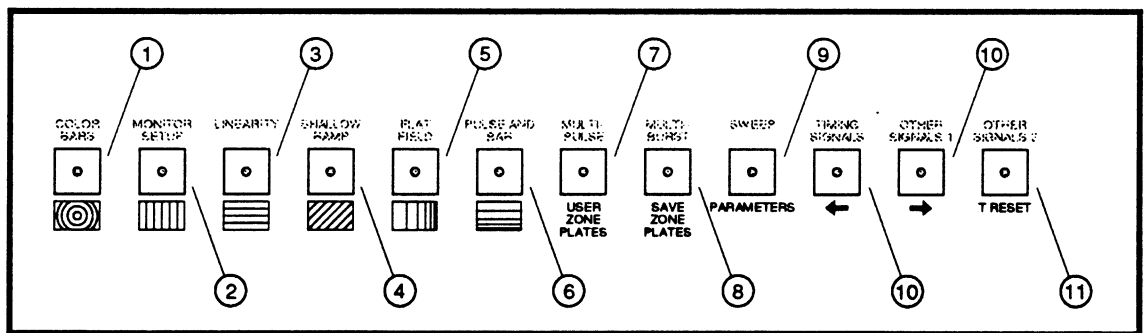


Figure 3-5. Zone plate button settings.

- ① **Circular Zone Plate** – selects the circular zone plate pattern. This pattern is a combination of the horizontal, vertical, and sweep patterns, with a phase that varies with time. To select this pattern:
  1. Press the circular zone plate button.
  2. Use the front panel knob to adjust the pattern's maximum horizontal and vertical sweep frequencies (and thus the size of the circle).
- ② **Horizontal Sine Waves** – selects a horizontal sine wave pattern, as follows:
  1. Press the horizontal sine wave button.
  2. Use the front panel knob to adjust the frequency (in cycles per active picture height, or c/aph) of the pattern.
- ③ **Vertical Sine Waves** – selects a vertical sine wave pattern, as follows:
  1. Press the vertical sine wave button.
  2. Use the front panel knob to adjust the pattern frequency (in c/aph).
- ④ **Diagonal Sine Waves** – selects a diagonal sine wave pattern, as follows:
  1. Press the diagonal sine wave button.
  2. Use the front panel knob to adjust the pattern frequency (in c/aph).
- ⑤ **Horizontal Sweep** – selects a horizontal rate frequency sweep, as follows:
  1. Press the horizontal sweep button.
  2. Use the front panel knob to adjust the maximum sweep frequency (measured in c/aph at the end of the sweep).
- ⑥ **Vertical Sweep** – selects a vertical rate frequency sweep, as follows:
  1. Press the vertical sweep button.
  2. Use the front panel knob to adjust the maximum sweep frequency (measured in c/aph at the end of the sweep).
- ⑦ **USER ZONE PLATES** – enables you to use previously saved custom zone plate signals (see *Selecting a user zone plate signal*, later in this section).

- ⑧ **SAVE ZONE PLATES** – saves custom zone plate signals to non-volatile memory (see *Saving a new zone plate signal* later in this section).
- ⑨ **PARAMETERS** – enables you to change any parameter in the zone plate signal currently selected (see *Modifying zone plate parameters* later in this section).
- ⑩ **Left and right arrow buttons** – move the cursor used to assign names to new zone plate patterns (see *Saving a new zone plate signal* later in this section).
- ⑪ **T (time) RESET** – controls all time-related values in zone plate signals.
  1. Press T RESET until the front panel LED lights green. All time-related values are set to zero and held there, and all pattern motion stops.
  2. Press T RESET again to resume normal operation. The LED goes off.

## Using the zone plate generator

Use the zone plate generator functions as described below.

### Selecting the zone plate signal set

Select the zone plate signal set as follows:

1. Press SIGNAL SETS. The current signal set name appears on the front panel readout.
2. Press SIGNAL SETS repeatedly or turn the front panel knob until ZONE PLATE SIGNAL SET appears on the front panel readout. A zone plate signal appears on the picture monitor.

### Selecting a standard zone plate signal

Once you have selected the zone plate signal set, you can select a standard zone plate signals as follows:

1. Press the desired signal select button. The icon below each shows how the signal appears on the picture monitor.
2. Use the front panel knob to adjust the pattern's frequency.

## Selecting a user zone plate signal

Select a previously saved user zone plate signal as follows:

1. Press **USER ZONE PLATES**. The name of the zone plate pattern currently selected appears on the front panel readout.
2. Press **USER ZONE PLATES** repeatedly or rotate the front panel knob until the signal you want appears.

## Modifying zone plate parameters

The **PARAMETERS** button allows you to modify the parameters of any zone plate signal.

1. Press **PARAMETERS**. The name and current value of a zone plate parameter appear on the front panel readout. Press **PARAMETERS** repeatedly to select different parameters.
2. Use the front panel knob to adjust the value of the parameter.

## Creating a new zone plate signal

When you want to create a custom zone plate signal, the easiest approach is to modify an existing signal. However, if you want to start from scratch, use the signal stored under the **USER ZONE PLATE** button called **Blank Zone Plate**, which has all its parameters set to zero. Create a new signal as follows:

1. Open the user zone plate signal set using the **SIGNAL SETS** button, as described above.
2. Select the blank zone plate signal using **USER ZONE PLATES** as described above.
3. Use **PARAMETERS** to modify the blank zone plate signal as needed.

## Saving a new zone plate signal

You can save the zone plate signals you've created, as follows:

1. Press **SAVE ZONE PLATES**. The name of the previous zone plate signal appears in the front panel readout. Rotate the front panel knob to select the location where the new signal will be saved. Press **SAVE ZONE PLATES** to select that location.
2. To save the new signal under its current name, press **SAVE ZONE PLATES** again.
3. To save the signal under a new name, rotate the front panel knob to change the first character. Move the cursor to the next character by pressing the right arrow button, and use the front panel knob to change the character. Repeat until you have entered the new name. (Use the left arrow button to move the cursor backwards.)
4. When you've entered the new name, press **SAVE ZONE PLATES** again. Your new signal is now saved and appears under **USER ZONE PLATES**.

## **WARNING**

THE FOLLOWING SERVICING INSTRUCTIONS ARE FOR USE BY QUALIFIED PERSONNEL ONLY. TO AVOID PERSONAL INJURY, DO NOT PERFORM ANY SERVICING OTHER THAN THAT CONTAINED IN OPERATING INSTRUCTIONS UNLESS YOU ARE QUALIFIED TO DO SO. REFER TO OPERATORS SAFETY SUMMARY AND SERVICE SAFETY SUMMARY PRIOR TO PERFORMING ANY SERVICE.







# Section 4

## The TSG 1001 Oscillators

---

The TSG 1001 provides three oscillators with the following frequencies:

- 74.25 MHz (oscillator 0)
- 72.00 MHz (oscillator 1)
- 75.335664 MHz (oscillator 2)

By replacing the crystals in oscillators 1 and 2 you can use the formats listed in Table 1-1.

### Required equipment

You will need the following equipment to change oscillator crystals:

- a Tektronix DC 5010 Programmable Universal Counter/Timer with an ovenized oscillator (Option 1)
- a screwdriver with a #1 Pozidrive bit, or a small Phillips screwdriver
- a 1/4-inch wrench

### Replacing oscillator crystals

Replace the crystal in oscillator 1 or 2 as follows.

**WARNING**

***TO AVOID INJURY AND EQUIPMENT DAMAGE,  
DISCONNECT POWER TO THE INSTRUMENT BEFORE  
PERFORMING THIS PROCEDURE.***

1. Remove the top screw just behind the front panel, and remove the top cover of the TSG 1001.

2. Locate the oscillator you want to change, and remove the two screws retaining the oscillator oven cover as shown below. Remove the cover.

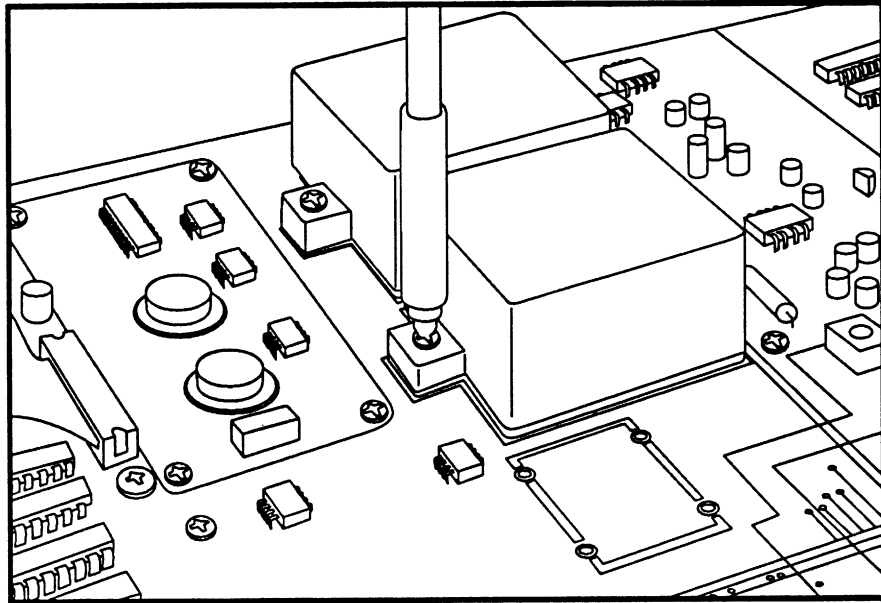


Figure 4-1. Removing the oven cover.

3. Remove the screw that holds the heating transistor to the oscillator case, as shown below. (Figure 4-2 shows oscillator 1. The screw on the oscillator you're working on may be on the side opposite that shown.)

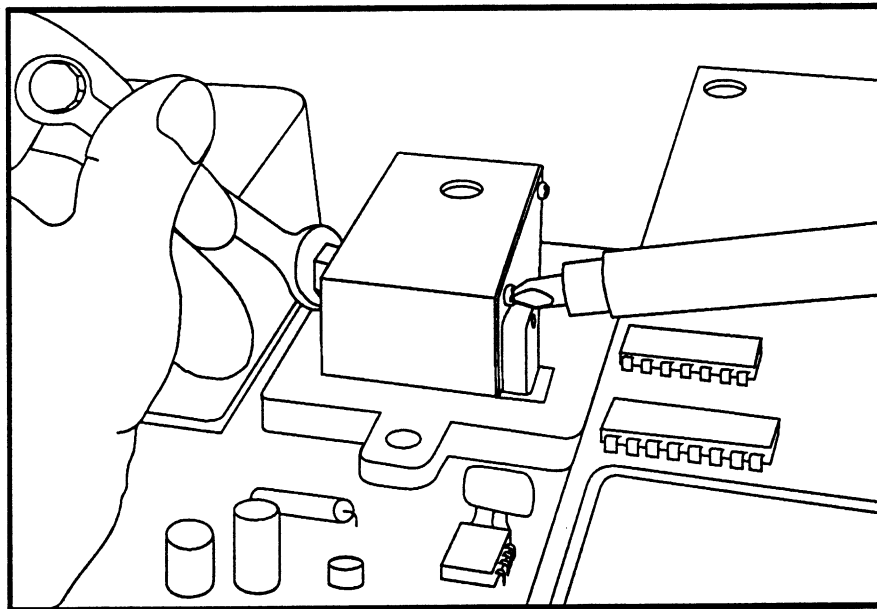


Figure 4-2. Removing the heating transistor screw.

4. Unplug the oscillator case from the board as shown below.

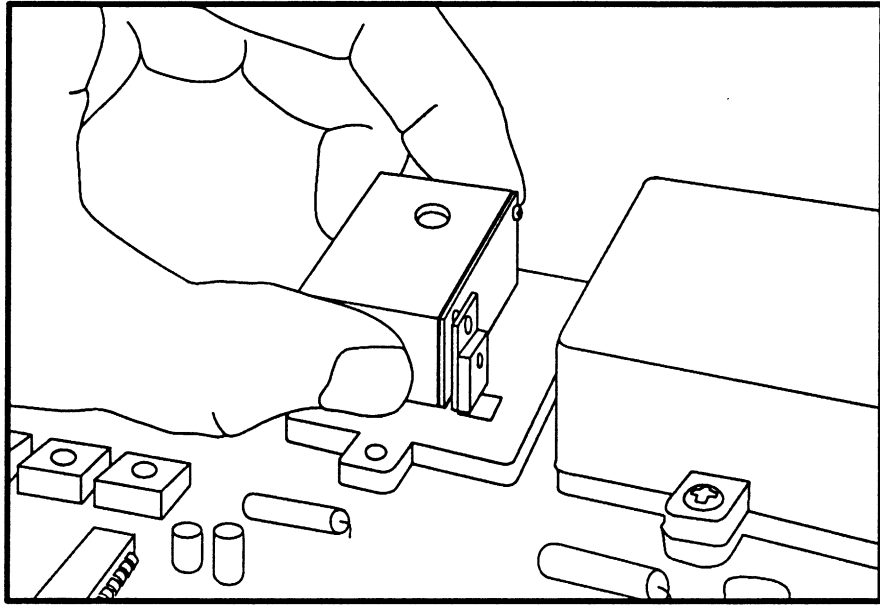


Figure 4-3. Unplugging the oscillator case.

5. Remove the screw on the outside of the oscillator case, and remove the flat cover.
6. Remove the screw under the cover that retains the etched circuit board (ECB), and remove the ECB as shown in Figure 4-4.

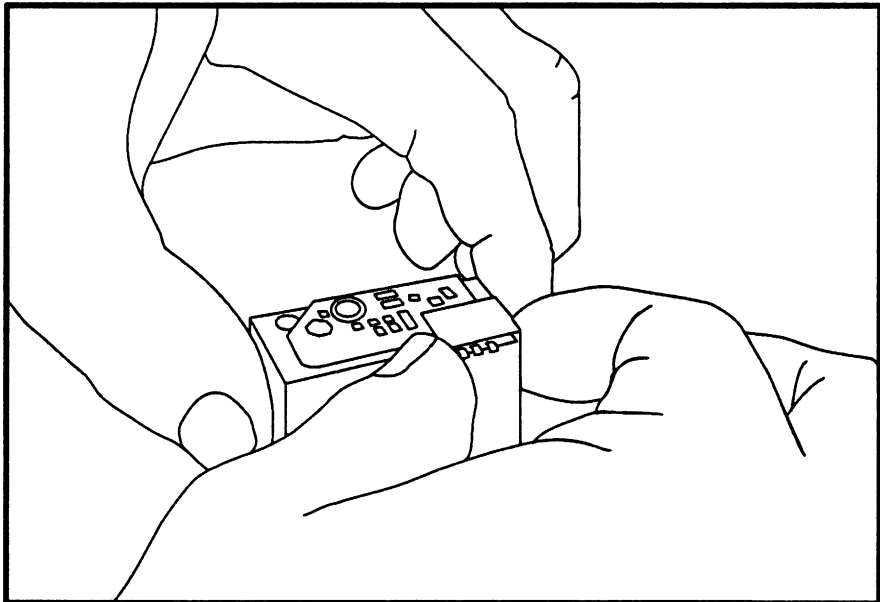


Figure 4-4. Removing the ECB.

7. Unplug the old crystal from the ECB as shown, and plug in the new crystal.

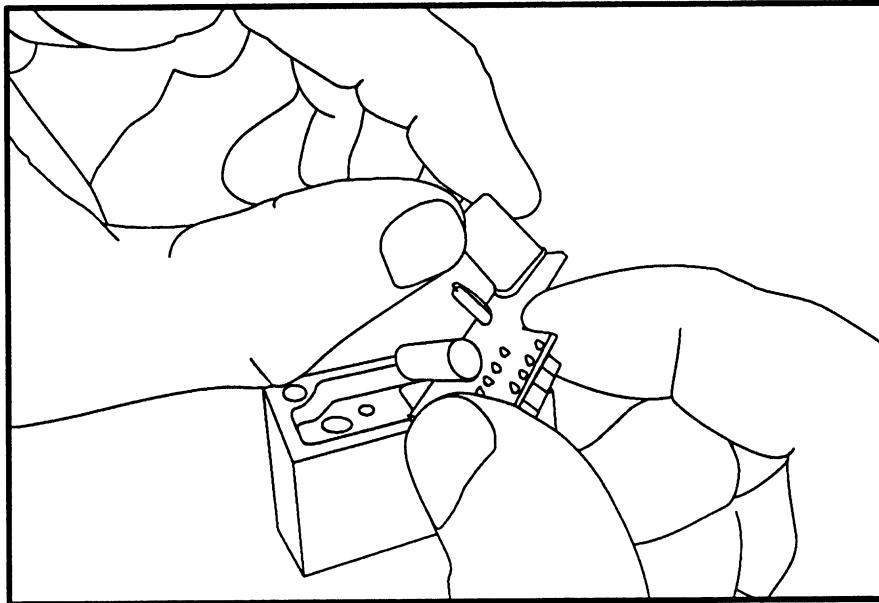


Figure 4-5. Removing the crystal.

8. Replace the ECB, and reinstall the retaining screw. Replace the flat cover, and reinstall the screw into the outside of the oscillator case.
9. Plug the oscillator case back into the board. Note that the thermistor (a small bead-like component next to the crystal) must enter the round well in the case just below the hole for the circuit board screw. The crystal must enter the oval well.

#### NOTE

*If you need to operate the TSG 1001 without one of its oscillator cases, move the jumper for that oscillator to pins 2-3 (farthest from the pin 1 index mark).*

10. Make sure that the jumper for the oven heater (J601 for oscillator 1, J701 for oscillator 2) is in the position nearest the triangular index mark for pin 1.

**WARNING**

**YOU WILL RUIN THE HEATING TRANSISTOR AND RISK INJURY IF YOU OPERATE THE INSTRUMENT WITHOUT INSTALLING AND TIGHTENING THE HEATING TRANSISTOR'S RETAINING SCREW.**

11. Reinstall the heating transistor retaining screw.
12. Replace the oscillator oven cover and its retaining screws, and replace the top of the TSG 1001.
13. Locate the rotary switches for the oscillator you have changed. These switches are in the lower left-hand corner of the board. As shown in Figure 4-6, use a small screwdriver to set the switches to a MHz value that is five times the value of the crystal you installed. (Note that the instrument's microprocessor reads the rotary switches only at power-up.)

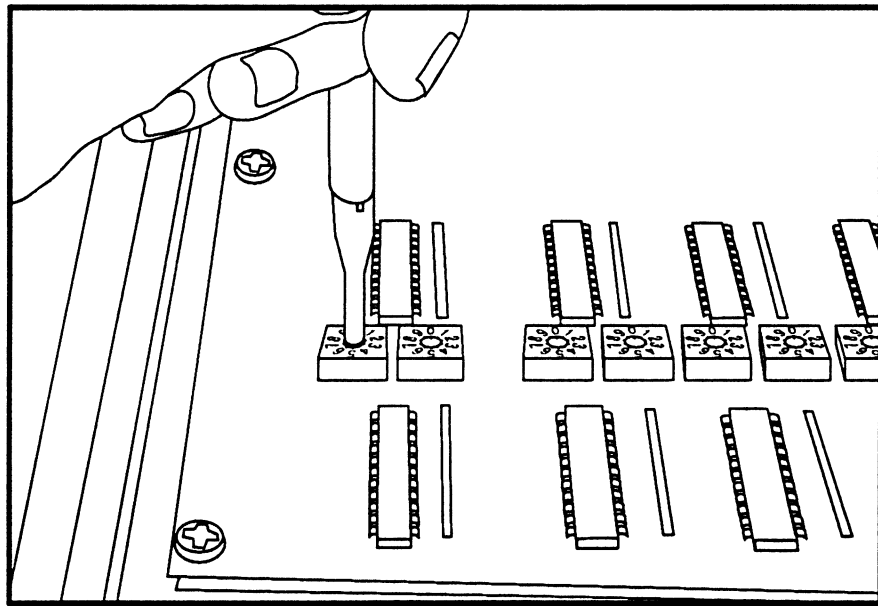


Figure 4-6. Setting the rotary switches.

For example, if you installed a 14.4 MHz crystal in the 72.0 MHz oscillator, you would set the switches as shown in Figure 4-7:

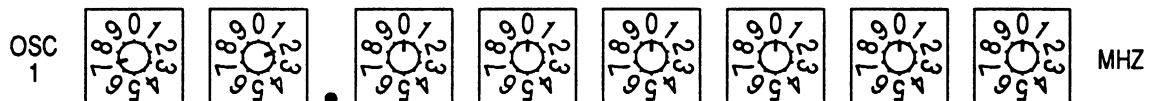


Figure 4-7. Example setting.

14. Turn the instrument on, and let it warm up for at least 20 minutes.
15. Connect the SMB connector (J73) on the analog output board to a Tektronix DC 5010 Counter/Timer. Use the cable that came with the DC 5010.
16. Remove the plug on top of the oscillator oven cover. As shown in Figure 4-8, use the screwdriver to turn the adjustment screw inside the cover until the readout on the DC 5010 matches the oscillator's nominal frequency.

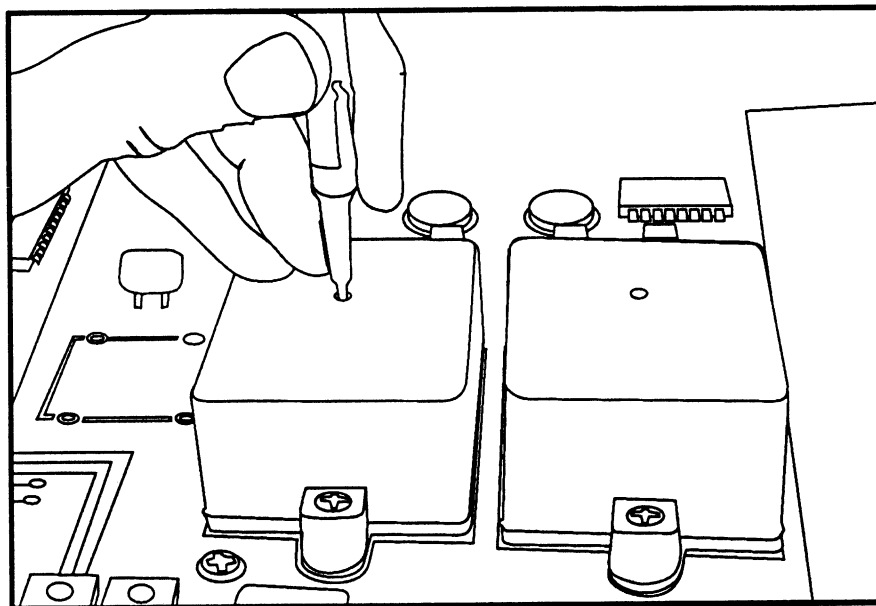


Figure 4-8. Adjusting the oscillator.

You can also adjust the oscillator using a DC 5010 that does not have Option 1, using an external reference frequency of sufficient accuracy. See the DC 5010 Operator's Manual for details.

17. Replace the plug in the oscillator oven cover, and replace the instrument's top cover.

# Section 5

## Specifications

---

**Table 5-1.**  
**General test signal characteristics.**

Characteristics	Performance requirements	Supplemental information
Amplitude accuracy channel match	$\pm 1\%$ $\pm 0.5\%$ ; channels 2 and 3 referenced to channel 1	measured at 700 mV
Frequency response	$\pm 1\%$ to 20 MHz $\pm 2\%$ to 30 MHz	
Group delay distortion	$\leq 3$ ns to 20 MHz $\leq 5$ ns to 25 MHz	
Channel to channel delay	within 1 ns; channels 2 and 3 referenced to channel 1	
Field tilt	$\leq 0.5\%$	
Line tilt	$\leq 0.5\%$	
Sine squared pulses	HADs accurate within $\pm 2$ ns	
Pulse to bar ratio	1:1 within 1%	using 2T30 pulse and bar
Blanking level	0 V DC $\pm 50$ mV	
Spurious signals	$< 5$ mV to 30 MHz $< 7$ mV above 30 MHz	
Output impedance	75 $\Omega$	
Return loss		$\geq 35$ dB to 30 MHz

**Table 5–2**  
**Tri-level sync outputs.**

Characteristics	Performance requirements	Supplemental Information
Blanking level	within 50 mV of level for standard (see Table 5–4)	
Spurious signals	< 5 mV to 30 MHz < 7 mV above 30 MHz	
Output impedance	75 $\Omega$	

**Table 5–3.**  
**Digital outputs.**

Characteristics	Performance requirements	Supplemental information
Sampling frequency	format-dependent (see Table 5–4)	1.0 ppm stability typical
Digital coding	10-bit linear PCM	
Output format	balanced ECL (10KH series), 10 data pairs, 1 clock pair	
Connector	25 pin D female	

**Table 5–4.**  
**Format frequencies and blanking levels.**

Format	Frequency	Blanking level
(non-HDTV) 525/59.94/2:1	72.0 Mhz	0 mV
625/50/2:1	72.0 Mhz	0 mV
(HDTV) 525/59.94/1:1	72.0 Mhz	0 mV
1050/59.94/2:1	72.0 Mhz	0 mV
1050/59.94/1:1	72.0 Mhz	0 mV
625/50/1:1	72.0 Mhz	0 mV
1250/50/2:1	72.0 Mhz	0 mV
1250/50/1:1	72.0 Mhz	0 mV
1125/60/2:1	74.25 Mhz	0 mV



**Table 5-5.**  
**Power supply.**

Characteristics	Performance requirements	Supplemental Information
<b>Supply accuracy</b> 12 V 5 V -5.2 V -12 V -2 V	12 V $\pm$ 300 mV 5 V $\pm$ 100 mV -5.2 V $\pm$ 300 mV -12 V $\pm$ 300 mV -2 V $\pm$ 300 mV, -100 mV	internal adjustment for 5 V and -2 V supplies requires a minimum load of 0.25 A
<b>Current limits</b> $\pm$ 12 V 5 V -5.2 V -2 V	1 A $\leq$ I <sub>limit</sub> 20 A $\leq$ I <sub>limit</sub> $\leq$ 25 A 20 A $\leq$ I <sub>limit</sub> $\leq$ 25 A 4 A $\leq$ I <sub>limit</sub> $\leq$ 6 A	overcurrent on 5 V, -5.2 V, or -2 V causes the power supply to shut down and cycle on and off until the fault is corrected
<b>Hum</b> $\pm$ 12 V 5 V -5.2 V -2 V	$\leq$ 5 mV $\leq$ 10 mV $\leq$ 10 mV $\leq$ 20 mV	typical
<b>Noise</b> $\pm$ 12 V 5 V -5.2 V -2 V	$\leq$ 10 mV $\leq$ 50 mV $\leq$ 50 mV $\leq$ 100 mV	5 MHz bandwidth
<b>Line voltage range</b> 110 VAC 220 VAC	90 - 132 VAC 180 - 250 VAC	set by internal switch
<b>Fuse data</b> 110 V setting 220 V setting	4 amp medium blow 2 amp medium blow	internal fuse is a 2 amp fast
<b>Power consumption</b> maximum typical	$\leq$ 250 VA $\leq$ 180 W	
<b>Line frequency</b>	48 to 62 Hz	

**Table 5-6.**  
**Physical characteristics.**

Characteristics	Information
<b>Dimensions</b> height width length	3.48 inches (8.84 cm) 19.0 inches (48.26 cm) 22.0 inches (55.88 cm)
<b>Weight</b>	25 lbs (10.4 kg)

**Table 5-7.**  
**Environmental characteristics.**

Characteristics	Information
<b>Temperature</b> operating non-operating	0° to 50° C -40° to 65° C

# REPLACEABLE ELECTRICAL PARTS LIST

## PARTS ORDERING INFORMATION

Replacement parts are available from or through your local Tektronix, Inc., field office or representative.

It is important, when ordering parts, to include the following information in your order. Part number, instrument type and number, serial number, and modification number if applicable.

If a part you have ordered has been replaced with a new or improved part, your local Tektronix, Inc., field office or representative will contact you concerning any change in part number.

Change information, if any, is located at the rear of this manual.

Only the circuit number will appear on the diagrams and circuit board illustrations. Each diagram and circuit board illustration is clearly marked with the assembly number. Assembly numbers are also marked on the mechanical exploded views located in the Mechanical Parts List. The component number is obtained by adding the assembly number prefix to the circuit number.

The Electrical Parts List is divided and arranged by assemblies in numerical sequence (e.g., assembly A1 with its subassemblies and parts, precedes assembly A2 with its subassemblies and parts).

Mechanical subparts to the circuit boards are listed in the Electrical Parts List. These mechanical subparts are listed with their associated electrical parts. For example, fuse holder follows fuse.

Chassis-mounted parts have no assembly number prefix and are located at the end of the Electrical Parts List.

### LIST OF ASSEMBLIES

A list of assemblies can be found at the beginning of the Electrical Parts List. The assemblies are listed in numerical order. When the complete component number of a part is known, this list will identify the assembly in which the part is located.

### CROSS INDEX-MFR. CODE NUMBER TO MANUFACTURER

The Mfr. Code Number to Manufacturer index for the Electrical Parts List is located immediately after this page. The Cross Index provides codes, names, and addresses of manufacturers of components listed in the Electrical Parts List.

### ABBREVIATIONS

Abbreviations conform to American National Standard Y1.1.

### COMPONENT NUMBER (Column 1 of the Electrical Parts List)

A numbering method has been used to identify assemblies, subassemblies, and parts. Examples of this numbering method and typical expansions are illustrated by the following:

Example A. A23R1234

component
A23
R1234

Assembly Number
↖
↗
Circuit Number

Read: Resistor 1234 of Assembly 23.

Example B. A23A2R1234

component
A23
A2
R1234

Assembly Number
→
↖
↗
Circuit Number

Subassembly Number
↖
↗

Read: Resistor 1234 of Subassembly 2 of Assembly 23.

### TEKTRONIX PART NO. (Column 2 of the Electrical Parts List)

Indicates part number to be used when ordering replacement parts from Tektronix.

### SERIAL/ASSEMBLY NO. (Columns 3 and 4 of the Electrical Parts List)

Column 3 indicates the serial or assembly number at which the part was first used. Column 4 indicates the serial or assembly number at which the part was removed. No serial or assembly number entered indicates part is good for all serial numbers.

### NAME AND DESCRIPTION (Column 5 of the Electrical Parts List)

In the Parts List, an Item Name is separated from the description by a colon (:). Because of space limitations, an Item Name may sometimes appear as incomplete. For further Item Name identification, the U.S. Federal Cataloging Handbook H6-1 can be utilized where possible. The Mechanical subparts are shown as \*ATTACHED PARTS\* / \*END ATTACHED PARTS\* or \*MOUNTING PARTS\* / \*END MOUNTING PARTS\* in column 5.

### MFR. CODE (Column 6 of the Electrical Parts List)

Indicates the code number of the actual manufacturer of the part. (Code to name and address cross-reference can be found immediately after this page.)

### MFR. PART NUMBER (Column 7 of the Electrical Parts List)

Indicates actual manufacturer's part number.

## CROSS INDEX - MFR. CODE NUMBER TO MANUFACTURER

Mfr. Code	Manufacturer	Address	City, State, Zip Code
00779	AMP INC	2800 FULLING MILL PO BOX 3608	HARRISBURG PA 17105
00853	SANGAMO WESTON INC COMPONENTS DIV	SANGAMO RD PO BOX 128	PICKENS SC 29671-9716
01121	ALLEN-BRADLEY CO	1201 S 2ND ST	MILWAUKEE WI 53204-2410
01295	TEXAS INSTRUMENTS INC SEMICONDUCTOR GROUP	13500 N CENTRAL EXPY PO BOX 655012	DALLAS TX 75265
01536	TEXTRON INC CAMCAR DIV	1818 CHRISTINA ST	ROCKFORD IL 61108
02111	SEMS PRODUCTS UNIT HAMILTON STANDARD CONTROLS INC SPECTROL DIV	17070 E GALE AVE P O BOX 1220	CITY OF INDUSTRY CA 91749
02735	RCA CORP SOLID STATE DIVISION		
03508	GENERAL ELECTRIC CO SEMI-CONDUCTOR PRODUCTS DEPT	W GENESEE ST	AUBURN NY 13021
04072	BELL INDUSTRIES JW MILLER DIVISION		COMPTON CA 94539
04222	AVX CERAMICS DIV OF AVX CORP	19TH AVE SOUTH P O BOX 867	MYRTLE BEACH SC 29577
04713	MOTOROLA INC SEMICONDUCTOR PRODUCTS SECTOR	5005 E MCDOWELL RD	PHOENIX AZ 85008-4229
05397	UNION CARBIDE CORP MATERIALS SYSTEMS DIV	11901 MADISON AVE	CLEVELAND OH 44101
05828	GENERAL INSTRUMENT CORP GOVERNMENT SYSTEMS DIV	600 W JOHN ST	HICKSVILLE NY 11802
07088	KELVIN ELECTRIC CO	5907 NOBLE AVE	VAN NUYS CA 91411
07263	FAIRCHILD SEMICONDUCTOR CORP		
08116	BOURNS INSTRUMENTS INC MAGNETICS DIV	28151 HWY 74 P O BOX 1398	ROMOLAND CA 92380
09922	BURNDY CORP	RICHARDS AVE	NORWALK CT 06852
09969	DALE ELECTRONICS INC	EAST HIGHWAY 50 P O BOX 180	YANKTON SD 57078
11236	CTS CORP BERNE DIV THICK FILM PRODUCTS GROUP	406 PARR ROAD	BERNE IN 46711-9506
12327	FREWAY CORP	9301 ALLEN DR	CLEVELAND OH 44125-4632
12969	UNITRODE CORP	5 FORBES RD	LEXINGTON MA 02173-7305
14552	MICROSEMI CORP	2830 S FAIRVIEW ST	SANTA ANA CA 92704-5948
17856	SILICONIX INC	2201 LAURELWOOD RD	SANTA CLARA CA 95054-1516
18324	SIGNETICS CORP MILITARY PRODUCTS DIV	4130 S MARKET COURT	SACRAMENTO CA 95834-1222
18565	CHOMERICS INC	77 DRAGON COURT	WOBURN MA 01801-1039
19396	ILLINOIS TOOL WORKS INC PAKTRON DIV	1205 MCCONVILLE RD PO BOX 4539	LYNCHBURG VA 24502-4535
19701	PHILIPS COMPONENTS DISCRETE PRODUCTS DIV RESISTIVE PRODUCTS FACILITY AIRPORT ROAD	PO BOX 760	MINERAL WELLS TX 76067-0760
21847	FEI MICROWAVE INC	825 STEWART DR	SUNNYVALE CA 94086-4514
22526	DU PONT E I DE NEMOURS AND CO INC DU PONT ELECTRONICS DEPT	515 FISHING CREEK RD	NEW CUMBERLAND PA 17070-3007
24165	SPRAGUE ELECTRIC CO	267 LOWELL ROAD	HUDSON NH 03051
24546	CORNING GLASS WORKS	550 HIGH ST	BRADFORD PA 16701-3737
25088	SIEMENS CORP	186 WOOD AVE S	ISELIN NJ 08830-2704
26364	COMPONENTS CORP	6 KINSEY PLACE	DENVILLE NJ 07834-2611
27014	NATIONAL SEMICONDUCTOR CORP	2900 SEMICONDUCTOR DR	SANTA CLARA CA 95051-0606
27264	MOLEX INC	2222 WELLINGTON COURT	LISLE IL 60532-1613
31223	MICRO PLASTICS INC	20821 DEARBORN ST	CHATSWORTH CA 91311-5916
32159	WEST-CAP ARIZONA SUB OF SFE TECHNOLOGIES	2201 E ELVIRA ROAD	TUCSON AZ 85706-7026
32997	BOURNS INC TRIMPOT DIV	1200 COLUMBIA AVE	RIVERSIDE CA 92507-2114
34630	K AND L/QUARTZTEK INC	3940 W MONTECITO	PHOENIX AZ 85019
54473	MATSUSHITA ELECTRIC CORP OF AMERICA	ONE PANASONIC WAY PO BOX 1501	SECAUCUS NJ 07094-2917
55680	NICHICON /AMERICA/ CORP	927 E STATE PKY	SCHAUMBURG IL 60195-4526
56708	ZILOG INC	1315 DELL AVE	CAMPBELL CA 95008-6609

## CROSS INDEX - MFR. CODE NUMBER TO MANUFACTURER

Mfr. Code	Manufacturer	Address	City, State, Zip Code
57668	ROHM CORP	8 WHATNEY PO BOX 19515	IRVINE CA 92713
57856	TELTEC INC	7890 12TH AVE SOUTH	MINNEAPOLIS MN 55425
59659	REMTEK CORP	46107 LANDING PKY	FREMONT CA 94538-6407
61429	FOX ELECTRONICS FOX ENTERPRISES INC	PO BOX 1078	CAPE CORAL FL 33910-1078
61529	AROMAT CORP	250 SHEFFIELD ST	MOUNTAINSIDE NJ 07092-2303
63058	MCKENZIE TECHNOLOGY	44370 OLD WARMS SPRINGS BLVD	FREMONT CA 94538
65249	BOGEN COMMUNICATIONS INC	50 SPRING STREET PO BOX 575	RAMSEY NJ 07446
71400	BUSSMANN DIV OF COOPER INDUSTRIES INC	114 OLD STATE RD PO BOX 14460	ST LOUIS MO 63178
71468	ITT CANNON DIV OF ITT CORP	666 E DYER RD	SANTA ANA CA 92702
71744	CHICAGO MINIATURE LAMP INC	CHEVY CHASE BUSINESS PARK 1080 JOHNSON DRIVE	BUFFALO GROVE IL 60089
72619	DIALIGHT CORP BROOKLYN DIV	203 HARRISON PL	BROOKLYN NY 11237-1587
72982	ERIE SPECIALTY PRODUCTS INC	645 W 11TH ST	ERIE PA 16512
73743	FISCHER SPECIAL MFG CO	111 INDUSTRIAL RD	COLD SPRING KY 41076-9749
75042	IRC ELECTRONIC COMPONENTS PHILADELPHIA DIV TRW FIXED RESISTORS	401 N BROAD ST	PHILADELPHIA PA 19108-1001
75498	MULTICOMP INC	3005 SW 154TH TERRACE #3	BEAVERTON OR 97006
78189	ILLINOIS TOOL WORKS INC SHAKEPROOF DIV	ST CHARLES ROAD	ELGIN IL 60120
80009	TEKTRONIX INC	14150 SW KARL BRAUN DR PO BOX 500	BEAVERTON OR 97077-0001
81073	GRAYHILL INC	561 HILLGROVE AVE PO BOX 10373	LA GRANGE IL 60525-5914
91506	AUGAT INC	33 PERRY AVE P O BOX 779	ATTLEBORO MA 02703-2417
91637	DALE ELECTRONICS INC	2064 12TH AVE PO BOX 609	COLUMBUS NE 68601-3632
93907	TEXTRON INC CAMCAR DIV	600 18TH AVE	ROCKFORD IL 61108-5181
98159	RUBBER TECK INC	19115 HAMILTON AVE PO BOX 389	GARDENA CA 90247
D5243	ROEDERSTEIN E SPEZIALFABRIK FUER KONDENSATOREN GMBH	LUDMILLASTRASSE 23-25	8300 LANDSHUT GERMANY
S3629	SCHURTER AG H C/O PANEL COMPONENTS CORP	2015 SECOND STREET	BERKELEY CA 94170
TK0260	MOTOROLA(COMPONENT PRODUCT DEPT)	2553 N EDGINGTON	FRANKLIN PARK IL 60731
TK0435	LEWIS SCREW CO	4300 S RACINE AVE	CHICAGO IL 60609-3320
TK0510	PANASONIC COMPANY DIV OF MATSUSHITA ELECTRIC CORP	ONE PANASONIC WAY	SECAUCUS NJ 07094
TK0515	ERICSSON COMPONENTS INC	403 INTERNATIONAL PKY PO BOX 853904	RICHARDSON TX 75085-3904
TK0858	STAUFFER SUPPLY CO (DIST)		
TK0935	MARQUARDT SWITCHES INC		
TK1066	STAR MICRONICS		
TK1134	TUSONIX INC	2155 N FORBES BLVD	TUCSON AZ 85705
TK1345	ZMAN & ASSOCIATES		
TK1441	GFS MANUFACTURING INC	6 PROGRESS DR PO BOX 1409	DOVER NH 03820
TK1483	TEKA PRODUCTS		
TK1913	WIMA THE INTER-TECHNICAL GROUP IND	ONE BRIDGE ST PO BOX 23	IRVINGTON NY 10533
TK2042	ZMAN & ASSOCIATES	7633 S 180TH	KENT WA 98032
TK2133	SCHAFFNER		

TSG 1001 - REPLACEABLE ELECTRICAL PARTS LIST

Component No.	Tektronix Part No.	Serial/Assembly No. Effective	Discnt	Name & Description	Mfr. Code	Mfr. Part No.
A1	671-0909-00			CIRCUIT BD ASSY:FRONT PANEL	80009	671-0909-00
A2	671-1693-00	B010100	B010161	CIRCUIT BD ASSY:OSCILLATOR	80009	671-1693-00
A2	671-1693-01	B010162	B010164	CIRCUIT BD ASSY:OSCILLATOR	80009	671-1693-01
A2	671-1693-02	B010165	B010203	CIRCUIT BD ASSY:OSCILLATOR	80009	671-1693-02
A2	671-1693-03	B010204		CIRCUIT BD ASSY:OSCILLATOR	80009	671-1693-03
A2A1	119-3893-02			OVEN ASSEMBLY:TSG1050 & TSG1250	80009	119-3893-02
A2A2	119-4088-00			OVEN ASSEMBLY:TSG1001	80009	119-4088-00
A2A3	671-1939-00			CIRCUIT BD ASSY:FILTER	80009	671-1939-00
A3	671-1789-02	B010100	B010116	CIRCUIT BD ASSY:OUTPUT	80009	671-1789-02
A3	671-1789-03	B010117	B010139	CIRCUIT BD ASSY:OUTPUT	80009	671-1789-03
A3	671-1789-04	B010140	B010231	CIRCUIT BD ASSY:OUTPUT	80009	671-1789-04
A3	671-1789-05	B010232		CIRCUIT BD ASSY:OUTPUT	80009	671-1789-05
A3A1	671-1343-00			CIRCUIT BD ASSY:FILTER	80009	671-1343-00
A3A2	671-1343-00			CIRCUIT BD ASSY:FILTER	80009	671-1343-00
A3A3	671-1343-00			CIRCUIT BD ASSY:FILTER	80009	671-1343-00
A3A4	119-3402-02			OVEN ASSEMBLY:TSG1125	80009	119-3402-02
A3A5	671-1939-00	B010100	B010102	CIRCUIT BD ASSY:FILTER	80009	671-1939-00
A3A5	671-1939-01	B010103		CIRCUIT BD ASSY:OSCILLATOR FILTER	80009	671-1939-01
A3A6	671-2277-00	671-1789-05		CIRCUIT BD ASSY:ANALOG DELAY	80009	671-2277-00
A3A7	671-2278-00			CIRCUIT BD ASSY:DIGITAL DELAY	80009	671-2278-00
A4	671-0912-02			CIRCUIT BD ASSY:POWER SUPPLY	80009	671-0912-02
A5	671-0911-03			CIRCUIT BD ASSY:CONTROLLER	80009	671-0911-03
A6	671-1671-02	B010100	B010175	CIRCUIT BD ASSY:DIGITAL OUTPUT	80009	671-1671-02
A6	671-1671-03	B010176	B010231	CIRCUIT BD ASSY:DIGITAL OUTPUT	80009	671-1671-03
A6	671-1671-04	B010232		CIRCUIT BD ASSY:DIGITAL OUT	80009	671-1671-04
A7	671-1672-02	B010100	B010116	CIRCUIT BD ASSY:PEDESTAL	80009	671-1672-02
A7	671-1672-03	B010117		CIRCUIT BD ASSY:PEDESTAL	80009	671-1672-03
A8	671-1345-00			CIRCUIT BD ASSY:CLOCK INPUT	80009	671-1345-00
A9	119-3827-00			DISPLAY,ELEC:VACUUM FLORESCENT	80009	119-3827-00
A17	671-2028-00	B010100	B010137	CIRCUIT BD ASSY:RAM/LINE EXTENDER	80009	671-2028-00
A17	671-2028-01	B010138	B010186	CIRCUIT BD ASSY:RAM/LINE EXTENDER	80009	671-2028-01
A17	671-2028-02	B010187	B010199	CIRCUIT BD ASSY:RAM/LINE EXTENDER	80009	671-2028-02
A17	671-2028-03	B010200	B010218	CIRCUIT BD ASSY:RAM/LINE EXTENDER	80009	671-2028-03
A17	671-2028-04	B010219		CIRCUIT BD ASSY:RAM/LINE EXTENDER (OPTION 07 ONLY)	80009	671-2028-04
A17A1	671-1995-00			CIRCUIT BD ASSY:LINE EXTENDER (OPTION 07 ONLY)	80009	671-1995-00
A31	671-1456-01			CIRCUIT BD ASSY:ZONE PLATE (OPTION 21 ONLY)	80009	671-1456-01
A1	671-0909-00			CIRCUIT BD ASSY:FRONT PANEL	80009	671-0909-00
A1DS29	150-1049-00			LT EMITTING DIO:RED/GREEN	72619	521-9354
A1P302	174-1771-00			CA ASSY,SP,ELEC:34,28 AWG,6.75 L,RIBBON	80009	174-1771-00
A1P402	174-1771-00			CA ASSY,SP,ELEC:34,28 AWG,6.75 L,RIBBON	80009	174-1771-00
A1S1	260-2442-00			SWITCH,PUSH:MOM,W/GREEN LED,2.2V,3-10 MA *ATTACHED PARTS*	80009	260-2442-00
	366-0671-00			PUSH BUTTON:W/LENS,HL20-1101 *END ATTACHED PARTS*	80009	366-0671-00
A1S2	260-2442-00			SWITCH,PUSH:MOM,W/GREEN LED,2.2V,3-10 MA *ATTACHED PARTS*	80009	260-2442-00
	366-0671-00			PUSH BUTTON:W/LENS,HL20-1101 *END ATTACHED PARTS*	80009	366-0671-00
A1S3	260-2442-00			SWITCH,PUSH:MOM,W/GREEN LED,2.2V,3-10 MA *ATTACHED PARTS*	80009	260-2442-00
	366-0671-00			PUSH BUTTON:W/LENS,HL20-1101 *END ATTACHED PARTS*	80009	366-0671-00
A1S4	260-2442-00			SWITCH,PUSH:MOM,W/GREEN LED,2.2V,3-10 MA *ATTACHED PARTS*	80009	260-2442-00
	366-0671-00			PUSH BUTTON:W/LENS,HL20-1101 *END ATTACHED PARTS*	80009	366-0671-00

Component No.	Tektronix Part No.	Serial/Assembly No. Effective Dscnt	Name & Description	Mfr. Code	Mfr. Part No.
A1S5	260-2442-00		SWITCH,PUSH:MOM,W/GREEN LED,2.2V,3-10 MA *ATTACHED PARTS*	80009	260-2442-00
	366-0671-00		PUSH BUTTON:W/LENS,HL20-1101 *END ATTACHED PARTS*	80009	366-0671-00
A1S6	260-2442-00		SWITCH,PUSH:MOM,W/GREEN LED,2.2V,3-10 MA *ATTACHED PARTS*	80009	260-2442-00
	366-0671-00		PUSH BUTTON:W/LENS,HL20-1101 *END ATTACHED PARTS*	80009	366-0671-00
A1S7	260-2442-00		SWITCH,PUSH:MOM,W/GREEN LED,2.2V,3-10 MA *ATTACHED PARTS*	80009	260-2442-00
	366-0671-00		PUSH BUTTON:W/LENS,HL20-1101 *END ATTACHED PARTS*	80009	366-0671-00
A1S8	260-2442-00		SWITCH,PUSH:MOM,W/GREEN LED,2.2V,3-10 MA *ATTACHED PARTS*	80009	260-2442-00
	366-0671-00		PUSH BUTTON:W/LENS,HL20-1101 *END ATTACHED PARTS*	80009	366-0671-00
A1S9	260-2442-00		SWITCH,PUSH:MOM,W/GREEN LED,2.2V,3-10 MA *ATTACHED PARTS*	80009	260-2442-00
	366-0671-00		PUSH BUTTON:W/LENS,HL20-1101 *END ATTACHED PARTS*	80009	366-0671-00
A1S10	260-2442-00		SWITCH,PUSH:MOM,W/GREEN LED,2.2V,3-10 MA *ATTACHED PARTS*	80009	260-2442-00
	366-0671-00		PUSH BUTTON:W/LENS,HL20-1101 *END ATTACHED PARTS*	80009	366-0671-00
A1S11	260-2442-00		SWITCH,PUSH:MOM,W/GREEN LED,2.2V,3-10 MA *ATTACHED PARTS*	80009	260-2442-00
	366-0671-00		PUSH BUTTON:W/LENS,HL20-1101 *END ATTACHED PARTS*	80009	366-0671-00
A1S12	260-2442-00		SWITCH,PUSH:MOM,W/GREEN LED,2.2V,3-10 MA *ATTACHED PARTS*	80009	260-2442-00
	366-0671-00		PUSH BUTTON:W/LENS,HL20-1101 *END ATTACHED PARTS*	80009	366-0671-00
A1S13	260-2442-00		SWITCH,PUSH:MOM,W/GREEN LED,2.2V,3-10 MA *ATTACHED PARTS*	80009	260-2442-00
	366-0671-00		PUSH BUTTON:W/LENS,HL20-1101 *END ATTACHED PARTS*	80009	366-0671-00
A1S14	260-2442-00		SWITCH,PUSH:MOM,W/GREEN LED,2.2V,3-10 MA *ATTACHED PARTS*	80009	260-2442-00
	366-0671-00		PUSH BUTTON:W/LENS,HL20-1101 *END ATTACHED PARTS*	80009	366-0671-00
A1S15	260-2442-00		SWITCH,PUSH:MOM,W/GREEN LED,2.2V,3-10 MA *ATTACHED PARTS*	80009	260-2442-00
	366-0671-00		PUSH BUTTON:W/LENS,HL20-1101 *END ATTACHED PARTS*	80009	366-0671-00
A1S17	260-2442-00		SWITCH,PUSH:MOM,W/GREEN LED,2.2V,3-10 MA *ATTACHED PARTS*	80009	260-2442-00
	366-0671-00		PUSH BUTTON:W/LENS,HL20-1101 *END ATTACHED PARTS*	80009	366-0671-00
A1S18	260-2442-00		SWITCH,PUSH:MOM,W/GREEN LED,2.2V,3-10 MA *ATTACHED PARTS*	80009	260-2442-00
	366-0671-00		PUSH BUTTON:W/LENS,HL20-1101 *END ATTACHED PARTS*	80009	366-0671-00
A1S19	260-2442-00		SWITCH,PUSH:MOM,W/GREEN LED,2.2V,3-10 MA *ATTACHED PARTS*	80009	260-2442-00
	366-0671-00		PUSH BUTTON:W/LENS,HL20-1101 *END ATTACHED PARTS*	80009	366-0671-00
A1S23	260-2442-00		SWITCH,PUSH:MOM,W/GREEN LED,2.2V,3-10 MA *ATTACHED PARTS*	80009	260-2442-00
	366-0671-00		PUSH BUTTON:W/LENS,HL20-1101 *END ATTACHED PARTS*	80009	366-0671-00
A1S24	260-2442-00		SWITCH,PUSH:MOM,W/GREEN LED,2.2V,3-10 MA *ATTACHED PARTS*	80009	260-2442-00
	366-0671-00		PUSH BUTTON:W/LENS,HL20-1101	80009	366-0671-00

TS6 1001 - REPLACEABLE ELECTRICAL PARTS LIST

Component No.	Tektronix Part No.	Serial/Assembly No. Effective	Discort	Name & Description	Mfr. Code	Mfr. Part No.
				*END ATTACHED PARTS*		
A1S25	260-2442-00			SWITCH,PUSH:MOM,W/GREEN LED,2.2V,3-10 MA	80009	260-2442-00
	366-0671-00			*ATTACHED PARTS*		
				PUSH BUTTON:W/LENS,HL20-1101	80009	366-0671-00
A1S26	260-2442-00			*END ATTACHED PARTS*		
				SWITCH,PUSH:MOM,W/GREEN LED,2.2V,3-10 MA	80009	260-2442-00
	366-0671-00			*ATTACHED PARTS*		
				PUSH BUTTON:W/LENS,HL20-1101	80009	366-0671-00
A1S33	311-2193-00			*END ATTACHED PARTS*		
				ENCODER,DIGITAL:INCREMENTAL,2 CHAN,50PPR/CH	TK0510	EWT-XAK01950B
	210-0978-00			*MOUNTING PARTS*		
	220-0495-00			WASHER,FLAT:0.375 ID X 0.5 OD X 0.024,STL	12327	ORDER BY DESCR
				NUT,PLAIN,HEX:0.375-32 X 0.438 HEX,BRS,CD P	73743	ORDER BY DESCR
				L		
				*END MOUNTING PARTS*		
A2	671-1693-00	B010100	B010161	CIRCUIT BD ASSY:OSCILLATOR	80009	671-1693-00
A2	671-1693-01	B010162	B010164	CIRCUIT BD ASSY:OSCILLATOR	80009	671-1693-01
A2	671-1693-02	B010165	B010203	CIRCUIT BD ASSY:OSCILLATOR	80009	671-1693-02
A2	671-1693-03	B010204		CIRCUIT BD ASSY:OSCILLATOR	80009	671-1693-03
				*ATTACHED PARTS*		
	337-3756-00	671-1693-01		SHIELD,ELEC:TSG1001	80009	337-3756-00
				*END ATTACHED PARTS*		
A2C165	290-0973-00			CAP,FXD,ELCLTL:100UF,20%,25VDC	24165	513D107M025BB4D
A2C168	290-0973-00			CAP,FXD,ELCLTL:100UF,20%,25VDC	24165	513D107M025BB4D
A2C600	281-0775-01			CAP,FXD,CER DI:0.1UF,20%,50V	04222	SA105E104MAA
A2C601	290-0974-00			CAP,FXD,ELCLTL:10UF,20%,50VDC	55680	UVX1H100MAA
A2C602	281-0775-01			CAP,FXD,CER DI:0.1UF,20%,50V	04222	SA105E104MAA
A2C603	281-0775-01			CAP,FXD,CER DI:0.1UF,20%,50V	04222	SA105E104MAA
A2C700	281-0775-01			CAP,FXD,CER DI:0.1UF,20%,50V	04222	SA105E104MAA
A2C701	290-0974-00			CAP,FXD,ELCLTL:10UF,20%,50VDC	55680	UVX1H100MAA
A2C702	281-0775-01			CAP,FXD,CER DI:0.1UF,20%,50V	04222	SA105E104MAA
A2C703	281-0775-01			CAP,FXD,CER DI:0.1UF,20%,50V	04222	SA105E104MAA
A2C800	283-0330-00	671-1693-00	671-1693-02	CAP,FXD,CER DI:100PF,5%,50V	05397	C320C101J5R5CA
A2C800	281-0775-01	671-1693-03		CAP,FXD,CER DI:0.1UF,20%,50V	04222	SA105E104MAA
A2C801	281-0775-01			CAP,FXD,CER DI:0.1UF,20%,50V	04222	SA105E104MAA
A2C802	281-0775-01			CAP,FXD,CER DI:0.1UF,20%,50V	04222	SA105E104MAA
A2C803	283-0644-00			CAP,FXD,MICA DI:150PF,1%,500V	80009	283-0644-00
A2C804	281-0775-01			CAP,FXD,CER DI:0.1UF,20%,50V	04222	SA105E104MAA
A2C805	281-0775-01			CAP,FXD,CER DI:0.1UF,20%,50V	04222	SA105E104MAA
A2C806	281-0775-01			CAP,FXD,CER DI:0.1UF,20%,50V	04222	SA105E104MAA
A2C807	281-0775-01	671-1693-03		CAP,FXD,CER DI:0.1UF,20%,50V	04222	SA105E104MAA
A2C812	281-0775-01			CAP,FXD,CER DI:0.1UF,20%,50V	04222	SA105E104MAA
A2C817	281-0775-01			CAP,FXD,CER DI:0.1UF,20%,50V	04222	SA105E104MAA
A2C818	281-0775-01			CAP,FXD,CER DI:0.1UF,20%,50V	04222	SA105E104MAA
A2C819	281-0775-01			CAP,FXD,CER DI:0.1UF,20%,50V	04222	SA105E104MAA
A2C820	281-0775-01			CAP,FXD,CER DI:0.1UF,20%,50V	04222	SA105E104MAA
A2C821	281-0775-01			CAP,FXD,CER DI:0.1UF,20%,50V	04222	SA105E104MAA
A2C822	281-0775-01			CAP,FXD,CER DI:0.1UF,20%,50V	04222	SA105E104MAA
A2C823	281-0775-01			CAP,FXD,CER DI:0.1UF,20%,50V	04222	SA105E104MAA
A2C900	281-0775-01			CAP,FXD,CER DI:0.1UF,20%,50V	04222	SA105E104MAA
A2C902	281-0775-01			CAP,FXD,CER DI:0.1UF,20%,50V	04222	SA105E104MAA
A2C1200	281-0775-01			CAP,FXD,CER DI:0.1UF,20%,50V	04222	SA105E104MAA
A2C1201	283-0642-00			CAP,FXD,MICA DI:33PF,+/-0.5PF,500V	00853	D105E330G0
A2C1202	281-0775-01			CAP,FXD,CER DI:0.1UF,20%,50V	04222	SA105E104MAA
A2C1203	281-0775-01			CAP,FXD,CER DI:0.1UF,20%,50V	04222	SA105E104MAA
A2C1220	290-0974-00			CAP,FXD,ELCLTL:10UF,20%,50VDC	55680	UVX1H100MAA
A2C1221	281-0775-01			CAP,FXD,CER DI:0.1UF,20%,50V	04222	SA105E104MAA
A2C1222	281-0775-01			CAP,FXD,CER DI:0.1UF,20%,50V	04222	SA105E104MAA
A2C1300	281-0775-01			CAP,FXD,CER DI:0.1UF,20%,50V	04222	SA105E104MAA
A2C1301	281-0775-01			CAP,FXD,CER DI:0.1UF,20%,50V	04222	SA105E104MAA





TSG 1001 - REPLACEABLE ELECTRICAL PARTS LIST

Component No.	Tektronix Part No.	Serial/Assembly No. Effective Discort	Name & Description	Mfr. Code	Mfr. Part No.
A2C1369	281-0775-01		CAP,FXD,CER DI:0.1UF,20%,50V	04222	SA105E104MAA
A2C1370	281-0775-01		CAP,FXD,CER DI:0.1UF,20%,50V	04222	SA105E104MAA
A2C1371	281-0775-01		CAP,FXD,CER DI:0.1UF,20%,50V	04222	SA105E104MAA
A2C1372	281-0775-01		CAP,FXD,CER DI:0.1UF,20%,50V	04222	SA105E104MAA
A2C1373	281-0775-01		CAP,FXD,CER DI:0.1UF,20%,50V	04222	SA105E104MAA
A2C1374	281-0775-01		CAP,FXD,CER DI:0.1UF,20%,50V	04222	SA105E104MAA
A2C1375	281-0775-01		CAP,FXD,CER DI:0.1UF,20%,50V	04222	SA105E104MAA
A2C1376	281-0775-01		CAP,FXD,CER DI:0.1UF,20%,50V	04222	SA105E104MAA
A2C1377	281-0775-01		CAP,FXD,CER DI:0.1UF,20%,50V	04222	SA105E104MAA
A2C1378	281-0775-01		CAP,FXD,CER DI:0.1UF,20%,50V	04222	SA105E104MAA
A2C1379	281-0775-01		CAP,FXD,CER DI:0.1UF,20%,50V	04222	SA105E104MAA
A2C1397	281-0775-01		CAP,FXD,CER DI:0.1UF,20%,50V	04222	SA105E104MAA
A2C1402	281-0775-01		CAP,FXD,CER DI:0.1UF,20%,50V	04222	SA105E104MAA
A2C1403	281-0775-01		CAP,FXD,CER DI:0.1UF,20%,50V	04222	SA105E104MAA
A2C1404	281-0775-01		CAP,FXD,CER DI:0.1UF,20%,50V	04222	SA105E104MAA
A2C1405	281-0775-01		CAP,FXD,CER DI:0.1UF,20%,50V	04222	SA105E104MAA
A2C1406	281-0775-01		CAP,FXD,CER DI:0.1UF,20%,50V	04222	SA105E104MAA
A2C1407	281-0775-01		CAP,FXD,CER DI:0.1UF,20%,50V	04222	SA105E104MAA
A2C1408	281-0775-01		CAP,FXD,CER DI:0.1UF,20%,50V	04222	SA105E104MAA
A2C1409	281-0775-01		CAP,FXD,CER DI:0.1UF,20%,50V	04222	SA105E104MAA
A2C1410	281-0775-01		CAP,FXD,CER DI:0.1UF,20%,50V	04222	SA105E104MAA
A2C1411	281-0775-01		CAP,FXD,CER DI:0.1UF,20%,50V	04222	SA105E104MAA
A2C1412	281-0775-01		CAP,FXD,CER DI:0.1UF,20%,50V	04222	SA105E104MAA
A2C1413	281-0775-01		CAP,FXD,CER DI:0.1UF,20%,50V	04222	SA105E104MAA
A2C1414	281-0775-01		CAP,FXD,CER DI:0.1UF,20%,50V	04222	SA105E104MAA
A2C1415	281-0775-01		CAP,FXD,CER DI:0.1UF,20%,50V	04222	SA105E104MAA
A2C1416	281-0775-01		CAP,FXD,CER DI:0.1UF,20%,50V	04222	SA105E104MAA
A2C1417	281-0775-01		CAP,FXD,CER DI:0.1UF,20%,50V	04222	SA105E104MAA
A2C1418	281-0775-01		CAP,FXD,CER DI:0.1UF,20%,50V	04222	SA105E104MAA
A2C1419	281-0775-01		CAP,FXD,CER DI:0.1UF,20%,50V	04222	SA105E104MAA
A2C1420	290-0973-00		CAP,FXD,ELCTLT:100UF,20%,25VDC	24165	513D107M025BB4D
A2C1421	290-0973-00		CAP,FXD,ELCTLT:100UF,20%,25VDC	24165	513D107M025BB4D
A2C1422	290-0973-00		CAP,FXD,ELCTLT:100UF,20%,25VDC	24165	513D107M025BB4D
A2C1423	290-0973-00		CAP,FXD,ELCTLT:100UF,20%,25VDC	24165	513D107M025BB4D
A2CR800	152-0141-02		DIODE,SIG:,ULTRA FAST;40V,150MA,4NS,2PF;1N4152,DO-35,TR	80009	152-0141-02
A2CR801	152-0141-02		DIODE,SIG:,ULTRA FAST;40V,150MA,4NS,2PF;1N4152,DO-35,TR	80009	152-0141-02
A2CR802	152-0141-02		DIODE,SIG:,ULTRA FAST;40V,150MA,4NS,2PF;1N4152,DO-35,TR	80009	152-0141-02
A2CR803	152-0141-02		DIODE,SIG:,ULTRA FAST;40V,150MA,4NS,2PF;1N4152,DO-35,TR	80009	152-0141-02
A2CR804	152-0725-00		SEMICON DVC,DI:SI,SCHOTTKY,20V,1.2PF,DO-35	21847	A2X1582
A2CR805	152-0725-00		SEMICON DVC,DI:SI,SCHOTTKY,20V,1.2PF,DO-35	21847	A2X1582
A2CR806	152-0725-00		SEMICON DVC,DI:SI,SCHOTTKY,20V,1.2PF,DO-35	21847	A2X1582
A2CR807	152-0725-00		SEMICON DVC,DI:SI,SCHOTTKY,20V,1.2PF,DO-35	21847	A2X1582
A2CR808	152-0728-00		SEMICON DVC,DI:SW,SI,DO-35	80009	152-0728-00
A2CR809	152-0728-00		SEMICON DVC,DI:SW,SI,DO-35	80009	152-0728-00
A2CR810	152-0728-00		SEMICON DVC,DI:SW,SI,DO-35	80009	152-0728-00
A2DL900	119-1380-00		DELAY LINE,ELEC:10NS,100 OHM,TAPPED,7 SIP	80009	119-1380-00
A2DL901	119-1380-00		DELAY LINE,ELEC:10NS,100 OHM,TAPPED,7 SIP	80009	119-1380-00
A2DL910	119-1380-00		DELAY LINE,ELEC:10NS,100 OHM,TAPPED,7 SIP	80009	119-1380-00
A2DL911	119-1380-00		DELAY LINE,ELEC:10NS,100 OHM,TAPPED,7 SIP	80009	119-1380-00
A2DS600	150-1017-00		LT EMITTING DIO:GREEN,550NM,55MA MAX	80009	150-1017-00
A2DS700	150-1017-00		LT EMITTING DIO:GREEN,550NM,55MA MAX	80009	150-1017-00
A2J1	131-3364-00		CONN,HDR:	80009	131-3364-00
A2J2	131-3364-00		CONN,HDR:	80009	131-3364-00
A2J14	131-3323-00		CONN,HDR:	22526	66506-025
A2J15	131-3323-00		CONN,HDR:	22526	66506-025

Component No.	Tektronix Part No.	Serial/Assembly No. Effective Dscort	Name & Description	Mfr. Code	Mfr. Part No.
A2J16	131-3323-00		CONN, HDR:	22526	66506-025
A2J17	131-3323-00		CONN, HDR:	22526	66506-025
A2J18	131-3323-00		CONN, HDR:	22526	66506-025
A2J19	131-3364-00		CONN, HDR:	80009	131-3364-00
A2J20	131-3323-00		CONN, HDR:	22526	66506-025
A2J21	131-3323-00		CONN, HDR:	22526	66506-025
A2J22	131-3323-00		CONN, HDR:	22526	66506-025
A2J600	131-0787-00		TERMINAL, PIN: (QUANTITY 5)	80009	131-0787-00
A2J601	131-0608-00		TERMINAL, PIN: 0.365 L X 0.025 BRZ GLD PL (QUANTITY 3)	80009	131-0608-00
A2J700	131-0787-00		TERMINAL, PIN: (QUANTITY 5)	80009	131-0787-00
A2J701	131-0608-00		TERMINAL, PIN: 0.365 L X 0.025 BRZ GLD PL (QUANTITY 3)	80009	131-0608-00
A2J800	131-0608-00		TERMINAL, PIN: 0.365 L X 0.025 BRZ GLD PL (QUANTITY 3)	80009	131-0608-00
A2J920	131-0608-00		TERMINAL, PIN: 0.365 L X 0.025 BRZ GLD PL (QUANTITY 3)	80009	131-0608-00
A2J921	131-0608-00		TERMINAL, PIN: 0.365 L X 0.025 BRZ GLD PL (QUANTITY 3)	80009	131-0608-00
A2J922	131-0787-00		TERMINAL, PIN: (QUANTITY 5)	80009	131-0787-00
A2J923	131-0787-00		TERMINAL, PIN: (QUANTITY 5)	80009	131-0787-00
A2L600	108-0249-00		CHOKE, RF: FIXED, 12MF	04072	B-4992
A2L700	108-0249-00		CHOKE, RF: FIXED, 12MF	04072	B-4992
A2L800	108-0725-00		CHOKE, RF: FIXED, 6MH	08116	IN-0006
A2L801	108-1112-00		COIL, RF: FIXED 170UH	80009	108-1112-00
A2L802	108-0212-00		COIL, RF: FIXED, 495NH	80009	108-0212-00
A2L803	108-0212-00		COIL, RF: FIXED, 495NH	80009	108-0212-00
A2L804	108-0212-00		COIL, RF: FIXED, 495NH	80009	108-0212-00
A2L806	108-0212-00		COIL, RF: FIXED, 495NH	80009	108-0212-00
A2L807	108-0212-00		COIL, RF: FIXED, 495NH	80009	108-0212-00
A2L808	108-0212-00		COIL, RF: FIXED, 495NH	80009	108-0212-00
A2L809	108-0212-00		COIL, RF: FIXED, 495NH	80009	108-0212-00
A2Q100	151-0190-00		TRANSISTOR, SIG: BIPOLAR, NPN; 40V, 200MA, 300MHZ , AMPLIFIER; 2N3904, TO-92 EBC	80009	151-0190-00
A2Q101	151-0190-00		TRANSISTOR, SIG: BIPOLAR, NPN; 40V, 200MA, 300MHZ , AMPLIFIER; 2N3904, TO-92 EBC	80009	151-0190-00
A2Q102	151-0188-00		TRANSISTOR, SIG: BIPOLAR, PNP; 40V, 200MA, 250MHZ , AMPLIFIER; 2N3906, TO-92 EBC	80009	151-0188-00
A2Q600	151-0190-00		TRANSISTOR, SIG: BIPOLAR, NPN; 40V, 200MA, 300MHZ , AMPLIFIER; 2N3904, TO-92 EBC	80009	151-0190-00
A2Q601	151-0188-00		TRANSISTOR, SIG: BIPOLAR, PNP; 40V, 200MA, 250MHZ , AMPLIFIER; 2N3906, TO-92 EBC	80009	151-0188-00
A2Q602	151-0656-00		TRANSISTOR: DARLINGTON, NPN, SI, TO-220	80009	151-0656-00
A2Q700	151-0190-00		TRANSISTOR, SIG: BIPOLAR, NPN; 40V, 200MA, 300MHZ , AMPLIFIER; 2N3904, TO-92 EBC	80009	151-0190-00
A2Q701	151-0188-00		TRANSISTOR, SIG: BIPOLAR, PNP; 40V, 200MA, 250MHZ , AMPLIFIER; 2N3906, TO-92 EBC	80009	151-0188-00
A2Q702	151-0656-00		TRANSISTOR: DARLINGTON, NPN, SI, TO-220	80009	151-0656-00
A2Q1200	151-0190-00		TRANSISTOR, SIG: BIPOLAR, NPN; 40V, 200MA, 300MHZ , AMPLIFIER; 2N3904, TO-92 EBC	80009	151-0190-00
A2Q1201	151-0188-00		TRANSISTOR, SIG: BIPOLAR, PNP; 40V, 200MA, 250MHZ , AMPLIFIER; 2N3906, TO-92 EBC	80009	151-0188-00
A2R100	322-3289-00		RES, FXD, FILM: 10K OHM, 1%, 0.2W, TC=TO	80009	322-3289-00
A2R101	322-3289-00		RES, FXD, FILM: 10K OHM, 1%, 0.2W, TC=TO	80009	322-3289-00
A2R102	322-3001-00		RES, FXD, FILM: 10 OHM, 1%, 0.2W, TC=TO	80009	322-3001-00
A2R103	322-3289-00		RES, FXD, FILM: 10K OHM, 1%, 0.2W, TC=TO	80009	322-3289-00

TSG 1001 - REPLACEABLE ELECTRICAL PARTS LIST

Component No.	Tektronix Part No.	Serial/Assembly No. Effective	Discort	Name & Description	Mfr. Code	Mfr. Part No.
A2R200	322-3260-00			RES,FXD,FILM:4.99K OHM,1%,0.2W,TC=TO	57668	CRB20 FXE 4K99
A2R201	322-3097-00			RES,FXD,FILM:100 OHM,1%,0.2W,TC=TO	57668	CRB20 FXE 100E
A2R202	322-3097-00			RES,FXD,FILM:100 OHM,1%,0.2W,TC=TO	57668	CRB20 FXE 100E
A2R203	307-0486-00			RES NTWK,FXD,FI:100 OHM,20%,1.125W	80009	307-0486-00
A2R204	322-3097-00			RES,FXD,FILM:100 OHM,1%,0.2W,TC=TO	57668	CRB20 FXE 100E
A2R205	322-3097-00			RES,FXD,FILM:100 OHM,1%,0.2W,TC=TO	57668	CRB20 FXE 100E
A2R206	322-3097-00			RES,FXD,FILM:100 OHM,1%,0.2W,TC=TO	57668	CRB20 FXE 100E
A2R207	307-0486-00			RES NTWK,FXD,FI:100 OHM,20%,1.125W	80009	307-0486-00
A2R208	322-3097-00			RES,FXD,FILM:100 OHM,1%,0.2W,TC=TO	57668	CRB20 FXE 100E
A2R209	322-3097-00			RES,FXD,FILM:100 OHM,1%,0.2W,TC=TO	57668	CRB20 FXE 100E
A2R210	322-3097-00	671-1693-00	671-1693-01	RES,FXD,FILM:100 OHM,1%,0.2W,TC=TO	57668	CRB20 FXE 100E
A2R210	322-3069-00	671-1693-02		RES,FXD,FILM:51.1 OHM,1%,0.2W,TC=TO	80009	322-3069-00
A2R211	322-3097-00			RES,FXD,FILM:100 OHM,1%,0.2W,TC=TO	57668	CRB20 FXE 100E
A2R300	322-3246-00			RES,FXD,FILM:3.57K OHM,1%,0.2W,TC=TO	80009	322-3246-00
A2R410	307-0486-00			RES NTWK,FXD,FI:100 OHM,20%,1.125W	80009	307-0486-00
A2R412	307-0486-00			RES NTWK,FXD,FI:100 OHM,20%,1.125W	80009	307-0486-00
A2R414	307-0486-00			RES NTWK,FXD,FI:100 OHM,20%,1.125W	80009	307-0486-00
A2R416	307-0486-00			RES NTWK,FXD,FI:100 OHM,20%,1.125W	80009	307-0486-00
A2R418	307-0486-00			RES NTWK,FXD,FI:100 OHM,20%,1.125W	80009	307-0486-00
A2R420	307-0486-00			RES NTWK,FXD,FI:100 OHM,20%,1.125W	80009	307-0486-00
A2R422	307-0486-00			RES NTWK,FXD,FI:100 OHM,20%,1.125W	80009	307-0486-00
A2R424	307-0486-00			RES NTWK,FXD,FI:100 OHM,20%,1.125W	80009	307-0486-00
A2R426	307-0486-00			RES NTWK,FXD,FI:100 OHM,20%,1.125W	80009	307-0486-00
A2R428	307-0486-00			RES NTWK,FXD,FI:100 OHM,20%,1.125W	80009	307-0486-00
A2R530	307-0486-00			RES NTWK,FXD,FI:100 OHM,20%,1.125W	80009	307-0486-00
A2R532	307-0486-00			RES NTWK,FXD,FI:100 OHM,20%,1.125W	80009	307-0486-00
A2R534	307-0486-00			RES NTWK,FXD,FI:100 OHM,20%,1.125W	80009	307-0486-00
A2R536	307-0486-00			RES NTWK,FXD,FI:100 OHM,20%,1.125W	80009	307-0486-00
A2R538	307-0486-00			RES NTWK,FXD,FI:100 OHM,20%,1.125W	80009	307-0486-00
A2R600	307-0503-00			RES NTWK,FXD,FI:(9) 510 OHM,20%,0.125W	91637	CSC10A01511GD03
A2R602	307-0503-00			RES NTWK,FXD,FI:(9) 510 OHM,20%,0.125W	91637	CSC10A01511GD03
A2R604	307-0503-00			RES NTWK,FXD,FI:(9) 510 OHM,20%,0.125W	91637	CSC10A01511GD03
A2R606	307-0503-00			RES NTWK,FXD,FI:(9) 510 OHM,20%,0.125W	91637	CSC10A01511GD03
A2R610	322-3289-00			RES,FXD,FILM:10K OHM,1%,0.2W,TC=TO	80009	322-3289-00
A2R611	322-3289-00			RES,FXD,FILM:10K OHM,1%,0.2W,TC=TO	80009	322-3289-00
A2R612	322-3289-00			RES,FXD,FILM:10K OHM,1%,0.2W,TC=TO	80009	322-3289-00
A2R613	322-3289-00			RES,FXD,FILM:10K OHM,1%,0.2W,TC=TO	80009	322-3289-00
A2R614	322-3426-00			RES,FXD,FILM:267K OHM,1%,0.2W,TC=TO	91637	CCF50-2F26702F
A2R615	322-3335-00			RES,FXD,FILM:30.1K OHM,1%,0.2W,TC=TO	57668	CRB20 FXE 30K1
A2R616	322-3289-00			RES,FXD,FILM:10K OHM,1%,0.2W,TC=TO	80009	322-3289-00
A2R617	322-3324-00			RES,FXD,FILM:23.2K OHM,1%,0.2W,TC=TO	91637	CCF50-2F23201F
A2R618	322-3165-00			RES,FXD,FILM:511 OHM,1%,0.2W,TC=TO	57668	CRB20 FXE 511E
A2R619	308-0677-00			RES,FXD,WW:1 OHM,5%,2W	75042	ORDER BY DESC
A2R620	322-3414-00			RES,FXD,FILM:200K OHM,1%,0.2W,TC=TO	91637	CCF501G20002F
A2R621	322-3354-00			RES,FXD,FILM:47.5K OHM,1%,0.2W,TC=TO	80009	322-3354-00
A2R622	322-3193-00			RES,FXD,FILM:1K OHM,1%,0.2W,TC=TO	57668	CRB20 FXE 1K00
A2R700	307-0503-00			RES NTWK,FXD,FI:(9) 510 OHM,20%,0.125W	91637	CSC10A01511GD03
A2R702	307-0503-00			RES NTWK,FXD,FI:(9) 510 OHM,20%,0.125W	91637	CSC10A01511GD03
A2R704	307-0503-00			RES NTWK,FXD,FI:(9) 510 OHM,20%,0.125W	91637	CSC10A01511GD03
A2R706	307-0503-00			RES NTWK,FXD,FI:(9) 510 OHM,20%,0.125W	91637	CSC10A01511GD03
A2R710	322-3289-00			RES,FXD,FILM:10K OHM,1%,0.2W,TC=TO	80009	322-3289-00
A2R711	322-3289-00			RES,FXD,FILM:10K OHM,1%,0.2W,TC=TO	80009	322-3289-00
A2R712	322-3289-00			RES,FXD,FILM:10K OHM,1%,0.2W,TC=TO	80009	322-3289-00
A2R713	322-3289-00			RES,FXD,FILM:10K OHM,1%,0.2W,TC=TO	80009	322-3289-00
A2R714	322-3426-00			RES,FXD,FILM:267K OHM,1%,0.2W,TC=TO	91637	CCF50-2F26702F
A2R715	322-3335-00			RES,FXD,FILM:30.1K OHM,1%,0.2W,TC=TO	57668	CRB20 FXE 30K1
A2R716	322-3289-00			RES,FXD,FILM:10K OHM,1%,0.2W,TC=TO	80009	322-3289-00
A2R717	322-3324-00			RES,FXD,FILM:23.2K OHM,1%,0.2W,TC=TO	91637	CCF50-2F23201F
A2R718	322-3165-00			RES,FXD,FILM:511 OHM,1%,0.2W,TC=TO	57668	CRB20 FXE 511E

Component No.	Tektronix Part No.	Serial/Assembly No. Effective	Dscont	Name & Description	Mfr. Code	Mfr. Part No.
A2R719	308-0677-00			RES, FXD, WW: 1 OHM, 5%, 2W	75042	ORDER BY DESC
A2R720	322-3414-00			RES, FXD, FILM: 200K OHM, 1%, 0.2W, TC=TO	91637	CCF501G20002F
A2R721	322-3354-00			RES, FXD, FILM: 47.5K OHM, 1%, 0.2W, TC=TO	80009	322-3354-00
A2R722	322-3193-00			RES, FXD, FILM: 1K OHM, 1%, 0.2W, TC=TO	57668	CRB20 FXE 1K00
A2R800	322-3165-00			RES, FXD, FILM: 511 OHM, 1%, 0.2W, TC=TO	57668	CRB20 FXE 511E
A2R801	301-0111-00			RES, FXD, FILM: 110 OHM, 5%, 0.50W	19701	5053CX110R0J
A2R802	322-3201-00			RES, FXD, FILM: 1.21K OHM, 1%, 0.2W, TC=TO	80009	322-3201-00
A2R803	307-0486-00			RES NTWK, FXD, FI: 100 OHM, 20%, 1.125W	80009	307-0486-00
A2R804	322-3097-00			RES, FXD, FILM: 100 OHM, 1%, 0.2W, TC=TO	57668	CRB20 FXE 100E
A2R805	322-3097-00			RES, FXD, FILM: 100 OHM, 1%, 0.2W, TC=TO	57668	CRB20 FXE 100E
A2R806	322-3246-00	671-1693-00	671-1693-02	RES, FXD, FILM: 3.57K OHM, 1%, 0.2W, TC=TO	80009	322-3246-00
A2R806	322-3201-00	671-1693-03		RES, FXD, FILM: 1.21K OHM, 1%, 0.2W, TC=TO	80009	322-3201-00
A2R807	322-3201-00			RES, FXD, FILM: 1.21K OHM, 1%, 0.2W, TC=TO	80009	322-3201-00
A2R808	322-3201-00	671-1693-00	671-1693-02	RES, FXD, FILM: 1.21K OHM, 1%, 0.2W, TC=TO	80009	322-3201-00
A2R808	322-3165-00	671-1693-03		RES, FXD, FILM: 511 OHM, 1%, 0.2W, TC=TO	57668	CRB20 FXE 511E
A2R809	322-3201-00	671-1693-00	671-1693-02	RES, FXD, FILM: 1.21K OHM, 1%, 0.2W, TC=TO	80009	322-3201-00
A2R809	322-3165-00	671-1693-03		RES, FXD, FILM: 511 OHM, 1%, 0.2W, TC=TO	57668	CRB20 FXE 511E
A2R810	322-3201-00			RES, FXD, FILM: 1.21K OHM, 1%, 0.2W, TC=TO	80009	322-3201-00
A2R811	322-3246-00	671-1693-00	671-1693-02	RES, FXD, FILM: 3.57K OHM, 1%, 0.2W, TC=TO	80009	322-3246-00
A2R811	322-3201-00	671-1693-03		RES, FXD, FILM: 1.21K OHM, 1%, 0.2W, TC=TO	80009	322-3201-00
A2R812	322-3201-00			RES, FXD, FILM: 1.21K OHM, 1%, 0.2W, TC=TO	80009	322-3201-00
A2R813	322-3176-00	671-1693-03		RES, FXD, FILM: 665 OHM, 1%, 0.2W, TC=TO	91637	CCF50-2
A2R814	322-3176-00	671-1693-03		RES, FXD, FILM: 665 OHM, 1%, 0.2W, TC=TO	91637	CCF50-2
A2R815	322-3201-00	671-1693-03		RES, FXD, FILM: 1.21K OHM, 1%, 0.2W, TC=TO	80009	322-3201-00
A2R816	322-3097-00	671-1693-03		RES, FXD, FILM: 100 OHM, 1%, 0.2W, TC=TO	57668	CRB20 FXE 100E
A2R900	322-3097-00			RES, FXD, FILM: 100 OHM, 1%, 0.2W, TC=TO	57668	CRB20 FXE 100E
A2R901	322-3097-00			RES, FXD, FILM: 100 OHM, 1%, 0.2W, TC=TO	57668	CRB20 FXE 100E
A2R902	322-3097-00			RES, FXD, FILM: 100 OHM, 1%, 0.2W, TC=TO	57668	CRB20 FXE 100E
A2R903	322-3097-00			RES, FXD, FILM: 100 OHM, 1%, 0.2W, TC=TO	57668	CRB20 FXE 100E
A2R904	322-3097-00			RES, FXD, FILM: 100 OHM, 1%, 0.2W, TC=TO	57668	CRB20 FXE 100E
A2R905	322-3097-00			RES, FXD, FILM: 100 OHM, 1%, 0.2W, TC=TO	57668	CRB20 FXE 100E
A2R907	322-3097-00			RES, FXD, FILM: 100 OHM, 1%, 0.2W, TC=TO	57668	CRB20 FXE 100E
A2R908	322-3097-00			RES, FXD, FILM: 100 OHM, 1%, 0.2W, TC=TO	57668	CRB20 FXE 100E
A2R910	322-3097-00			RES, FXD, FILM: 100 OHM, 1%, 0.2W, TC=TO	57668	CRB20 FXE 100E
A2R911	322-3097-00			RES, FXD, FILM: 100 OHM, 1%, 0.2W, TC=TO	57668	CRB20 FXE 100E
A2R912	322-3097-00			RES, FXD, FILM: 100 OHM, 1%, 0.2W, TC=TO	57668	CRB20 FXE 100E
A2R913	322-3097-00			RES, FXD, FILM: 100 OHM, 1%, 0.2W, TC=TO	57668	CRB20 FXE 100E
A2R914	322-3097-00			RES, FXD, FILM: 100 OHM, 1%, 0.2W, TC=TO	57668	CRB20 FXE 100E
A2R915	322-3097-00			RES, FXD, FILM: 100 OHM, 1%, 0.2W, TC=TO	57668	CRB20 FXE 100E
A2R916	322-3097-00			RES, FXD, FILM: 100 OHM, 1%, 0.2W, TC=TO	57668	CRB20 FXE 100E
A2R917	322-3097-00			RES, FXD, FILM: 100 OHM, 1%, 0.2W, TC=TO	57668	CRB20 FXE 100E
A2R925	322-3246-00			RES, FXD, FILM: 3.57K OHM, 1%, 0.2W, TC=TO	80009	322-3246-00
A2R926	322-3246-00			RES, FXD, FILM: 3.57K OHM, 1%, 0.2W, TC=TO	80009	322-3246-00
A2R931	322-3097-00			RES, FXD, FILM: 100 OHM, 1%, 0.2W, TC=TO	57668	CRB20 FXE 100E
A2R932	322-3097-00			RES, FXD, FILM: 100 OHM, 1%, 0.2W, TC=TO	57668	CRB20 FXE 100E
A2R933	322-3097-00			RES, FXD, FILM: 100 OHM, 1%, 0.2W, TC=TO	57668	CRB20 FXE 100E
A2R1200	322-3243-00			RES, FXD, FILM: 3.32K OHM, 1%, 0.2W, TC=TO	91637	CCF50-1-G33200F
A2R1202	322-3066-00			RES, FXD, FILM: 47.5 OHM, 1%, 0.2W, TC=TO	09969	CCF502G47R50F
A2R1203	322-3001-00			RES, FXD, FILM: 10 OHM, 1%, 0.2W, TC=TO	80009	322-3001-00
A2R1300	322-3001-00			RES, FXD, FILM: 10 OHM, 1%, 0.2W, TC=TO	80009	322-3001-00
A2S600	260-2244-00			SWITCH, ROTARY: DIP, 10 POSITION	57856	152 111 1024 385
A2S601	260-2244-00			SWITCH, ROTARY: DIP, 10 POSITION	57856	152 111 1024 385
A2S602	260-2244-00			SWITCH, ROTARY: DIP, 10 POSITION	57856	152 111 1024 385
A2S603	260-2244-00			SWITCH, ROTARY: DIP, 10 POSITION	57856	152 111 1024 385
A2S604	260-2244-00			SWITCH, ROTARY: DIP, 10 POSITION	57856	152 111 1024 385
A2S605	260-2244-00			SWITCH, ROTARY: DIP, 10 POSITION	57856	152 111 1024 385
A2S606	260-2244-00			SWITCH, ROTARY: DIP, 10 POSITION	57856	152 111 1024 385
A2S607	260-2244-00			SWITCH, ROTARY: DIP, 10 POSITION	57856	152 111 1024 385
A2S700	260-2244-00			SWITCH, ROTARY: DIP, 10 POSITION	57856	152 111 1024 385

TSG 1001 - REPLACEABLE ELECTRICAL PARTS LIST

Component No.	Tektronix Part No.	Serial/Assembly No. Effective	Discont	Name & Description	Mfr. Code	Mfr. Part No.
A2S701	260-2244-00			SWITCH,ROTARY:DIP,10 POSITION	57856	152 111 1024 385
A2S702	260-2244-00			SWITCH,ROTARY:DIP,10 POSITION	57856	152 111 1024 385
A2S703	260-2244-00			SWITCH,ROTARY:DIP,10 POSITION	57856	152 111 1024 385
A2S704	260-2244-00			SWITCH,ROTARY:DIP,10 POSITION	57856	152 111 1024 385
A2S705	260-2244-00			SWITCH,ROTARY:DIP,10 POSITION	57856	152 111 1024 385
A2S706	260-2244-00			SWITCH,ROTARY:DIP,10 POSITION	57856	152 111 1024 385
A2S707	260-2244-00			SWITCH,ROTARY:DIP,10 POSITION	57856	152 111 1024 385
A2TP303	214-4085-00			TERM,TEST POINT:0.070 ID,0.220 H,0.063 DIA PCB,0.015 X 0.032 BRASS,W/ RED NYLON COLLAR	26364	104-01-02
A2TP1300	214-4085-00			TERM,TEST POINT:0.070 ID,0.220 H,0.063 DIA PCB,0.015 X 0.032 BRASS,W/ RED NYLON COLLAR	26364	104-01-02
A2TP1301	214-4085-00			TERM,TEST POINT:0.070 ID,0.220 H,0.063 DIA PCB,0.015 X 0.032 BRASS,W/ RED NYLON COLLAR	26364	104-01-02
A2TP1302	214-4085-00			TERM,TEST POINT:0.070 ID,0.220 H,0.063 DIA PCB,0.015 X 0.032 BRASS,W/ RED NYLON COLLAR	26364	104-01-02
A2TP1303	214-4085-00			TERM,TEST POINT:0.070 ID,0.220 H,0.063 DIA PCB,0.015 X 0.032 BRASS,W/ RED NYLON COLLAR	26364	104-01-02
A2TP1304	214-4085-00			TERM,TEST POINT:0.070 ID,0.220 H,0.063 DIA PCB,0.015 X 0.032 BRASS,W/ RED NYLON COLLAR	26364	104-01-02
A2TP1305	214-4085-00			TERM,TEST POINT:0.070 ID,0.220 H,0.063 DIA PCB,0.015 X 0.032 BRASS,W/ RED NYLON COLLAR	26364	104-01-02
A2TP1306	214-4085-00			TERM,TEST POINT:0.070 ID,0.220 H,0.063 DIA PCB,0.015 X 0.032 BRASS,W/ RED NYLON COLLAR	26364	104-01-02
A2TP1307	214-4085-00			TERM,TEST POINT:0.070 ID,0.220 H,0.063 DIA PCB,0.015 X 0.032 BRASS,W/ RED NYLON COLLAR	26364	104-01-02
A2TP1308	214-4085-00			TERM,TEST POINT:0.070 ID,0.220 H,0.063 DIA PCB,0.015 X 0.032 BRASS,W/ RED NYLON COLLAR	26364	104-01-02
A2TP1309	214-4085-00			TERM,TEST POINT:0.070 ID,0.220 H,0.063 DIA PCB,0.015 X 0.032 BRASS,W/ RED NYLON COLLAR	26364	104-01-02
A2TP1310	214-4085-00			TERM,TEST POINT:0.070 ID,0.220 H,0.063 DIA PCB,0.015 X 0.032 BRASS,W/ RED NYLON COLLAR	26364	104-01-02
A2TP1311	214-4085-00			TERM,TEST POINT:0.070 ID,0.220 H,0.063 DIA PCB,0.015 X 0.032 BRASS,W/ RED NYLON COLLAR	26364	104-01-02
A2TP1312	214-4085-00			TERM,TEST POINT:0.070 ID,0.220 H,0.063 DIA PCB,0.015 X 0.032 BRASS,W/ RED NYLON COLLAR	26364	104-01-02
A2U100	156-1111-02			IC,DIGITAL:LSTTL,TRANSCEIVER;DUPLICATE OF 156-1111-00;74LS245,DIP20.3,TUBE	80009	156-1111-02
A2U101	156-0956-00			IC,DIGITAL:LSTTL,BUFFER/DRIVER;OCTAL NONINV,3-STATE;74LS244,DIP20.3,TUBE	80009	156-0956-00
A2U102	156-0956-00			IC,DIGITAL:LSTTL,BUFFER/DRIVER;OCTAL NONINV,3-STATE;74LS244,DIP20.3,TUBE	80009	156-0956-00
A2U103	160-7822-00			MICROCKT,DGTL:PROGRAMMED,156-3550-00,PAL20L10A	80009	160-7822-00
	136-0925-00			*MOUNTING PARTS* SOCKET,DIP:; *END MOUNTING PARTS*	91506	224-AG30D
A2U104	156-1724-00			IC,DIGITAL:FTTL,GATES;QUAD 2-INPUT OR;74F32,DIP14.3,TUBE	04713	MC74F32ND
A2U105	156-0982-03			IC,DIGITAL:LSTTL,FLIP FLOP;DUPLICATE OF 156-0982-00;74LS374,DIP20.3,TUBE	80009	156-0982-03
A2U106	156-0982-03			IC,DIGITAL:LSTTL,FLIP FLOP;DUPLICATE OF 156-0982-00;74LS374,DIP20.3,TUBE	80009	156-0982-03
A2U107	156-0469-02			IC,DIGITAL:LSTTL,DEMUX/DECODER;DUPLICATE OF 146-0469-00;74LS138,DIP16.3,TUBE	80009	156-0469-02
A2U108	156-0469-02			IC,DIGITAL:LSTTL,DEMUX/DECODER;DUPLICATE OF 146-0469-00;74LS138,DIP16.3,TUBE	80009	156-0469-02
A2U109	160-7091-00			MICROCKT,DGTL:CMOS,16 X 8 EPROM,PRGM,27C128	80009	160-7091-00
	136-0755-00			*MOUNTING PARTS* SOCKET,DIP:;PCB,;28 POS,2 X 14,0.1 X 0.6 CT R,0.175 H X 0.13 TAIL,BECU,TIN;,,	09922	DILB28P-108

Component No.	Tektronix Part No.	Serial/Assembly No. Effective Dscont	Name & Description	Mfr. Code	Mfr. Part No.
			*END MOUNTING PARTS*		
A2U110	156-0369-03		IC,DIGITAL:ECL,RECEIVER;HIGH SPEED TRIPLE L	80009	156-0369-03
			INE;10216,DIP16.3,TUBE,SCRN		
A2U200	156-2289-00		IC,DIGITAL:ECL,TRANSLATOR;QUAD TTL-TO-ECL;1	04713	MC10H124P
			OH124,DIP16.3,TUBE		
A2U201	156-2289-00		IC,DIGITAL:ECL,TRANSLATOR;QUAD TTL-TO-ECL;1	04713	MC10H124P
			OH124,DIP16.3,TUBE		
A2U202	156-2289-00		IC,DIGITAL:ECL,TRANSLATOR;QUAD TTL-TO-ECL;1	04713	MC10H124P
			OH124,DIP16.3,TUBE		
A2U204	160-7823-01		IC,MEMORY:PRGM 156-4016-XX,10E302	80009	160-7823-01
			*MOUNTING PARTS*		
	136-0925-00		SOCKET,DIP:.	91506	224-AG30D
			*END MOUNTING PARTS*		
A2U205	156-1639-00		IC,DIGITAL:ECL,FLIP FLOP;DUAL MASTER-SLAVE;	80009	156-1639-00
			10H131,DIP16.3		
A2U206	156-1639-00		IC,DIGITAL:ECL,FLIP FLOP;DUAL MASTER-SLAVE;	80009	156-1639-00
			10H131,DIP16.3		
A2U207	156-1712-00		MICROCKT,DGTL:ECL,HEX D MA-SLAVE,FF,SCRN	04713	MC10H176 P
A2U208	156-1962-00		IC,DIGITAL:FTTL,BUFFER;OCTAL NONINV BUFFER/	80009	156-1962-00
			DRIVER, 3-STATE;74F244,DIP20.3,TUBE		
A2U210	156-1662-00		IC,DIGITAL:FTTL,MUX;DUAL 4-TO-1 DATA SELECT	80009	156-1662-00
			OR;74F153,DIP16.3,TUBE		
A2U211	156-1662-00		IC,DIGITAL:FTTL,MUX;DUAL 4-TO-1 DATA SELECT	80009	156-1662-00
			OR;74F153,DIP16.3,TUBE		
A2U300	156-1722-00		IC,DIGITAL:FTTL,GATE;HEX INV;74F04,DIP14.3,	04713	MC74F04ND
			TUBE		
A2U310	156-2612-00		IC,DIGITAL:ASTTL,FLIP FLOP;OCTAL D-TYPE, IN	01295	SN74AS574N
			V, 3-STATE, CLEAR;74AS574,DIP20.3		
A2U311	156-2612-00		IC,DIGITAL:ASTTL,FLIP FLOP;OCTAL D-TYPE, IN	01295	SN74AS574N
			V, 3-STATE, CLEAR;74AS574,DIP20.3		
A2U312	156-2289-00		IC,DIGITAL:ECL,TRANSLATOR;QUAD TTL-TO-ECL;1	04713	MC10H124P
			OH124,DIP16.3,TUBE		
A2U313	156-2289-00		IC,DIGITAL:ECL,TRANSLATOR;QUAD TTL-TO-ECL;1	04713	MC10H124P
			OH124,DIP16.3,TUBE		
A2U320	156-2612-00		IC,DIGITAL:ASTTL,FLIP FLOP;OCTAL D-TYPE, IN	01295	SN74AS574N
			V, 3-STATE, CLEAR;74AS574,DIP20.3		
A2U321	156-2612-00		IC,DIGITAL:ASTTL,FLIP FLOP;OCTAL D-TYPE, IN	01295	SN74AS574N
			V, 3-STATE, CLEAR;74AS574,DIP20.3		
A2U322	156-2289-00		IC,DIGITAL:ECL,TRANSLATOR;QUAD TTL-TO-ECL;1	04713	MC10H124P
			OH124,DIP16.3,TUBE		
A2U323	156-2289-00		IC,DIGITAL:ECL,TRANSLATOR;QUAD TTL-TO-ECL;1	04713	MC10H124P
			OH124,DIP16.3,TUBE		
A2U330	156-2612-00		IC,DIGITAL:ASTTL,FLIP FLOP;OCTAL D-TYPE, IN	01295	SN74AS574N
			V, 3-STATE, CLEAR;74AS574,DIP20.3		
A2U331	156-2612-00		IC,DIGITAL:ASTTL,FLIP FLOP;OCTAL D-TYPE, IN	01295	SN74AS574N
			V, 3-STATE, CLEAR;74AS574,DIP20.3		
A2U332	156-2289-00		IC,DIGITAL:ECL,TRANSLATOR;QUAD TTL-TO-ECL;1	04713	MC10H124P
			OH124,DIP16.3,TUBE		
A2U333	156-2289-00		IC,DIGITAL:ECL,TRANSLATOR;QUAD TTL-TO-ECL;1	04713	MC10H124P
			OH124,DIP16.3,TUBE		
A2U410	156-1795-00		IC,DIGITAL:ECL,MUX/ENCODER;DUAL 4-TO-1 MUX;	80009	156-1795-00
			10H174,DIP16.3,TUBE		
A2U412	156-1795-00		IC,DIGITAL:ECL,MUX/ENCODER;DUAL 4-TO-1 MUX;	80009	156-1795-00
			10H174,DIP16.3,TUBE		
A2U414	156-1795-00		IC,DIGITAL:ECL,MUX/ENCODER;DUAL 4-TO-1 MUX;	80009	156-1795-00
			10H174,DIP16.3,TUBE		
A2U416	156-1795-00		IC,DIGITAL:ECL,MUX/ENCODER;DUAL 4-TO-1 MUX;	80009	156-1795-00
			10H174,DIP16.3,TUBE		

TSG 1001 - REPLACEABLE ELECTRICAL PARTS LIST

Component No.	Tektronix Part No.	Serial/Assembly No. Effective	Discont	Name & Description	Mfr. Code	Mfr. Part No.
A2U418	156-1795-00			IC,DIGITAL:ECL,MUX/ENCODER;DUAL 4-TO-1 MUX; 10H174,DIP16.3,TUBE	80009	156-1795-00
A2U420	156-1795-00			IC,DIGITAL:ECL,MUX/ENCODER;DUAL 4-TO-1 MUX; 10H174,DIP16.3,TUBE	80009	156-1795-00
A2U422	156-1795-00			IC,DIGITAL:ECL,MUX/ENCODER;DUAL 4-TO-1 MUX; 10H174,DIP16.3,TUBE	80009	156-1795-00
A2U424	156-1795-00			IC,DIGITAL:ECL,MUX/ENCODER;DUAL 4-TO-1 MUX; 10H174,DIP16.3,TUBE	80009	156-1795-00
A2U426	156-1795-00			IC,DIGITAL:ECL,MUX/ENCODER;DUAL 4-TO-1 MUX; 10H174,DIP16.3,TUBE	80009	156-1795-00
A2U428	156-1795-00			IC,DIGITAL:ECL,MUX/ENCODER;DUAL 4-TO-1 MUX; 10H174,DIP16.3,TUBE	80009	156-1795-00
A2U530	156-1795-00			IC,DIGITAL:ECL,MUX/ENCODER;DUAL 4-TO-1 MUX; 10H174,DIP16.3,TUBE	80009	156-1795-00
A2U532	156-1795-00			IC,DIGITAL:ECL,MUX/ENCODER;DUAL 4-TO-1 MUX; 10H174,DIP16.3,TUBE	80009	156-1795-00
A2U534	156-1795-00			IC,DIGITAL:ECL,MUX/ENCODER;DUAL 4-TO-1 MUX; 10H174,DIP16.3,TUBE	80009	156-1795-00
A2U536	156-1795-00			IC,DIGITAL:ECL,MUX/ENCODER;DUAL 4-TO-1 MUX; 10H174,DIP16.3,TUBE	80009	156-1795-00
A2U538	156-1795-00			IC,DIGITAL:ECL,MUX/ENCODER;DUAL 4-TO-1 MUX; 10H174,DIP16.3,TUBE	80009	156-1795-00
A2U600	156-0956-00			IC,DIGITAL:LSTTL,BUFFER/DRIVER;OCTAL NONINV , 3-STATE;74LS244,DIP20.3,TUBE	80009	156-0956-00
A2U602	156-0956-00			IC,DIGITAL:LSTTL,BUFFER/DRIVER;OCTAL NONINV , 3-STATE;74LS244,DIP20.3,TUBE	80009	156-0956-00
A2U604	156-0956-00			IC,DIGITAL:LSTTL,BUFFER/DRIVER;OCTAL NONINV , 3-STATE;74LS244,DIP20.3,TUBE	80009	156-0956-00
A2U606	156-0956-00			IC,DIGITAL:LSTTL,BUFFER/DRIVER;OCTAL NONINV , 3-STATE;74LS244,DIP20.3,TUBE	80009	156-0956-00
A2U610	156-0158-07			IC,LINEAR:BIPOLAR,OP-AMP;DUPLICATE OF 156-0158-00,DO NOT USE;MC1458P1,DIP08.3	80009	156-0158-07
A2U700	156-0956-00			IC,DIGITAL:LSTTL,BUFFER/DRIVER;OCTAL NONINV , 3-STATE;74LS244,DIP20.3,TUBE	80009	156-0956-00
A2U702	156-0956-00			IC,DIGITAL:LSTTL,BUFFER/DRIVER;OCTAL NONINV , 3-STATE;74LS244,DIP20.3,TUBE	80009	156-0956-00
A2U704	156-0956-00			IC,DIGITAL:LSTTL,BUFFER/DRIVER;OCTAL NONINV , 3-STATE;74LS244,DIP20.3,TUBE	80009	156-0956-00
A2U706	156-0956-00			IC,DIGITAL:LSTTL,BUFFER/DRIVER;OCTAL NONINV , 3-STATE;74LS244,DIP20.3,TUBE	80009	156-0956-00
A2U800	156-3047-00			MICROCKT,LINEAR:MONOLITHIC,RF AMPLIFIER	80009	156-3047-00
A2U801	156-3047-00			MICROCKT,LINEAR:MONOLITHIC,RF AMPLIFIER	80009	156-3047-00
A2U802	156-3047-00	671-1693-03		MICROCKT,LINEAR:MONOLITHIC,RF AMPLIFIER	80009	156-3047-00
A2U803	156-1640-00			IC,DIGITAL:ECL,RECEIVER;TRIPLE LINE;10H116,DIP16.3,TUBE	80009	156-1640-00
A2U804	156-1640-00			IC,DIGITAL:ECL,RECEIVER;TRIPLE LINE;10H116,DIP16.3,TUBE	80009	156-1640-00
A2U807	156-1641-00			IC,DIGITAL:ECL,GATE;QUAD 2-INPUT NOR;10H102,DIP16.3,TUBE	80009	156-1641-00
A2U900	156-1640-00			IC,DIGITAL:ECL,RECEIVER;TRIPLE LINE;10H116,DIP16.3,TUBE	80009	156-1640-00
A2U901	156-2114-00			IC,DIGITAL:ECL,RECEIVER;QUAD LINE;10H115,DIP16.3,TUBE	80009	156-2114-00
A2U902	156-1640-00			IC,DIGITAL:ECL,RECEIVER;TRIPLE LINE;10H116,DIP16.3,TUBE	80009	156-1640-00
A2U905	156-2290-00			IC,DIGITAL:ECL,TRANSLATOR;QUAD ECL-TO-TTL;10H125,DIP16.3,TUBE	80009	156-2290-00
A2U906	160-7824-02			IC,MEMORY:ARRAY LOGIC DEVICE;AMPAL22V10,DIP24	80009	160-7824-02



Component No.	Tektronix Part No.	Serial/Assembly No. Effective Dscnt	Name & Description	Mfr. Code	Mfr. Part No.
			*MOUNTING PARTS*		
	136-0925-00		SOCKET,DIP::	91506	224-AG30D
			*END MOUNTING PARTS*		
A2U907	156-1889-00		IC,DIGITAL:ECL,COUNTER;UNIVERSAL HEXADECIMA L;10H136,DIP16.3,TUBE	04713	MC10H136L/P
A2U908	156-2114-00		IC,DIGITAL:ECL,RECEIVER;QUAD LINE;10H115,DI P16.3,TUBE	80009	156-2114-00
A2U1200	156-1173-00		IC,LINEAR:BIPOLAR,VOLTAGE REFERENCE;POSITIV E,2.5V,1.0%,40PPM,SERIES;MC1403U,DIP08.3	80009	156-1173-00
A2U1201	156-0512-02		IC,LINEAR:BIPOLAR,OP-AMP;DUPLICATE OF 156-0 512-00,DO NOT USE;LM308N,DIP08.3	80009	156-0512-02
A2VR600	152-0688-00		DIODE,ZENER::;2.4V,5%,0.4W;1N4370A,DO-7 OR 35	04713	1N4370A
A2VR700	152-0688-00		DIODE,ZENER::;2.4V,5%,0.4W;1N4370A,DO-7 OR 35	04713	1N4370A
A2W900	131-0556-00		CONN,RCPT,ELEC:12 CONTACT FEMALE	80009	131-0556-00
A2W901	131-0556-00		CONN,RCPT,ELEC:12 CONTACT FEMALE	80009	131-0556-00
A2W910	131-0556-00		CONN,RCPT,ELEC:12 CONTACT FEMALE	80009	131-0556-00
A2W911	131-0556-00		CONN,RCPT,ELEC:12 CONTACT FEMALE	80009	131-0556-00
A2A1	119-3893-02		OVEN ASSEMBLY:TSG1050 & TSG1250	80009	119-3893-02
			*ATTACHED PARTS*		
	134-0209-00		BUTTON,PLUG:0.187 DIA HOLE,PLASTIC	31223	62PP0188M14
	200-3264-00		COVER, TOP:ALUMINUM	80009	200-3264-00
	200-3266-01		CAP,HEAT SINK:PLASTIC	80009	200-3266-01
	210-0586-00		NUT,PL,ASSEM WA:4-40 X 0.25,STL CD PL	78189	211-041800-00
	211-0021-00		SCREW,MACHINE:4-40 X 1.25,PNH,STL	TK0435	ORDER BY DESC
	211-0513-00		SCREW,MACHINE:6-32 X 0.625,PNH,STL	93907	B80-00032-003
			(QUANTITY 2)		
	211-0661-00		SCR,ASSEM WSHR:4-40 X 0.25,PNH,STL,POZ	01536	821-01655-024
			(QUANTITY 2)		
	214-3863-01		HEAT SINK,ELEC:ALUMINUM	80009	214-3863-01
	348-0935-00		GASKET:2.0 X 1.7,NEOPRENE	80009	348-0935-00
	432-0154-00		BASE,HEAT SINK:PLASTIC	80009	432-0154-00
			*END ATTACHED PARTS*		
A2A1C6	283-5238-00		CAP,FXD,CER DI:150PF,5%,100V	04222	12061A151JA1050R
A2A1C8	283-5025-00		CAP,FXD,CER DI:220PF,5%,50V	80009	283-5025-00
A2A1C15	283-5007-00		CAP,FXD,CER DI:8PF,+/- 0.5PF,50V	80009	283-5007-00
A2A1C16	283-5206-00		CAP,FXD,CER DI:56PF,5%,100V	80009	283-5206-00
A2A1C17	283-5004-00		CAP,FXD,CER DI:0.1UF,10%,25V	80009	283-5004-00
A2A1C19	281-0165-00		CAP,VAR,AIR DI:0.8-10PF,250V	80009	281-0165-00
A2A1CR14	152-0269-01		SEMICOND DVC,DI:VVC,SI,33PF,5%,35V,DO-7	04713	SMV1263-1
A2A1P33	131-2002-00		CONN,BOX::	TK1483	TKD-05254-103
A2A1Q10	151-5035-00		TRANSISTOR,SIG:BIPOLAR,NPN;25V,30MA,650MHZ, AMPLIFIER;MMBTH10L,TO-236/SOT-23,8MM T/R	04713	MMBTH10T1
A2A1R1	321-5043-00		RES,FXD,FILM:47.5 OHM,1%,0.125W	80009	321-5043-00
A2A1R3	307-1161-00		RES,FXD,FILM:1M OHM,5%,0.062W,0805,8MM	TK0510	ERJ-6GCSJ105V
A2A1R4	321-5078-00		RES,FXD,FILM:20K OHM,1%,125MW,0805 PKG	80009	321-5078-00
A2A1R5	321-5078-00		RES,FXD,FILM:20K OHM,1%,125MW,0805 PKG	80009	321-5078-00
A2A1R9	321-5012-00		RES,FXD,FILM:332 OHM,1%,0.125W	80009	321-5012-00
A2A1RT11	307-0181-01		RES,THERMAL:20K OHM,5%,AT 60 DEG C	80009	307-0181-01
			*ATTACHED PARTS*		
	162-0581-00		INSUL SLVG,ELEC:0.027 ID,PTFE,CLEAR	59659	#22TFE
			(QUANTITY 0.042000 FT)		
			*END ATTACHED PARTS*		
A2A1Y11	-----		XTAL UNIT,QTZ:14.400000MHZ,+/-0.0005%,PARAL LEL,CL=32PF,HC-43/U PKG		
			(REPLACEABLE AT A2A1 ONLY)		
A2A2	119-4088-00		OVEN ASSEMBLY:TSG1001	80009	119-4088-00
			*ATTACHED PARTS*		
	134-0209-00		BUTTON,PLUG:0.187 DIA HOLE,PLASTIC	31223	62PP0188M14
	200-3264-00		COVER, TOP:ALUMINUM	80009	200-3264-00
	200-3266-01		CAP,HEAT SINK:PLASTIC	80009	200-3266-01

TSG 1001 - REPLACEABLE ELECTRICAL PARTS LIST

Component No.	Tektronix Part No.	Serial/Assembly No. Effective Discnt	Name & Description	Mfr. Code	Mfr. Part No.
	210-0586-00		NUT, PL, ASSEM WA: 4-40 X 0.25, STL CD PL	78189	211-041800-00
	211-0021-00		SCREW, MACHINE: 4-40 X 1.25, PNH, STL	TK0435	ORDER BY DESCR
	211-0513-00		SCREW, MACHINE: 6-32 X 0.625, PNH, STL (QUANTITY 2)	93907	B80-00032-003
	211-0661-00		SCR, ASSEM WSHR: 4-40 X 0.25, PNH, STL, POZ (QUANTITY 2)	01536	821-01655-024
	214-3863-01		HEAT SINK, ELEC: ALUMINUM	80009	214-3863-01
	348-0935-00		GASKET: 2.0 X 1.7, NEOPRENE	80009	348-0935-00
	432-0154-00		BASE, HEAT SINK: PLASTIC *END ATTACHED PARTS*	80009	432-0154-00
A2A2C6	283-5238-00		CAP, FXD, CER DI: 150PF, 5%, 100V	04222	12061A151JA1050R
A2A2C8	283-5025-00		CAP, FXD, CER DI: 220PF, 5%, 50V	80009	283-5025-00
A2A2C15	283-5007-00		CAP, FXD, CER DI: 8PF, +/- 0.5PF, 50V	80009	283-5007-00
A2A2C16	283-5206-00		CAP, FXD, CER DI: 56PF, 5%, 100V	80009	283-5206-00
A2A2C17	283-5004-00		CAP, FXD, CER DI: 0.1UF, 10%, 25V	80009	283-5004-00
A2A2C19	281-0165-00		CAP, VAR, AIR DI: 0.8-10PF, 250V	80009	281-0165-00
A2A2CR14	152-0269-01		SEMICOND DVC, DI: VVC, SI, 33PF, 5%, 35V, DO-7	04713	SMV1263-1
A2A2P33	131-2002-00		CONN, BOX::	TK1483	TKO-05254-103
A2A2Q10	151-5035-00		TRANSISTOR, SIG: BIPOLAR, NPN; 25V, 30MA, 650MHZ, AMPLIFIER; MMBTH10L, TO-236/SOT-23, 8MM T/R	04713	MMBTH10T1
A2A2R1	321-5043-00		RES, FXD, FILM: 47.5 OHM, 1%, 0.125W	80009	321-5043-00
A2A2R3	307-1161-00		RES, FXD, FILM: 1M OHM, 5%, 0.062W, 0805, 8MM	TK0510	ERJ-6GCSJ105V
A2A2R4	321-5078-00		RES, FXD, FILM: 20K OHM, 1%, 125MW, 0805 PKG	80009	321-5078-00
A2A2R5	321-5078-00		RES, FXD, FILM: 20K OHM, 1%, 125MW, 0805 PKG	80009	321-5078-00
A2A2R9	321-5012-00		RES, FXD, FILM: 332 OHM, 1%, 0.125W	80009	321-5012-00
A2A2RT11	307-0181-01		RES, THERMAL: 20K OHM, 5%, AT 60 DEG C *ATTACHED PARTS*	80009	307-0181-01
	162-0581-00		INSUL SLVG, ELEC: 0.027 ID, PTFE, CLEAR (QUANTITY 0.042000 FT) *END ATTACHED PARTS*	59659	#22TFE
A2A2Y11	-----		XTAL UNIT, QTZ: 15.067133 MHZ, +/- 0.0005%, PARA LLEL, CL 39PF, RS 15 OHM, HC-43/U PKG (REPLACEABLE AT A2A2 ONLY)		
A2A3	671-1939-00		CIRCUIT BD ASSY: FILTER	80009	671-1939-00
A2A3C1	281-0775-01		CAP, FXD, CER DI: 0.1UF, 20%, 50V	04222	SA105E104MAA
A2A3C2	281-0775-01		CAP, FXD, CER DI: 0.1UF, 20%, 50V	04222	SA105E104MAA
A2A3C3	281-0775-01		CAP, FXD, CER DI: 0.1UF, 20%, 50V	04222	SA105E104MAA
A2A3C4	283-0767-00		CAP, FXD, MICA DI: 107 PF, 1%, 500V	80009	283-0767-00
A2A3C5	283-0680-00		CAP, FXD, MICA DI: 330PF, 1%, 500V	80009	283-0680-00
A2A3C6	283-0600-00		CAP, FXD, MICA DI: 43PF, 5%, 500V	80009	283-0600-00
A2A3C7	283-0140-00		CAP, FXD, CER DI: 4.7PF, +/- 0.25PF, 50V	72982	8101E003A479C
A2A3C8	283-0853-00		CAP, FXD, CER DI: 2.2PF, 200V	04222	SR212A2R2DAATR
A2A3C9	283-0223-00		CAP, FXD, CER DI: 3PF, +/- 5PF, 50V	TK1134	835XXXCOJ0309D
A2A3C10	281-0775-01		CAP, FXD, CER DI: 0.1UF, 20%, 50V	04222	SA105E104MAA
A2A3C11	281-0775-01		CAP, FXD, CER DI: 0.1UF, 20%, 50V	04222	SA105E104MAA
A2A3C12	281-0775-01		CAP, FXD, CER DI: 0.1UF, 20%, 50V	04222	SA105E104MAA
A2A3C13	283-0636-00		CAP, FXD, MICA DI: 36PF, 1.4%, 500V	80009	283-0636-00
A2A3C14	283-0636-00		CAP, FXD, MICA DI: 36PF, 1.4%, 500V	80009	283-0636-00
A2A3C15	281-0775-01		CAP, FXD, CER DI: 0.1UF, 20%, 50V	04222	SA105E104MAA
A2A3C16	281-0775-01		CAP, FXD, CER DI: 0.1UF, 20%, 50V	04222	SA105E104MAA
A2A3C17	283-0639-00		CAP, FXD, MICA DI: 56PF, 1%, 500V	80009	283-0639-00
A2A3C18	281-0775-01		CAP, FXD, CER DI: 0.1UF, 20%, 50V	04222	SA105E104MAA
A2A3C19	281-0775-01		CAP, FXD, CER DI: 0.1UF, 20%, 50V	04222	SA105E104MAA
A2A3C20	281-0775-01		CAP, FXD, CER DI: 0.1UF, 20%, 50V	04222	SA105E104MAA
A2A3C21	281-0775-01		CAP, FXD, CER DI: 0.1UF, 20%, 50V	04222	SA105E104MAA
A2A3J1	131-0608-00		TERMINAL, PIN: 0.365 L X 0.025 BRZ GLD PL (QUANTITY 2)	80009	131-0608-00
A2A3J3	131-0608-00		TERMINAL, PIN: 0.365 L X 0.025 BRZ GLD PL (QUANTITY 2)	80009	131-0608-00
A2A3J4	131-0608-00		TERMINAL, PIN: 0.365 L X 0.025 BRZ GLD PL	80009	131-0608-00

Component No.	Tektronix Part No.	Serial/Assembly No. Effective	Dscont	Name & Description	Mfr. Code	Mfr. Part No.
A2A3J5	131-0608-00			(QUANTITY 2) TERMINAL,PIN:0.365 L X 0.025 BRZ GLD PL	80009	131-0608-00
A2A3J6	131-0608-00			(QUANTITY 2) TERMINAL,PIN:0.365 L X 0.025 BRZ GLD PL	80009	131-0608-00
A2A3J7	131-5224-00			(QUANTITY 2) CONN,BOX:	80009	131-5224-00
A2A3J8	131-5224-00			(QUANTITY 5) CONN,BOX:	80009	131-5224-00
A2A3L1	108-0212-00			(QUANTITY 5) COIL,RF:FIXED,495NH	80009	108-0212-00
A2A3L2	108-0212-00			COIL,RF:FIXED,495NH	80009	108-0212-00
A2A3L3	114-0476-00			COIL,RF:VARIABLE 89-98UH,NOM 94NH,SHIELDED, POWERED IRON CORE	80009	114-0476-00
A2A3L4	114-0476-00			COIL,RF:VARIABLE 89-98UH,NOM 94NH,SHIELDED, POWERED IRON CORE	80009	114-0476-00
A2A3L5	114-0476-00			COIL,RF:VARIABLE 89-98UH,NOM 94NH,SHIELDED, POWERED IRON CORE	80009	114-0476-00
A2A3L6	114-0476-00			COIL,RF:VARIABLE 89-98UH,NOM 94NH,SHIELDED, POWERED IRON CORE	80009	114-0476-00
A2A3L7	108-0212-00			COIL,RF:FIXED,495NH	80009	108-0212-00
A2A3P6	131-0993-02			BUS,CONDUCTOR:SHUNT ASSEMBLY,RED	00779	1-850100-0
A2A3Q1	151-0427-00			TRANSISTOR,SIG:BIPOLAR,NPN;15V,50MA,900 MHZ ,AMPLIFIER;2N5770,TO-92 EBC	80009	151-0427-00
A2A3R1	322-3001-00			RES,FXD,FILM:10 OHM,1%,0.2W,TC=TO	80009	322-3001-00
A2A3R2	322-3068-00			RES,FXD,FILM:49.9 OHM,1%,0.2W,TC=TO	80009	322-3068-00
A2A3R3	322-3193-00			RES,FXD,FILM:1K OHM,1%,0.2W,TC=TO	57668	CRB20 FXE 1K00
A2A3R4	322-3193-00			RES,FXD,FILM:1K OHM,1%,0.2W,TC=TO	57668	CRB20 FXE 1K00
A2A3R6	322-3097-00			RES,FXD,FILM:100 OHM,1%,0.2W,TC=TO	57668	CRB20 FXE 100E
A2A3R7	322-3143-00			RES,FXD,FILM:301 OHM,1%,0.2W,TC=TO	57668	CRB20 FXE 301E
A2A3R8	322-3085-00			RES,FXD,FILM:75 OHM,1%,0.2W,TC=TO	57668	CRB20 FXE 75E0
A2A3R9	322-3085-00			RES,FXD,FILM:75 OHM,1%,0.2W,TC=TO	57668	CRB20 FXE 75E0
A2A3R10	322-3164-00			RES,FXD,FILM:499 OHM,1%,0.2W,TC=TO	57668	CRB20 FXE 499E
A2A3R11	322-3164-00			RES,FXD,FILM:499 OHM,1%,0.2W,TC=TO	57668	CRB20 FXE 499E
A2A3R12	322-3066-00			RES,FXD,FILM:47.5 OHM,1%,0.2W,TC=TO	09969	CCF502G47R50F
A2A3R13	322-3058-00			RES,FXD,FILM:39.2 OHM,1%,0.2W,TC=TO	80009	322-3058-00
A2A3R14	322-3070-00			RES,FXD,FILM:52.3 OHM,1%,0.2W,TC=TO	80009	322-3070-00
A2A3TP1	214-4085-00			TERM,TEST POINT:0.070 ID,0.220 H,0.063 DIA PCB,0.015 X 0.032 BRASS,W/ RED NYLON COLLAR	26364	104-01-02
A2A3TP2	214-4085-00			TERM,TEST POINT:0.070 ID,0.220 H,0.063 DIA PCB,0.015 X 0.032 BRASS,W/ RED NYLON COLLAR	26364	104-01-02
A2A3U1	156-3047-00			MICROCKT,LINEAR:MONOLITHIC,RF AMPLIFIER	80009	156-3047-00
A2A3U2	156-1640-00			IC,DIGITAL:ECL,RECEIVER;TRIPLE LINE;10H116, DIP16.3,TUBE	80009	156-1640-00
A3	671-1789-02	B010100	B010116	CIRCUIT BD ASSY:OUTPUT	80009	671-1789-02
A3	671-1789-03	B010117	B010139	CIRCUIT BD ASSY:OUTPUT	80009	671-1789-03
A3	671-1789-04	B010140	B010231	CIRCUIT BD ASSY:OUTPUT	80009	671-1789-04
A3	671-1789-05	B010232		CIRCUIT BD ASSY:OUTPUT	80009	671-1789-05
A3C16	281-0153-00			CAP,VAR,AIR DI:1.7-10PF,250V	80009	281-0153-00
A3C18	281-0775-01			CAP,FXD,CER DI:0.1UF,20%,50V	04222	SA105E104MAA
A3C19	281-0775-01			CAP,FXD,CER DI:0.1UF,20%,50V	04222	SA105E104MAA
A3C20	290-0974-00			CAP,FXD,ELCTLT:10UF,20%,50VDC	55680	UVX1H100MAA
A3C21	290-0974-00			CAP,FXD,ELCTLT:10UF,20%,50VDC	55680	UVX1H100MAA
A3C25	281-0775-01			CAP,FXD,CER DI:0.1UF,20%,50V	04222	SA105E104MAA
A3C26	281-0775-01			CAP,FXD,CER DI:0.1UF,20%,50V	04222	SA105E104MAA
A3C27	281-0775-01			CAP,FXD,CER DI:0.1UF,20%,50V	04222	SA105E104MAA
A3C28	290-0974-00			CAP,FXD,ELCTLT:10UF,20%,50VDC	55680	UVX1H100MAA
A3C30	281-0775-01			CAP,FXD,CER DI:0.1UF,20%,50V	04222	SA105E104MAA
A3C32	281-0775-01			CAP,FXD,CER DI:0.1UF,20%,50V	04222	SA105E104MAA
A3C33	290-0974-00			CAP,FXD,ELCTLT:10UF,20%,50VDC	55680	UVX1H100MAA

TSG 1001 - REPLACEABLE ELECTRICAL PARTS LIST

Component No.	Tektronix Part No.	Serial/Assembly No. Effective Discort	Name & Description	Mfr. Code	Mfr. Part No.
A3C34	281-0775-01		CAP, FXD, CER DI: 0.1UF, 20%, 50V	04222	SA105E104MAA
A3C35	281-0775-01		CAP, FXD, CER DI: 0.1UF, 20%, 50V	04222	SA105E104MAA
A3C36	281-0775-01		CAP, FXD, CER DI: 0.1UF, 20%, 50V	04222	SA105E104MAA
A3C37	281-0775-01		CAP, FXD, CER DI: 0.1UF, 20%, 50V	04222	SA105E104MAA
A3C38	283-0601-00		CAP, FXD, MICA DI: 22PF, 10%, 300V	80009	283-0601-00
A3C39	283-0330-00		CAP, FXD, CER DI: 100PF, 5%, 50V	05397	C320C101J5R5CA
A3C40	281-0775-01		CAP, FXD, CER DI: 0.1UF, 20%, 50V	04222	SA105E104MAA
A3C44	281-0775-01		CAP, FXD, CER DI: 0.1UF, 20%, 50V	04222	SA105E104MAA
A3C45	281-0775-01		CAP, FXD, CER DI: 0.1UF, 20%, 50V	04222	SA105E104MAA
A3C46	281-0775-01		CAP, FXD, CER DI: 0.1UF, 20%, 50V	04222	SA105E104MAA
A3C47	290-0974-00		CAP, FXD, ELCTLT: 10UF, 20%, 50VDC	55680	UVX1H100MAA
A3C51	281-0775-01		CAP, FXD, CER DI: 0.1UF, 20%, 50V	04222	SA105E104MAA
A3C52	290-0974-00		CAP, FXD, ELCTLT: 10UF, 20%, 50VDC	55680	UVX1H100MAA
A3C53	281-0775-01		CAP, FXD, CER DI: 0.1UF, 20%, 50V	04222	SA105E104MAA
A3C54	281-0775-01		CAP, FXD, CER DI: 0.1UF, 20%, 50V	04222	SA105E104MAA
A3C55	281-0775-01		CAP, FXD, CER DI: 0.1UF, 20%, 50V	04222	SA105E104MAA
A3C56	281-0775-01		CAP, FXD, CER DI: 0.1UF, 20%, 50V	04222	SA105E104MAA
A3C57	283-0601-00		CAP, FXD, MICA DI: 22PF, 10%, 300V	80009	283-0601-00
A3C58	283-0330-00		CAP, FXD, CER DI: 100PF, 5%, 50V	05397	C320C101J5R5CA
A3C59	281-0775-01		CAP, FXD, CER DI: 0.1UF, 20%, 50V	04222	SA105E104MAA
A3C63	281-0775-01		CAP, FXD, CER DI: 0.1UF, 20%, 50V	04222	SA105E104MAA
A3C64	281-0775-01		CAP, FXD, CER DI: 0.1UF, 20%, 50V	04222	SA105E104MAA
A3C65	281-0775-01		CAP, FXD, CER DI: 0.1UF, 20%, 50V	04222	SA105E104MAA
A3C66	290-0974-00		CAP, FXD, ELCTLT: 10UF, 20%, 50VDC	55680	UVX1H100MAA
A3C70	281-0775-01		CAP, FXD, CER DI: 0.1UF, 20%, 50V	04222	SA105E104MAA
A3C71	290-0974-00		CAP, FXD, ELCTLT: 10UF, 20%, 50VDC	55680	UVX1H100MAA
A3C72	281-0775-01		CAP, FXD, CER DI: 0.1UF, 20%, 50V	04222	SA105E104MAA
A3C73	281-0775-01		CAP, FXD, CER DI: 0.1UF, 20%, 50V	04222	SA105E104MAA
A3C74	281-0775-01		CAP, FXD, CER DI: 0.1UF, 20%, 50V	04222	SA105E104MAA
A3C75	281-0775-01		CAP, FXD, CER DI: 0.1UF, 20%, 50V	04222	SA105E104MAA
A3C76	283-0601-00		CAP, FXD, MICA DI: 22PF, 10%, 300V	80009	283-0601-00
A3C77	283-0330-00		CAP, FXD, CER DI: 100PF, 5%, 50V	05397	C320C101J5R5CA
A3C78	281-0775-01		CAP, FXD, CER DI: 0.1UF, 20%, 50V	04222	SA105E104MAA
A3C86	281-0775-01		CAP, FXD, CER DI: 0.1UF, 20%, 50V	04222	SA105E104MAA
A3C87	281-0775-01		CAP, FXD, CER DI: 0.1UF, 20%, 50V	04222	SA105E104MAA
A3C90	283-0330-00		CAP, FXD, CER DI: 100PF, 5%, 50V	05397	C320C101J5R5CA
A3C93	281-0775-01		CAP, FXD, CER DI: 0.1UF, 20%, 50V	04222	SA105E104MAA
A3C94	283-0644-00		CAP, FXD, MICA DI: 150PF, 1%, 500V	80009	283-0644-00
A3C103	283-0635-00		CAP, FXD, MICA DI: 51PF, 1%, 500V	80009	283-0635-00
A3C113	281-0775-01		CAP, FXD, CER DI: 0.1UF, 20%, 50V	04222	SA105E104MAA
A3C136	281-0775-01		CAP, FXD, CER DI: 0.1UF, 20%, 50V	04222	SA105E104MAA
A3C143	290-0974-00		CAP, FXD, ELCTLT: 10UF, 20%, 50VDC	55680	UVX1H100MAA
A3C144	281-0775-01		CAP, FXD, CER DI: 0.1UF, 20%, 50V	04222	SA105E104MAA
A3C145	281-0775-01		CAP, FXD, CER DI: 0.1UF, 20%, 50V	04222	SA105E104MAA
A3C146	290-0974-00		CAP, FXD, ELCTLT: 10UF, 20%, 50VDC	55680	UVX1H100MAA
A3C147	281-0775-01		CAP, FXD, CER DI: 0.1UF, 20%, 50V	04222	SA105E104MAA
A3C148	281-0775-01		CAP, FXD, CER DI: 0.1UF, 20%, 50V	04222	SA105E104MAA
A3C149	281-0775-01		CAP, FXD, CER DI: 0.1UF, 20%, 50V	04222	SA105E104MAA
A3C150	290-0974-00		CAP, FXD, ELCTLT: 10UF, 20%, 50VDC	55680	UVX1H100MAA
A3C151	281-0775-01		CAP, FXD, CER DI: 0.1UF, 20%, 50V	04222	SA105E104MAA
A3C152	281-0775-01		CAP, FXD, CER DI: 0.1UF, 20%, 50V	04222	SA105E104MAA
A3C153	281-0775-01		CAP, FXD, CER DI: 0.1UF, 20%, 50V	04222	SA105E104MAA
A3C154	281-0775-01		CAP, FXD, CER DI: 0.1UF, 20%, 50V	04222	SA105E104MAA
A3C155	283-0642-00		CAP, FXD, MICA DI: 33PF, +/-0.5PF, 500V	00853	D105E330GO
A3C156	281-0775-01		CAP, FXD, CER DI: 0.1UF, 20%, 50V	04222	SA105E104MAA
A3C157	281-0775-01		CAP, FXD, CER DI: 0.1UF, 20%, 50V	04222	SA105E104MAA
A3C158	281-0775-01		CAP, FXD, CER DI: 0.1UF, 20%, 50V	04222	SA105E104MAA
A3C159	281-0775-01		CAP, FXD, CER DI: 0.1UF, 20%, 50V	04222	SA105E104MAA
A3C160	281-0775-01		CAP, FXD, CER DI: 0.1UF, 20%, 50V	04222	SA105E104MAA

Component No.	Tektronix	Serial/Assembly No.		Name & Description	Mfr.	Mfr. Part No.
	Part No.	Effective	Discort		Code	
A3C161	283-0642-00			CAP, FXD, MICA DI: 33PF, +/-0.5PF, 500V	00853	D105E330G0
A3C177	281-0153-00			CAP, VAR, AIR DI: 1.7-10PF, 250V	80009	281-0153-00
A3C179	281-0775-01			CAP, FXD, CER DI: 0.1UF, 20%, 50V	04222	SA105E104MAA
A3C180	281-0775-01			CAP, FXD, CER DI: 0.1UF, 20%, 50V	04222	SA105E104MAA
A3C181	290-0974-00			CAP, FXD, ELCTLT: 10UF, 20%, 50VDC	55680	UVX1H100MAA
A3C182	290-0974-00			CAP, FXD, ELCTLT: 10UF, 20%, 50VDC	55680	UVX1H100MAA
A3C200	281-0153-00			CAP, VAR, AIR DI: 1.7-10PF, 250V	80009	281-0153-00
A3C202	281-0775-01			CAP, FXD, CER DI: 0.1UF, 20%, 50V	04222	SA105E104MAA
A3C203	281-0775-01			CAP, FXD, CER DI: 0.1UF, 20%, 50V	04222	SA105E104MAA
A3C204	290-0974-00			CAP, FXD, ELCTLT: 10UF, 20%, 50VDC	55680	UVX1H100MAA
A3C205	290-0974-00			CAP, FXD, ELCTLT: 10UF, 20%, 50VDC	55680	UVX1H100MAA
A3C234	281-0775-01	671-1789-02	671-1789-04	CAP, FXD, CER DI: 0.1UF, 20%, 50V	04222	SA105E104MAA
A3C236	281-0775-01			CAP, FXD, CER DI: 0.1UF, 20%, 50V	04222	SA105E104MAA
A3C237	281-0775-01			CAP, FXD, CER DI: 0.1UF, 20%, 50V	04222	SA105E104MAA
A3C238	281-0775-01			CAP, FXD, CER DI: 0.1UF, 20%, 50V	04222	SA105E104MAA
A3C240	281-0775-01			CAP, FXD, CER DI: 0.1UF, 20%, 50V	04222	SA105E104MAA
A3C241	281-0775-01			CAP, FXD, CER DI: 0.1UF, 20%, 50V	04222	SA105E104MAA
A3C242	281-0775-01			CAP, FXD, CER DI: 0.1UF, 20%, 50V	04222	SA105E104MAA
A3C243	281-0775-01			CAP, FXD, CER DI: 0.1UF, 20%, 50V	04222	SA105E104MAA
A3C244	281-0775-01			CAP, FXD, CER DI: 0.1UF, 20%, 50V	04222	SA105E104MAA
A3C245	281-0775-01			CAP, FXD, CER DI: 0.1UF, 20%, 50V	04222	SA105E104MAA
A3C246	281-0775-01			CAP, FXD, CER DI: 0.1UF, 20%, 50V	04222	SA105E104MAA
A3C247	283-0898-00			CAP, FXD, CER DI: 2.7PF, 50V, 0.25%	04222	SR295A2R7CAATR
A3C248	283-0898-00			CAP, FXD, CER DI: 2.7PF, 50V, 0.25%	04222	SR295A2R7CAATR
A3C249	281-0775-01			CAP, FXD, CER DI: 0.1UF, 20%, 50V	04222	SA105E104MAA
A3C250	281-0775-01			CAP, FXD, CER DI: 0.1UF, 20%, 50V	04222	SA105E104MAA
A3C251	290-0974-00			CAP, FXD, ELCTLT: 10UF, 20%, 50VDC	55680	UVX1H100MAA
A3C252	283-0107-00			CAP, FXD, CER DI: 51PF, 5%, 200V	04222	SR202A51QJAA
A3C253	283-0159-00			CAP, FXD, CER DI: 18PF, 5%, 50V	05397	C315C180J5G5CA
A3C254	283-0107-00			CAP, FXD, CER DI: 51PF, 5%, 200V	04222	SR202A51QJAA
A3C255	290-0974-00			CAP, FXD, ELCTLT: 10UF, 20%, 50VDC	55680	UVX1H100MAA
A3C256	281-0775-01			CAP, FXD, CER DI: 0.1UF, 20%, 50V	04222	SA105E104MAA
A3C257	281-0775-01			CAP, FXD, CER DI: 0.1UF, 20%, 50V	04222	SA105E104MAA
A3C258	281-0775-01			CAP, FXD, CER DI: 0.1UF, 20%, 50V	04222	SA105E104MAA
A3C259	283-0107-00			CAP, FXD, CER DI: 51PF, 5%, 200V	04222	SR202A51QJAA
A3C260	283-0159-00			CAP, FXD, CER DI: 18PF, 5%, 50V	05397	C315C180J5G5CA
A3C261	283-0107-00			CAP, FXD, CER DI: 51PF, 5%, 200V	04222	SR202A51QJAA
A3C262	281-0775-01			CAP, FXD, CER DI: 0.1UF, 20%, 50V	04222	SA105E104MAA
A3C263	290-0974-00			CAP, FXD, ELCTLT: 10UF, 20%, 50VDC	55680	UVX1H100MAA
A3C264	281-0775-01			CAP, FXD, CER DI: 0.1UF, 20%, 50V	04222	SA105E104MAA
A3C265	281-0775-01			CAP, FXD, CER DI: 0.1UF, 20%, 50V	04222	SA105E104MAA
A3C266	283-0107-00			CAP, FXD, CER DI: 51PF, 5%, 200V	04222	SR202A51QJAA
A3C267	283-0159-00			CAP, FXD, CER DI: 18PF, 5%, 50V	05397	C315C180J5G5CA
A3C268	283-0107-00			CAP, FXD, CER DI: 51PF, 5%, 200V	04222	SR202A51QJAA
A3C269	290-0973-00			CAP, FXD, ELCTLT: 100UF, 20%, 25VDC	24165	513D107M025BB4D
A3C270	290-0973-00			CAP, FXD, ELCTLT: 100UF, 20%, 25VDC	24165	513D107M025BB4D
A3C271	290-0973-00			CAP, FXD, ELCTLT: 100UF, 20%, 25VDC	24165	513D107M025BB4D
A3C272	290-0973-00			CAP, FXD, ELCTLT: 100UF, 20%, 25VDC	24165	513D107M025BB4D
A3C273	290-0973-00			CAP, FXD, ELCTLT: 100UF, 20%, 25VDC	24165	513D107M025BB4D
A3C274	290-0974-00			CAP, FXD, ELCTLT: 10UF, 20%, 50VDC	55680	UVX1H100MAA
A3C275	281-0775-01			CAP, FXD, CER DI: 0.1UF, 20%, 50V	04222	SA105E104MAA
A3C276	281-0775-01			CAP, FXD, CER DI: 0.1UF, 20%, 50V	04222	SA105E104MAA
A3C278	281-0775-01	671-1789-02	671-1789-02	CAP, FXD, CER DI: 0.1UF, 20%, 50V	04222	SA105E104MAA
A3C282	281-0775-01			CAP, FXD, CER DI: 0.1UF, 20%, 50V	04222	SA105E104MAA
A3C283	283-0223-00			CAP, FXD, CER DI: 3PF, +/-5PF, 50V	TK1134	835XXCQJ0309D
A3C284	283-0223-00			CAP, FXD, CER DI: 3PF, +/-5PF, 50V	TK1134	835XXCQJ0309D
A3C285	283-0223-00			CAP, FXD, CER DI: 3PF, +/-5PF, 50V	TK1134	835XXCQJ0309D
A3C286	283-0223-00			CAP, FXD, CER DI: 3PF, +/-5PF, 50V	TK1134	835XXCQJ0309D
A3C287	281-0775-01			CAP, FXD, CER DI: 0.1UF, 20%, 50V	04222	SA105E104MAA

TSG 1001 - REPLACEABLE ELECTRICAL PARTS LIST

Component No.	Tektronix Part No.	Serial/Assembly No. Effective	Dscont	Name & Description	Mfr. Code	Mfr. Part No.
A3C288	281-0775-01			CAP,FXD,CER DI:0.1UF,20%,50V	04222	SA105E104MAA
A3C289	283-0223-00			CAP,FXD,CER DI:3PF,+/-5PF,50V	TK1134	835XXCQJ0309D
A3C290	283-0223-00			CAP,FXD,CER DI:3PF,+/-5PF,50V	TK1134	835XXCQJ0309D
A3C291	290-0973-00			CAP,FXD,ELCTLT:100UF,20%,25VDC	24165	513D107M025BB4D
A3C292	281-0775-01			CAP,FXD,CER DI:0.1UF,20%,50V	04222	SA105E104MAA
A3C293	281-0775-01			CAP,FXD,CER DI:0.1UF,20%,50V	04222	SA105E104MAA
A3C294	281-0775-01			CAP,FXD,CER DI:0.1UF,20%,50V	04222	SA105E104MAA
A3C295	281-0775-01			CAP,FXD,CER DI:0.1UF,20%,50V	04222	SA105E104MAA
A3C296	281-0775-01			CAP,FXD,CER DI:0.1UF,20%,50V	04222	SA105E104MAA
A3C297	281-0775-01			CAP,FXD,CER DI:0.1UF,20%,50V	04222	SA105E104MAA
A3C298	281-0775-01			CAP,FXD,CER DI:0.1UF,20%,50V	04222	SA105E104MAA
A3C299	281-0775-01			CAP,FXD,CER DI:0.1UF,20%,50V	04222	SA105E104MAA
A3C300	281-0775-01			CAP,FXD,CER DI:0.1UF,20%,50V	04222	SA105E104MAA
A3C301	281-0775-01	671-1789-02	671-1789-04	CAP,FXD,CER DI:0.1UF,20%,50V	04222	SA105E104MAA
A3C302	281-0775-01	671-1789-02	671-1789-04	CAP,FXD,CER DI:0.1UF,20%,50V	04222	SA105E104MAA
A3C303	281-0775-01	671-1789-02	671-1789-04	CAP,FXD,CER DI:0.1UF,20%,50V	04222	SA105E104MAA
A3C304	281-0775-01			CAP,FXD,CER DI:0.1UF,20%,50V	04222	SA105E104MAA
A3C305	281-0775-01	671-1789-02	671-1789-02	CAP,FXD,CER DI:0.1UF,20%,50V	04222	SA105E104MAA
A3C306	281-0166-00	671-1789-02	671-1789-02	CAP,VAR,AIR DI:1.9-15.7 PF,250V	80009	281-0166-00
A3C307	281-0775-01			CAP,FXD,CER DI:0.1UF,20%,50V	04222	SA105E104MAA
A3C314	283-0059-00			CAP,FXD,CER DI:1UF,+80-20%,50V	04222	SR305C105MAA
A3C315	283-0059-00			CAP,FXD,CER DI:1UF,+80-20%,50V	04222	SR305C105MAA
A3C316	283-0059-00			CAP,FXD,CER DI:1UF,+80-20%,50V	04222	SR305C105MAA
A3C317	283-0780-00			CAP,FXD,MICA DI:125PF,1%,500V	00853	D155F1250F0
A3C317	283-0780-00	671-1789-03		CAP,FXD,MICA DI:125PF,1%,500V	00853	D155F1250F0
A3C318	281-0775-01			CAP,FXD,CER DI:0.1UF,20%,50V	04222	SA105E104MAA
A3C319	290-0748-00			CAP,FXD,ELCTLT:10UF,+50-20%,25WVDC	24165	501D106F063LL4
A3C320	281-0775-01	671-1789-02	671-1789-02	CAP,FXD,CER DI:0.1UF,20%,50V	04222	SA105E104MAA
A3C321	281-0775-01			CAP,FXD,CER DI:0.1UF,20%,50V	04222	SA105E104MAA
A3C322	290-0748-00			CAP,FXD,ELCTLT:10UF,+50-20%,25WVDC	24165	501D106F063LL4
A3C323	281-0775-01			CAP,FXD,CER DI:0.1UF,20%,50V	04222	SA105E104MAA
A3C324	281-0775-01			CAP,FXD,CER DI:0.1UF,20%,50V	04222	SA105E104MAA
A3C325	281-0775-01	671-1789-02	671-1789-02	CAP,FXD,CER DI:0.1UF,20%,50V	04222	SA105E104MAA
A3C326	283-0728-00	671-1789-02	671-1789-02	CAP,FXD,MICA DI:120PF,1%,500V	80009	283-0728-00
A3C326	283-0066-00	671-1789-03		CAP,FXD,CER DI:2.5PF,+/-0.5PF,200V	72982	8101-047CQJ259D
A3C327	283-0728-00	671-1789-02	671-1789-02	CAP,FXD,MICA DI:120PF,1%,500V	80009	283-0728-00
A3C327	283-0066-00	671-1789-03		CAP,FXD,CER DI:2.5PF,+/-0.5PF,200V	72982	8101-047CQJ259D
A3C328	283-0728-00	671-1789-02	671-1789-02	CAP,FXD,MICA DI:120PF,1%,500V	80009	283-0728-00
A3C328	283-0066-00	671-1789-03		CAP,FXD,CER DI:2.5PF,+/-0.5PF,200V	72982	8101-047CQJ259D
A3C329	281-0775-01			CAP,FXD,CER DI:0.1UF,20%,50V	04222	SA105E104MAA
A3C330	281-0775-01	671-1789-03		CAP,FXD,CER DI:0.1UF,20%,50V	04222	SA105E104MAA
A3C331	281-0775-01	671-1789-03		CAP,FXD,CER DI:0.1UF,20%,50V	04222	SA105E104MAA
A3C332	281-0775-01	671-1789-03		CAP,FXD,CER DI:0.1UF,20%,50V	04222	SA105E104MAA
A3C333	281-0775-01	671-1789-03		CAP,FXD,CER DI:0.1UF,20%,50V	04222	SA105E104MAA
A3C334	281-0775-01	671-1789-03		CAP,FXD,CER DI:0.1UF,20%,50V	04222	SA105E104MAA
A3C335	281-0775-01	671-1789-03		CAP,FXD,CER DI:0.1UF,20%,50V	04222	SA105E104MAA
A3C336	281-0775-01	671-1789-03		CAP,FXD,CER DI:0.1UF,20%,50V	04222	SA105E104MAA
A3C337	281-0775-01	671-1789-03		CAP,FXD,CER DI:0.1UF,20%,50V	04222	SA105E104MAA
A3C338	281-0775-01	671-1789-03		CAP,FXD,CER DI:0.1UF,20%,50V	04222	SA105E104MAA
A3C339	281-0775-01	671-1789-03		CAP,FXD,CER DI:0.1UF,20%,50V	04222	SA105E104MAA
A3C340	281-0775-01	671-1789-03		CAP,FXD,CER DI:0.1UF,20%,50V	04222	SA105E104MAA
A3C341	281-0775-01	671-1789-03		CAP,FXD,CER DI:0.1UF,20%,50V	04222	SA105E104MAA
A3C342	281-0775-01	671-1789-03		CAP,FXD,CER DI:0.1UF,20%,50V	04222	SA105E104MAA
A3C343	281-0775-01	671-1789-03		CAP,FXD,CER DI:0.1UF,20%,50V	04222	SA105E104MAA
A3C344	281-0775-01	671-1789-03		CAP,FXD,CER DI:0.1UF,20%,50V	04222	SA105E104MAA
A3C345	281-0775-01	671-1789-03		CAP,FXD,CER DI:0.1UF,20%,50V	04222	SA105E104MAA
A3C346	281-0775-01	671-1789-03		CAP,FXD,CER DI:0.1UF,20%,50V	04222	SA105E104MAA
A3C347	281-0775-01	671-1789-03		CAP,FXD,CER DI:0.1UF,20%,50V	04222	SA105E104MAA
A3C348	281-0775-01	671-1789-03		CAP,FXD,CER DI:0.1UF,20%,50V	04222	SA105E104MAA

Component No.	Tektronix Part No.	Serial/Assembly No. Effective	Dscont	Name & Description	Mfr. Code	Mfr. Part No.
A3C349	281-0775-01	671-1789-03		CAP,FXD,CER DI:0.1UF,20%,50V	04222	SA105E104MAA
A3C350	281-0775-01	671-1789-03		CAP,FXD,CER DI:0.1UF,20%,50V	04222	SA105E104MAA
A3C351	281-0775-01	671-1789-03		CAP,FXD,CER DI:0.1UF,20%,50V	04222	SA105E104MAA
A3C352	281-0775-01	671-1789-03		CAP,FXD,CER DI:0.1UF,20%,50V	04222	SA105E104MAA
A3C353	281-0775-01	671-1789-03		CAP,FXD,CER DI:0.1UF,20%,50V	04222	SA105E104MAA
A3C354	281-0775-01	671-1789-03		CAP,FXD,CER DI:0.1UF,20%,50V	04222	SA105E104MAA
A3C355	281-0775-01	671-1789-03		CAP,FXD,CER DI:0.1UF,20%,50V	04222	SA105E104MAA
A3C356	281-0775-01	671-1789-03		CAP,FXD,CER DI:0.1UF,20%,50V	04222	SA105E104MAA
A3C357	281-0775-01	671-1789-03		CAP,FXD,CER DI:0.1UF,20%,50V	04222	SA105E104MAA
A3C358	281-0775-01	671-1789-03		CAP,FXD,CER DI:0.1UF,20%,50V	04222	SA105E104MAA
A3C359	281-0775-01	671-1789-03		CAP,FXD,CER DI:0.1UF,20%,50V	04222	SA105E104MAA
A3C360	281-0775-01	671-1789-03		CAP,FXD,CER DI:0.1UF,20%,50V	04222	SA105E104MAA
A3C361	283-0766-00	671-1789-03	671-1789-03	CAP,FXD,MICA DI:47 PF,1%,500V	80009	283-0766-00
A3C361	283-0784-00	671-1789-04		CAP,FXD,MICA DI:40PF,2%,500V	80009	283-0784-00
A3C362	281-0775-01	671-1789-03		CAP,FXD,CER DI:0.1UF,20%,50V	04222	SA105E104MAA
A3C363	281-0775-01	671-1789-03		CAP,FXD,CER DI:0.1UF,20%,50V	04222	SA105E104MAA
A3C364	281-0775-01	671-1789-03		CAP,FXD,CER DI:0.1UF,20%,50V	04222	SA105E104MAA
A3CR3	152-0725-00			SEMICON DVC,DI:SI,SCHOTTKY,20V,1.2PF,DO-35	21847	A2X1582
A3CR4	152-0725-00			SEMICON DVC,DI:SI,SCHOTTKY,20V,1.2PF,DO-35	21847	A2X1582
A3CR5	152-0725-00			SEMICON DVC,DI:SI,SCHOTTKY,20V,1.2PF,DO-35	21847	A2X1582
A3CR6	152-0725-00			SEMICON DVC,DI:SI,SCHOTTKY,20V,1.2PF,DO-35	21847	A2X1582
A3CR13	152-0141-02			DIODE,SIG:,ULTRA FAST;40V,150MA,4NS,2PF;1N4152,DO-35,TR	80009	152-0141-02
A3CR14	152-0141-02			DIODE,SIG:,ULTRA FAST;40V,150MA,4NS,2PF;1N4152,DO-35,TR	80009	152-0141-02
A3CR15	152-0141-02			DIODE,SIG:,ULTRA FAST;40V,150MA,4NS,2PF;1N4152,DO-35,TR	80009	152-0141-02
A3CR16	152-0141-02			DIODE,SIG:,ULTRA FAST;40V,150MA,4NS,2PF;1N4152,DO-35,TR	80009	152-0141-02
A3CR17	152-0141-02			DIODE,SIG:,ULTRA FAST;40V,150MA,4NS,2PF;1N4152,DO-35,TR	80009	152-0141-02
A3CR18	152-0141-02			DIODE,SIG:,ULTRA FAST;40V,150MA,4NS,2PF;1N4152,DO-35,TR	80009	152-0141-02
A3CR20	152-0141-02			DIODE,SIG:,ULTRA FAST;40V,150MA,4NS,2PF;1N4152,DO-35,TR	80009	152-0141-02
A3CR21	152-0725-00			SEMICON DVC,DI:SI,SCHOTTKY,20V,1.2PF,DO-35	21847	A2X1582
A3DL3	119-4106-00			DELAY LINE,ELEC:	80009	119-4106-00
A3DL4	119-1380-00			DELAY LINE,ELEC:10NS,100 OHM,TAPPED,7 SIP	80009	119-1380-00
A3DL5	119-4106-00			DELAY LINE,ELEC:	80009	119-4106-00
A3DS1	150-1017-00			LT EMITTING DIO:GREEN,550NM,55MA MAX	80009	150-1017-00
A3E1	276-0818-00	671-1789-03		COIL,EM:100MHZ,FERRITE,BEAD ON LEAD, IMP: 100 OHM @ 100MHZ,	80009	276-0818-00
A3E2	276-0818-00	671-1789-03		COIL,EM:100MHZ,FERRITE,BEAD ON LEAD, IMP: 100 OHM @ 100MHZ,	80009	276-0818-00
A3E3	276-0818-00	671-1789-03		COIL,EM:100MHZ,FERRITE,BEAD ON LEAD, IMP: 100 OHM @ 100MHZ,	80009	276-0818-00
A3E4	276-0818-00	671-1789-03		COIL,EM:100MHZ,FERRITE,BEAD ON LEAD, IMP: 100 OHM @ 100MHZ,	80009	276-0818-00
A3E5	276-0818-00	671-1789-03		COIL,EM:100MHZ,FERRITE,BEAD ON LEAD, IMP: 100 OHM @ 100MHZ,	80009	276-0818-00
A3E6	276-0818-00	671-1789-03		COIL,EM:100MHZ,FERRITE,BEAD ON LEAD, IMP: 100 OHM @ 100MHZ,	80009	276-0818-00
A3E7	276-0818-00	671-1789-03		COIL,EM:100MHZ,FERRITE,BEAD ON LEAD, IMP: 100 OHM @ 100MHZ,	80009	276-0818-00
A3E8	276-0818-00	671-1789-03		COIL,EM:100MHZ,FERRITE,BEAD ON LEAD, IMP: 100 OHM @ 100MHZ,	80009	276-0818-00
A3E9	276-0818-00	671-1789-03		COIL,EM:100MHZ,FERRITE,BEAD ON LEAD, IMP: 100 OHM @ 100MHZ,	80009	276-0818-00

TSG 1001 - REPLACEABLE ELECTRICAL PARTS LIST

Component No.	Tektronix Part No.	Serial/Assembly No. Effective	Discont	Name & Description	Mfr. Code	Mfr. Part No.
A3E10	276-0818-00	671-1789-03		COIL,EM:100MHZ,FERRITE,BEAD ON LEAD, IMP: 1 00 OHM @ 100MHZ,	80009	276-0818-00
A3E11	276-0818-00	671-1789-03		COIL,EM:100MHZ,FERRITE,BEAD ON LEAD, IMP: 1 00 OHM @ 100MHZ,	80009	276-0818-00
A3E12	276-0818-00	671-1789-03		COIL,EM:100MHZ,FERRITE,BEAD ON LEAD, IMP: 1 00 OHM @ 100MHZ,	80009	276-0818-00
A3E13	276-0818-00	671-1789-03		COIL,EM:100MHZ,FERRITE,BEAD ON LEAD, IMP: 1 00 OHM @ 100MHZ,	80009	276-0818-00
A3E14	276-0818-00	671-1789-03		COIL,EM:100MHZ,FERRITE,BEAD ON LEAD, IMP: 1 00 OHM @ 100MHZ,	80009	276-0818-00
A3E15	276-0818-00	671-1789-03		COIL,EM:100MHZ,FERRITE,BEAD ON LEAD, IMP: 1 00 OHM @ 100MHZ,	80009	276-0818-00
A3J1	131-3378-00			CONN,RF JACK::	00779	227677-1
A3J2	131-3378-00			CONN,RF JACK::	00779	227677-1
A3J8	131-0608-00			TERMINAL,PIN:0.365 L X 0.025 BRZ GLD PL (QUANTITY 3)	80009	131-0608-00
A3J21	131-3378-00			CONN,RF JACK::	00779	227677-1
A3J22	131-3378-00			CONN,RF JACK::	00779	227677-1
A3J23	131-0608-00			TERMINAL,PIN:0.365 L X 0.025 BRZ GLD PL (QUANTITY 3)	80009	131-0608-00
A3J24	131-3364-00			CONN,HDR:	80009	131-3364-00
A3J27	131-3378-00			CONN,RF JACK::	00779	227677-1
A3J28	131-3378-00			CONN,RF JACK::	00779	227677-1
A3J34	131-3378-00			CONN,RF JACK::	00779	227677-1
A3J35	131-3378-00			CONN,RF JACK::	00779	227677-1
A3J41	131-0787-00			TERMINAL,PIN: (QUANTITY 5)	80009	131-0787-00
A3J46	131-0787-00			TERMINAL,PIN:	80009	131-0787-00
A3J47	131-0787-00			TERMINAL,PIN:	80009	131-0787-00
A3J48	131-0787-00			TERMINAL,PIN:	80009	131-0787-00
A3J49	131-0787-00			TERMINAL,PIN:	80009	131-0787-00
A3J50	131-0787-00			TERMINAL,PIN:	80009	131-0787-00
A3J51	131-0787-00			TERMINAL,PIN:	80009	131-0787-00
A3J52	131-0787-00			TERMINAL,PIN:	80009	131-0787-00
A3J53	131-0787-00			TERMINAL,PIN:	80009	131-0787-00
A3J54	131-0787-00			TERMINAL,PIN:	80009	131-0787-00
A3J55	131-0787-00			TERMINAL,PIN:	80009	131-0787-00
A3J56	131-0787-00			TERMINAL,PIN:	80009	131-0787-00
A3J57	131-0787-00			TERMINAL,PIN:	80009	131-0787-00
A3J58	131-0608-00			TERMINAL,PIN:0.365 L X 0.025 BRZ GLD PL (QUANTITY 5)	80009	131-0608-00
A3J59	131-3323-00			CONN,HDR:	22526	66506-025
A3J60	131-3323-00			CONN,HDR:	22526	66506-025
A3J61	131-3364-00			CONN,HDR:	80009	131-3364-00
A3J62	131-3323-00			CONN,HDR:	22526	66506-025
A3J63	131-0608-00	671-1789-02	671-1789-02	TERMINAL,PIN:0.365 L X 0.025 BRZ GLD PL (QUANTITY 2)	80009	131-0608-00
A3J63	131-5301-00	671-1789-03		CONN,HDR:PCB,;MALE,STR,1 X 2,0.1 CTR,0.897 MLG X 0.128 TAIL,30 GOLD;;,	80009	131-5301-00
A3J64	131-0608-00			TERMINAL,PIN:0.365 L X 0.025 BRZ GLD PL (QUANTITY 20)	80009	131-0608-00
A3J65	131-0608-00	671-1789-02	671-1789-02	TERMINAL,PIN:0.365 L X 0.025 BRZ GLD PL (QUANTITY 2)	80009	131-0608-00
A3J65	131-5301-00	671-1789-03		CONN,HDR:PCB,;MALE,STR,1 X 2,0.1 CTR,0.897 MLG X 0.128 TAIL,30 GOLD;;,	80009	131-5301-00
A3J66	131-0608-00	671-1789-02	671-1789-02	TERMINAL,PIN:0.365 L X 0.025 BRZ GLD PL (QUANTITY 2)	80009	131-0608-00
A3J66	131-5301-00	671-1789-03		CONN,HDR:PCB,;MALE,STR,1 X 2,0.1 CTR,0.897 MLG X 0.128 TAIL,30 GOLD;;,	80009	131-5301-00
A3J67	131-0608-00			TERMINAL,PIN:0.365 L X 0.025 BRZ GLD PL	80009	131-0608-00



Component No.	Tektronix Part No.	Serial/Assembly No. Effective	Discont	Name & Description	Mfr. Code	Mfr. Part No.
A3J68	131-0608-00	671-1789-02	671-1789-02	(QUANTITY 2) TERMINAL,PIN:0.365 L X 0.025 BRZ GLD PL	80009	131-0608-00
A3J68	131-5301-00	671-1789-03		(QUANTITY 2) CONN,HDR:PCB,;MALE,STR,1 X 2,0.1 CTR,0.897 MLG X 0.128 TAIL,30 GOLD;,,	80009	131-5301-00
A3J69	131-0608-00			TERMINAL,PIN:0.365 L X 0.025 BRZ GLD PL	80009	131-0608-00
A3J71	131-0608-00			(QUANTITY 4) TERMINAL,PIN:0.365 L X 0.025 BRZ GLD PL	80009	131-0608-00
A3J73	131-0391-00			(QUANTITY 4) CONN,RF JACK:	80009	131-0391-00
A3J75	131-0608-00			TERMINAL,PIN:0.365 L X 0.025 BRZ GLD PL	80009	131-0608-00
A3J76	131-0608-00			(QUANTITY 5) TERMINAL,PIN:0.365 L X 0.025 BRZ GLD PL	80009	131-0608-00
A3J77	131-0608-00			(QUANTITY 5) TERMINAL,PIN:0.365 L X 0.025 BRZ GLD PL	80009	131-0608-00
A3J78	131-0608-00			(QUANTITY 5) TERMINAL,PIN:0.365 L X 0.025 BRZ GLD PL	80009	131-0608-00
A3J79	131-0608-00			(QUANTITY 5) TERMINAL,PIN:0.365 L X 0.025 BRZ GLD PL	80009	131-0608-00
A3J80	131-0608-00			(QUANTITY 2) TERMINAL,PIN:0.365 L X 0.025 BRZ GLD PL	80009	131-0608-00
A3J81	131-0608-00			(QUANTITY 5) TERMINAL,PIN:0.365 L X 0.025 BRZ GLD PL	80009	131-0608-00
A3J82	131-0608-00			(QUANTITY 3) TERMINAL,PIN:0.365 L X 0.025 BRZ GLD PL	80009	131-0608-00
A3J83	131-0608-00			(QUANTITY 5) TERMINAL,PIN:0.365 L X 0.025 BRZ GLD PL	80009	131-0608-00
A3J84	131-0608-00			(QUANTITY 5) TERMINAL,PIN:0.365 L X 0.025 BRZ GLD PL	80009	131-0608-00
A3K1	148-0232-00	671-1789-02	671-1789-02	RELAY,ARM:	61529	RG2E-12V
A3K2	148-0232-00			RELAY,ARM:	61529	RG2E-12V
A3L11	108-0315-00			COIL,RF:FIXED,220NH	32159	72203M
A3L13	108-0315-00			COIL,RF:FIXED,220NH	32159	72203M
A3L15	108-0315-00			COIL,RF:FIXED,220NH	32159	72203M
A3L17	108-0735-00			COIL,RF:FIXED,584NH	80009	108-0735-00
A3L18	108-1112-00			COIL,RF:FIXED 170UH	80009	108-1112-00
A3L22	108-0734-00			COIL,RF:FIXED,163NH	TK1345	108-0734-00
A3L23	108-0734-00			COIL,RF:FIXED,163NH	TK1345	108-0734-00
A3L24	108-0734-00			COIL,RF:FIXED,163NH	TK1345	108-0734-00
A3L25	108-0249-00			CHOKE,RF:FIXED,12MF	04072	B-4992
A3L26	108-0642-00			COIL,RF:FIXED,30NH,+/-15%,FORM 276-0145-00	80009	108-0642-00
A3L27	108-0642-00			COIL,RF:FIXED,30NH,+/-15%,FORM 276-0145-00	80009	108-0642-00
A3L28	108-0642-00			COIL,RF:FIXED,30NH,+/-15%,FORM 276-0145-00	80009	108-0642-00
A3L29	108-0642-00			COIL,RF:FIXED,30NH,+/-15%,FORM 276-0145-00	80009	108-0642-00
A3L30	108-0642-00			COIL,RF:FIXED,30NH,+/-15%,FORM 276-0145-00	80009	108-0642-00
A3L31	108-0642-00			COIL,RF:FIXED,30NH,+/-15%,FORM 276-0145-00	80009	108-0642-00
A3L32	108-0212-00	671-1789-02	671-1789-02	COIL,RF:FIXED,495NH	80009	108-0212-00
A3L33	108-0212-00			COIL,RF:FIXED,495NH	80009	108-0212-00
A3L34	108-0212-00			COIL,RF:FIXED,495NH	80009	108-0212-00
A3L35	120-0487-00	671-1789-03		XFMR,TOROID:	80009	120-0487-00
A3L36	120-0487-00	671-1789-03		XFMR,TOROID:	80009	120-0487-00
A3L37	108-0260-00	671-1789-03		COIL,RF:FIXED,98NH	TK2042	ORDER BY DESCR
A3P8	131-0993-02			BUS,CONDUCTOR:SHUNT ASSEMBLY,RED	00779	1-850100-0
A3P23	131-0993-02			BUS,CONDUCTOR:SHUNT ASSEMBLY,RED	00779	1-850100-0
A3P58	131-0993-02			BUS,CONDUCTOR:SHUNT ASSEMBLY,RED	00779	1-850100-0
A3P82	131-0993-02	671-1789-03		BUS,CONDUCTOR:SHUNT ASSEMBLY,RED	00779	1-850100-0
A3Q2	151-0656-00			TRANSISTOR:DARLINGTON,NPN,SI,TO-220	80009	151-0656-00
A3Q13	151-0190-00	671-1789-02	671-1789-02	TRANSISTOR,SIG:BIPOLAR,NPN;40V,200MA,300MHZ ,AMPLIFIER;2N3904,TO-92 EBC	80009	151-0190-00

TSG 1001 - REPLACEABLE ELECTRICAL PARTS LIST

Component No.	Tektronix Part No.	Serial/Assembly No. Effective	Discont	Name & Description	Mfr. Code	Mfr. Part No.
A3Q14	151-0190-00			TRANSISTOR, SIG: BIPOLAR, NPN; 40V, 200MA, 300MHZ , AMPLIFIER; 2N3904, TO-92 EBC	80009	151-0190-00
A3Q15	151-0188-00			TRANSISTOR, SIG: BIPOLAR, PNP; 40V, 200MA, 250MHZ , AMPLIFIER; 2N3906, TO-92 EBC	80009	151-0188-00
A3Q16	151-0190-00			TRANSISTOR, SIG: BIPOLAR, NPN; 40V, 200MA, 300MHZ , AMPLIFIER; 2N3904, TO-92 EBC	80009	151-0190-00
A3Q17	151-0188-00			TRANSISTOR, SIG: BIPOLAR, PNP; 40V, 200MA, 250MHZ , AMPLIFIER; 2N3906, TO-92 EBC	80009	151-0188-00
A3Q18	151-0188-00			TRANSISTOR, SIG: BIPOLAR, PNP; 40V, 200MA, 250MHZ , AMPLIFIER; 2N3906, TO-92 EBC	80009	151-0188-00
A3Q19	151-0699-00	671-1789-02	671-1789-02	TRANSISTOR: DARLINGTON, NPN, SI, TO-92	12969	U2TA508
A3Q20	151-0699-00			TRANSISTOR: DARLINGTON, NPN, SI, TO-92	12969	U2TA508
A3Q21	151-0190-00			TRANSISTOR, SIG: BIPOLAR, NPN; 40V, 200MA, 300MHZ , AMPLIFIER; 2N3904, TO-92 EBC	80009	151-0190-00
A3Q21	151-0190-00	671-1789-03		TRANSISTOR, SIG: BIPOLAR, NPN; 40V, 200MA, 300MHZ , AMPLIFIER; 2N3904, TO-92 EBC	80009	151-0190-00
A3Q22	151-0223-00			TRANSISTOR, SIG: BIPOLAR, NPN; 15V, 500MA, SWITCH ING; MPS2369A, TO-92 EBC	80009	151-0223-00
A3Q23	151-0220-00			TRANSISTOR, SIG: BIPOLAR, PNP; 40V, 200MA, 400MHZ , AMPLIFIER; 2N3906(SEL), TO-92 EBC	80009	151-0220-00
A3Q24	151-0190-00			TRANSISTOR, SIG: BIPOLAR, NPN; 40V, 200MA, 300MHZ , AMPLIFIER; 2N3904, TO-92 EBC	80009	151-0190-00
A3Q24	151-0190-00	671-1789-03		TRANSISTOR, SIG: BIPOLAR, NPN; 40V, 200MA, 300MHZ , AMPLIFIER; 2N3904, TO-92 EBC	80009	151-0190-00
A3Q25	151-0190-00			TRANSISTOR, SIG: BIPOLAR, NPN; 40V, 200MA, 300MHZ , AMPLIFIER; 2N3904, TO-92 EBC	80009	151-0190-00
A3Q25	151-0190-00	671-1789-03		TRANSISTOR, SIG: BIPOLAR, NPN; 40V, 200MA, 300MHZ , AMPLIFIER; 2N3904, TO-92 EBC	80009	151-0190-00
A3Q26	151-0188-00			TRANSISTOR, SIG: BIPOLAR, PNP; 40V, 200MA, 250MHZ , AMPLIFIER; 2N3906, TO-92 EBC	80009	151-0188-00
A3Q26	151-0188-00	671-1789-03		TRANSISTOR, SIG: BIPOLAR, PNP; 40V, 200MA, 250MHZ , AMPLIFIER; 2N3906, TO-92 EBC	80009	151-0188-00
A3Q27	151-0720-00	671-1789-03		TRANSISTOR: NPN, SI, TO-92	80009	151-0720-00
A3Q28	151-0720-00	671-1789-03		TRANSISTOR: NPN, SI, TO-92	80009	151-0720-00
A3R11	322-3085-00			RES, FXD, FILM: 75 OHM, 1%, 0.2W, TC=TO	57668	CRB20 FXE 75E0
A3R12	322-3075-00			RES, FXD, FILM: 59 OHM, 1%, 0.2W, TC=TO	80009	322-3075-00
A3R13	322-3001-00	671-1789-02	671-1789-02	RES, FXD, FILM: 10 OHM, 1%, 0.2W, TC=TO	80009	322-3001-00
A3R14	322-3001-00	671-1789-02	671-1789-02	RES, FXD, FILM: 10 OHM, 1%, 0.2W, TC=TO	80009	322-3001-00
A3R15	322-3085-00			RES, FXD, FILM: 75 OHM, 1%, 0.2W, TC=TO	57668	CRB20 FXE 75E0
A3R16	322-3085-00			RES, FXD, FILM: 75 OHM, 1%, 0.2W, TC=TO	57668	CRB20 FXE 75E0
A3R17	322-3135-00			RES, FXD, FILM: 249 OHM, 1%, 0.2W, TC=TO	80009	322-3135-00
A3R22	322-3162-00			RES, FXD, FILM: 475 OHM, 1%, 0.2W, TC=TO	80009	322-3162-00
A3R23	322-3162-00			RES, FXD, FILM: 475 OHM, 1%, 0.2W, TC=TO	80009	322-3162-00
A3R24	322-3085-00			RES, FXD, FILM: 75 OHM, 1%, 0.2W, TC=TO	57668	CRB20 FXE 75E0
A3R25	322-3085-00			RES, FXD, FILM: 75 OHM, 1%, 0.2W, TC=TO	57668	CRB20 FXE 75E0
A3R26	322-3085-00			RES, FXD, FILM: 75 OHM, 1%, 0.2W, TC=TO	57668	CRB20 FXE 75E0
A3R27	322-3085-00			RES, FXD, FILM: 75 OHM, 1%, 0.2W, TC=TO	57668	CRB20 FXE 75E0
A3R28	322-3068-00			RES, FXD, FILM: 49.9 OHM, 1%, 0.2W, TC=TO	80009	322-3068-00
A3R30	322-3085-00			RES, FXD, FILM: 75 OHM, 1%, 0.2W, TC=TO	57668	CRB20 FXE 75E0
A3R31	322-3085-00			RES, FXD, FILM: 75 OHM, 1%, 0.2W, TC=TO	57668	CRB20 FXE 75E0
A3R32	322-3085-00			RES, FXD, FILM: 75 OHM, 1%, 0.2W, TC=TO	57668	CRB20 FXE 75E0
A3R33	322-3162-00			RES, FXD, FILM: 475 OHM, 1%, 0.2W, TC=TO	80009	322-3162-00
A3R34	322-3162-00			RES, FXD, FILM: 475 OHM, 1%, 0.2W, TC=TO	80009	322-3162-00
A3R35	322-3001-00	671-1789-02	671-1789-02	RES, FXD, FILM: 10 OHM, 1%, 0.2W, TC=TO	80009	322-3001-00
A3R36	322-3147-00			RES, FXD, FILM: 332 OHM, 1%, 0.2W, TC=TO	80009	322-3147-00
A3R37	322-3101-00			RES, FXD, FILM: 110 OHM, 1%, 0.2W, TC=TO	91637	CCF50-2G110R0F
A3R38	322-3218-00			RES, FXD, FILM: 1.82K OHM, 1%, 0.2W, TC=TO	80009	322-3218-00
A3R39	322-3177-00			RES, FXD, FILM: 681 OHM, 1%, 0.2W, TC=TO	91637	CCF50-2G681R0F
A3R40	322-3001-00	671-1789-02	671-1789-02	RES, FXD, FILM: 10 OHM, 1%, 0.2W, TC=TO	80009	322-3001-00

Component No.	Tektronix Part No.	Serial/Assembly No. Effective Dscont	Name & Description	Mfr. Code	Mfr. Part No.
A3R41	311-1307-00		RES, VAR, NONMW: TRMR, 500 OHM, 0.5W	32997	3299W-1-501
A3R42	322-3181-00		RES, FXD, FILM: 750 OHM, 1%, 0.2W, TC=TO	80009	322-3181-00
A3R42	322-3250-00		RES, FXD, FILM: 3.92K OHM, 1%, 0.2W, TC=TO	91637	CCF50-2F39200F
A3R43	322-3181-00		RES, FXD, FILM: 750 OHM, 1%, 0.2W, TC=TO	80009	322-3181-00
A3R44	322-3289-00		RES, FXD, FILM: 10K OHM, 1%, 0.2W, TC=TO	80009	322-3289-00
A3R45	322-3289-00		RES, FXD, FILM: 10K OHM, 1%, 0.2W, TC=TO	80009	322-3289-00
A3R46	322-3001-00		RES, FXD, FILM: 10 OHM, 1%, 0.2W, TC=TO	80009	322-3001-00
A3R53	322-3162-00		RES, FXD, FILM: 475 OHM, 1%, 0.2W, TC=TO	80009	322-3162-00
A3R54	322-3181-00		RES, FXD, FILM: 475 OHM, 1%, 0.2W, TC=TO	80009	322-3162-00
A3R55	322-3085-00		RES, FXD, FILM: 75 OHM, 1%, 0.2W, TC=TO	57668	CRB20 FXE 75E0
A3R56	322-3085-00		RES, FXD, FILM: 75 OHM, 1%, 0.2W, TC=TO	57668	CRB20 FXE 75E0
A3R57	322-3085-00		RES, FXD, FILM: 75 OHM, 1%, 0.2W, TC=TO	57668	CRB20 FXE 75E0
A3R58	322-3085-00		RES, FXD, FILM: 75 OHM, 1%, 0.2W, TC=TO	57668	CRB20 FXE 75E0
A3R60	322-3097-00		RES, FXD, FILM: 100 OHM, 1%, 0.2W, TC=TO	57668	CRB20 FXE 100E
A3R61	322-3085-00		RES, FXD, FILM: 75 OHM, 1%, 0.2W, TC=TO	57668	CRB20 FXE 75E0
A3R62	322-3085-00		RES, FXD, FILM: 75 OHM, 1%, 0.2W, TC=TO	57668	CRB20 FXE 75E0
A3R63	322-3085-00		RES, FXD, FILM: 75 OHM, 1%, 0.2W, TC=TO	57668	CRB20 FXE 75E0
A3R64	322-3162-00		RES, FXD, FILM: 475 OHM, 1%, 0.2W, TC=TO	80009	322-3162-00
A3R65	322-3162-00		RES, FXD, FILM: 475 OHM, 1%, 0.2W, TC=TO	80009	322-3162-00
A3R66	322-3001-00	671-1789-02 671-1789-02	RES, FXD, FILM: 10 OHM, 1%, 0.2W, TC=TO	80009	322-3001-00
A3R67	322-3147-00		RES, FXD, FILM: 332 OHM, 1%, 0.2W, TC=TO	80009	322-3147-00
A3R68	322-3101-00		RES, FXD, FILM: 110 OHM, 1%, 0.2W, TC=TO	91637	CCF50-2G110ROF
A3R69	322-3218-00		RES, FXD, FILM: 1.82K OHM, 1%, 0.2W, TC=TO	80009	322-3218-00
A3R70	322-3177-00		RES, FXD, FILM: 681 OHM, 1%, 0.2W, TC=TO	91637	CCF50-2G681ROF
A3R71	322-3001-00	671-1789-02 671-1789-02	RES, FXD, FILM: 10 OHM, 1%, 0.2W, TC=TO	80009	322-3001-00
A3R72	311-1307-00		RES, VAR, NONMW: TRMR, 500 OHM, 0.5W	32997	3299W-1-501
A3R73	322-3181-00		RES, FXD, FILM: 750 OHM, 1%, 0.2W, TC=TO	80009	322-3181-00
A3R73	322-3250-00		RES, FXD, FILM: 3.92K OHM, 1%, 0.2W, TC=TO	91637	CCF50-2F39200F
A3R74	322-3181-00		RES, FXD, FILM: 750 OHM, 1%, 0.2W, TC=TO	80009	322-3181-00
A3R75	322-3289-00		RES, FXD, FILM: 10K OHM, 1%, 0.2W, TC=TO	80009	322-3289-00
A3R76	322-3289-00		RES, FXD, FILM: 10K OHM, 1%, 0.2W, TC=TO	80009	322-3289-00
A3R77	322-3001-00		RES, FXD, FILM: 10 OHM, 1%, 0.2W, TC=TO	80009	322-3001-00
A3R84	322-3162-00		RES, FXD, FILM: 475 OHM, 1%, 0.2W, TC=TO	80009	322-3162-00
A3R85	322-3162-00		RES, FXD, FILM: 475 OHM, 1%, 0.2W, TC=TO	80009	322-3162-00
A3R86	322-3085-00		RES, FXD, FILM: 75 OHM, 1%, 0.2W, TC=TO	57668	CRB20 FXE 75E0
A3R87	322-3085-00		RES, FXD, FILM: 75 OHM, 1%, 0.2W, TC=TO	57668	CRB20 FXE 75E0
A3R88	322-3085-00		RES, FXD, FILM: 75 OHM, 1%, 0.2W, TC=TO	57668	CRB20 FXE 75E0
A3R89	322-3085-00		RES, FXD, FILM: 75 OHM, 1%, 0.2W, TC=TO	57668	CRB20 FXE 75E0
A3R90	322-3068-00		RES, FXD, FILM: 49.9 OHM, 1%, 0.2W, TC=TO	80009	322-3068-00
A3R92	322-3085-00		RES, FXD, FILM: 75 OHM, 1%, 0.2W, TC=TO	57668	CRB20 FXE 75E0
A3R93	322-3085-00		RES, FXD, FILM: 75 OHM, 1%, 0.2W, TC=TO	57668	CRB20 FXE 75E0
A3R94	322-3085-00		RES, FXD, FILM: 75 OHM, 1%, 0.2W, TC=TO	57668	CRB20 FXE 75E0
A3R95	322-3162-00		RES, FXD, FILM: 475 OHM, 1%, 0.2W, TC=TO	80009	322-3162-00
A3R96	322-3162-00		RES, FXD, FILM: 475 OHM, 1%, 0.2W, TC=TO	80009	322-3162-00
A3R97	322-3001-00	671-1789-02 671-1789-02	RES, FXD, FILM: 10 OHM, 1%, 0.2W, TC=TO	80009	322-3001-00
A3R98	322-3147-00		RES, FXD, FILM: 332 OHM, 1%, 0.2W, TC=TO	80009	322-3147-00
A3R99	322-3101-00		RES, FXD, FILM: 110 OHM, 1%, 0.2W, TC=TO	91637	CCF50-2G110ROF
A3R100	322-3218-00		RES, FXD, FILM: 1.82K OHM, 1%, 0.2W, TC=TO	80009	322-3218-00
A3R101	322-3177-00		RES, FXD, FILM: 681 OHM, 1%, 0.2W, TC=TO	91637	CCF50-2G681ROF
A3R102	322-3001-00	671-1789-02 671-1789-02	RES, FXD, FILM: 10 OHM, 1%, 0.2W, TC=TO	80009	322-3001-00
A3R103	311-1307-00		RES, VAR, NONMW: TRMR, 500 OHM, 0.5W	32997	3299W-1-501
A3R104	322-3181-00		RES, FXD, FILM: 750 OHM, 1%, 0.2W, TC=TO	80009	322-3181-00
A3R104	322-3250-00		RES, FXD, FILM: 3.92K OHM, 1%, 0.2W, TC=TO	91637	CCF50-2F39200F
A3R105	322-3181-00		RES, FXD, FILM: 750 OHM, 1%, 0.2W, TC=TO	80009	322-3181-00
A3R106	322-3289-00		RES, FXD, FILM: 10K OHM, 1%, 0.2W, TC=TO	80009	322-3289-00
A3R107	322-3289-00		RES, FXD, FILM: 10K OHM, 1%, 0.2W, TC=TO	80009	322-3289-00
A3R108	322-3001-00		RES, FXD, FILM: 10 OHM, 1%, 0.2W, TC=TO	80009	322-3001-00
A3R119	322-3354-00		RES, FXD, FILM: 47.5K OHM, 1%, 0.2W, TC=TO	80009	322-3354-00
A3R120	322-3414-00		RES, FXD, FILM: 200K OHM, 1%, 0.2W, TC=TO	91637	CCF501G20002F

TSG 1001 - REPLACEABLE ELECTRICAL PARTS LIST

Component No.	Tektronix Part No.	Serial/Assembly No. Effective Discnt	Name & Description	Mfr. Code	Mfr. Part No.
A3R121	322-3318-00		RES, FXD, FILM: 20K OHM, 1%, 0.2W, TC=TO	57668	CRB20 FXE 20K0
A3R122	322-3193-00		RES, FXD, FILM: 1K OHM, 1%, 0.2W, TC=TO	57668	CRB20 FXE 1K00
A3R123	308-0677-00		RES, FXD, WW: 1 OHM, 5%, 2W	75042	ORDER BY DESC
A3R124	322-3414-00		RES, FXD, FILM: 200K OHM, 1%, 0.2W, TC=TO	91637	CCF501G20002F
A3R125	322-3354-00		RES, FXD, FILM: 47.5K OHM, 1%, 0.2W, TC=TO	80009	322-3354-00
A3R126	322-3426-00		RES, FXD, FILM: 267K OHM, 1%, 0.2W, TC=TO	91637	CCF50-2F26702F
A3R127	322-3335-00		RES, FXD, FILM: 30.1K OHM, 1%, 0.2W, TC=TO	57668	CRB20 FXE 30K1
A3R137	322-3385-00		RES, FXD, FILM: 100K OHM, 1%, 0.2W, TC=TO	57668	CRB20 FXE 100K
A3R138	322-3230-00		RES, FXD, FILM: 2.43K OHM, 1%, 0.2W, TC=TO	91637	TO BE ASSIGNED
A3R139	322-3385-00		RES, FXD, FILM: 100K OHM, 1%, 0.2W, TC=TO	57668	CRB20 FXE 100K
A3R141	322-3273-00		RES, FXD, FILM: 6.81K OHM, 1%, 0.2W, TC=TO	80009	322-3273-00
A3R143	322-3085-00		RES, FXD, FILM: 75 OHM, 1%, 0.2W, TC=TO	57668	CRB20 FXE 75E0
A3R144	322-3085-00		RES, FXD, FILM: 75 OHM, 1%, 0.2W, TC=TO	57668	CRB20 FXE 75E0
A3R183	322-3085-00		RES, FXD, FILM: 75 OHM, 1%, 0.2W, TC=TO	57668	CRB20 FXE 75E0
A3R184	322-3085-00		RES, FXD, FILM: 75 OHM, 1%, 0.2W, TC=TO	57668	CRB20 FXE 75E0
A3R190	322-3289-00		RES, FXD, FILM: 10K OHM, 1%, 0.2W, TC=TO	80009	322-3289-00
A3R191	322-3243-00		RES, FXD, FILM: 3.32K OHM, 1%, 0.2W, TC=TO	91637	CCF50-1-G33200F
A3R192	322-3066-00		RES, FXD, FILM: 47.5 OHM, 1%, 0.2W, TC=TO	09969	CCF502G47R50F
A3R193	322-3001-00		RES, FXD, FILM: 10 OHM, 1%, 0.2W, TC=TO	80009	322-3001-00
A3R194	322-3001-00		RES, FXD, FILM: 10 OHM, 1%, 0.2W, TC=TO	80009	322-3001-00
A3R195	322-3066-00		RES, FXD, FILM: 47.5 OHM, 1%, 0.2W, TC=TO	09969	CCF502G47R50F
A3R196	322-3289-00		RES, FXD, FILM: 10K OHM, 1%, 0.2W, TC=TO	80009	322-3289-00
A3R197	322-3231-00		RES, FXD, FILM: 2.49K OHM, 1%, 0.2W, TC=TO	80009	322-3231-00
A3R209	322-3085-00		RES, FXD, FILM: 75 OHM, 1%, 0.2W, TC=TO	57668	CRB20 FXE 75E0
A3R210	322-3075-00		RES, FXD, FILM: 59 OHM, 1%, 0.2W, TC=TO	80009	322-3075-00
A3R211	322-3001-00		RES, FXD, FILM: 10 OHM, 1%, 0.2W, TC=TO	80009	322-3001-00
A3R212	322-3001-00		RES, FXD, FILM: 10 OHM, 1%, 0.2W, TC=TO	80009	322-3001-00
A3R213	322-3085-00		RES, FXD, FILM: 75 OHM, 1%, 0.2W, TC=TO	57668	CRB20 FXE 75E0
A3R214	322-3085-00		RES, FXD, FILM: 75 OHM, 1%, 0.2W, TC=TO	57668	CRB20 FXE 75E0
A3R215	322-3135-00		RES, FXD, FILM: 249 OHM, 1%, 0.2W, TC=TO	80009	322-3135-00
A3R228	322-3085-00		RES, FXD, FILM: 75 OHM, 1%, 0.2W, TC=TO	57668	CRB20 FXE 75E0
A3R229	322-3075-00		RES, FXD, FILM: 59 OHM, 1%, 0.2W, TC=TO	80009	322-3075-00
A3R230	322-3001-00		RES, FXD, FILM: 10 OHM, 1%, 0.2W, TC=TO	80009	322-3001-00
A3R231	322-3001-00		RES, FXD, FILM: 10 OHM, 1%, 0.2W, TC=TO	80009	322-3001-00
A3R232	322-3085-00		RES, FXD, FILM: 75 OHM, 1%, 0.2W, TC=TO	57668	CRB20 FXE 75E0
A3R233	322-3085-00		RES, FXD, FILM: 75 OHM, 1%, 0.2W, TC=TO	57668	CRB20 FXE 75E0
A3R234	322-3135-00		RES, FXD, FILM: 249 OHM, 1%, 0.2W, TC=TO	80009	322-3135-00
A3R287	322-3085-00		RES, FXD, FILM: 75 OHM, 1%, 0.2W, TC=TO	57668	CRB20 FXE 75E0
A3R288	322-3085-00		RES, FXD, FILM: 75 OHM, 1%, 0.2W, TC=TO	57668	CRB20 FXE 75E0
A3R311	322-3121-00		RES, FXD, FILM: 178 OHM, 1%, 0.2W, TC=TO	80009	322-3121-00
A3R355	322-3193-00		RES, FXD, FILM: 1K OHM, 1%, 0.2W, TC=TO	57668	CRB20 FXE 1K00
A3R356	322-3193-00		RES, FXD, FILM: 1K OHM, 1%, 0.2W, TC=TO	57668	CRB20 FXE 1K00
A3R357	322-3193-00		RES, FXD, FILM: 1K OHM, 1%, 0.2W, TC=TO	57668	CRB20 FXE 1K00
A3R358	322-3193-00		RES, FXD, FILM: 1K OHM, 1%, 0.2W, TC=TO	57668	CRB20 FXE 1K00
A3R359	322-3193-00		RES, FXD, FILM: 1K OHM, 1%, 0.2W, TC=TO	57668	CRB20 FXE 1K00
A3R362	307-0546-00		RES NTWK, FXD, FI: 5,750HM, 5%, 0.15 W	80009	307-0546-00
A3R363	307-0546-00		RES NTWK, FXD, FI: 5,750HM, 5%, 0.15 W	80009	307-0546-00
A3R364	307-0546-00		RES NTWK, FXD, FI: 5,750HM, 5%, 0.15 W	80009	307-0546-00
A3R365	307-0546-00		RES NTWK, FXD, FI: 5,750HM, 5%, 0.15 W	80009	307-0546-00
A3R366	307-0546-00		RES NTWK, FXD, FI: 5,750HM, 5%, 0.15 W	80009	307-0546-00
A3R367	307-0546-00		RES NTWK, FXD, FI: 5,750HM, 5%, 0.15 W	80009	307-0546-00
A3R368	307-0546-00		RES NTWK, FXD, FI: 5,750HM, 5%, 0.15 W	80009	307-0546-00
A3R369	307-0546-00		RES NTWK, FXD, FI: 5,750HM, 5%, 0.15 W	80009	307-0546-00
A3R370	307-0546-00		RES NTWK, FXD, FI: 5,750HM, 5%, 0.15 W	80009	307-0546-00
A3R371	307-0546-00		RES NTWK, FXD, FI: 5,750HM, 5%, 0.15 W	80009	307-0546-00
A3R372	307-0546-00		RES NTWK, FXD, FI: 5,750HM, 5%, 0.15 W	80009	307-0546-00
A3R373	307-0546-00		RES NTWK, FXD, FI: 5,750HM, 5%, 0.15 W	80009	307-0546-00
A3R398	322-3056-00		RES, FXD, FILM: 37.4 OHM, 1%, 0.2W, TC=TO	91637	CCF50-2F37R40F
A3R399	322-3056-00		RES, FXD, FILM: 37.4 OHM, 1%, 0.2W, TC=TO	91637	CCF50-2F37R40F

Component No.	Tektronix Part No.	Serial/Assembly No. Effective Dscont	Name & Description	Mfr. Code	Mfr. Part No.
A3R404	311-1568-00		RES, VAR, NONNW: TRMR, 50 OHM, 0.5W	80009	311-1568-00
A3R405	322-3201-00		RES, FXD, FILM: 1.21K OHM, 1%, 0.2W, TC=TO	80009	322-3201-00
A3R406	322-3155-00		RES, FXD, FILM: 402 OHM, 1%, 0.2W, TC=TO	80009	322-3155-00
A3R407	322-3201-00		RES, FXD, FILM: 1.21K OHM, 1%, 0.2W, TC=TO	80009	322-3201-00
A3R408	322-3155-00		RES, FXD, FILM: 402 OHM, 1%, 0.2W, TC=TO	80009	322-3155-00
A3R409	322-3121-00		RES, FXD, FILM: 178 OHM, 1%, 0.2W, TC=TO	80009	322-3121-00
A3R410	311-1568-00		RES, VAR, NONNW: TRMR, 50 OHM, 0.5W	80009	311-1568-00
A3R411	311-1036-00		RES, VAR, NONNW: TRMR, 200 OHM, 0.5W	80009	311-1036-00
A3R412	322-3085-00		RES, FXD, FILM: 75 OHM, 1%, 0.2W, TC=TO	57668	CRB20 FXE 75E0
A3R413	322-3068-00		RES, FXD, FILM: 49.9 OHM, 1%, 0.2W, TC=TO	80009	322-3068-00
A3R415	317-0047-00		RES, FXD, CMPSN: 4.7 OHM, 5%, 0.125W	80009	317-0047-00
A3R416	322-3328-00		RES, FXD, FILM: 25.5K OHM, 1%, 0.2W, TC=TO	57668	CRB20 FXE 25K5
A3R418	317-0047-00		RES, FXD, CMPSN: 4.7 OHM, 5%, 0.125W	80009	317-0047-00
A3R419	322-3085-00		RES, FXD, FILM: 75 OHM, 1%, 0.2W, TC=TO	57668	CRB20 FXE 75E0
A3R420	322-3068-00		RES, FXD, FILM: 49.9 OHM, 1%, 0.2W, TC=TO	80009	322-3068-00
A3R421	311-1036-00		RES, VAR, NONNW: TRMR, 200 OHM, 0.5W	80009	311-1036-00
A3R422	311-1307-00		RES, VAR, NONNW: TRMR, 500 OHM, 0.5W	32997	3299W-1-501
A3R423	322-3328-00		RES, FXD, FILM: 25.5K OHM, 1%, 0.2W, TC=TO	57668	CRB20 FXE 25K5
A3R425	317-0047-00		RES, FXD, CMPSN: 4.7 OHM, 5%, 0.125W	80009	317-0047-00
A3R426	311-1307-00		RES, VAR, NONNW: TRMR, 500 OHM, 0.5W	32997	3299W-1-501
A3R427	311-1036-00		RES, VAR, NONNW: TRMR, 200 OHM, 0.5W	80009	311-1036-00
A3R428	322-3085-00		RES, FXD, FILM: 75 OHM, 1%, 0.2W, TC=TO	57668	CRB20 FXE 75E0
A3R429	322-3068-00		RES, FXD, FILM: 49.9 OHM, 1%, 0.2W, TC=TO	80009	322-3068-00
A3R430	322-3328-00		RES, FXD, FILM: 25.5K OHM, 1%, 0.2W, TC=TO	57668	CRB20 FXE 25K5
A3R432	322-3289-00		RES, FXD, FILM: 10K OHM, 1%, 0.2W, TC=TO	80009	322-3289-00
A3R433	322-3246-00		RES, FXD, FILM: 3.57K OHM, 1%, 0.2W, TC=TO	80009	322-3246-00
A3R435	301-0111-00		RES, FXD, FILM: 110 OHM, 5%, 0.50W	19701	5053CX110R0J
A3R436	322-3453-00		RES, FXD, FILM: 511K OHM, 1%, 0.2W, TC=TO	91637	CCF50-2F51102F
A3R438	322-3106-00		RES, FXD, FILM: 124 OHM, 1%, 0.2W, TC=TO	80009	322-3106-00
A3R439	322-3493-00		RES, FXD, FILM: 16.5 OHM, 1%, 0.2W, TC=TO	80009	322-3493-00
A3R440	322-3493-00		RES, FXD, FILM: 16.5 OHM, 1%, 0.2W, TC=TO	80009	322-3493-00
A3R441	322-3493-00		RES, FXD, FILM: 16.5 OHM, 1%, 0.2W, TC=TO	80009	322-3493-00
A3R442	322-3493-00		RES, FXD, FILM: 16.5 OHM, 1%, 0.2W, TC=TO	80009	322-3493-00
A3R443	322-3106-00		RES, FXD, FILM: 124 OHM, 1%, 0.2W, TC=TO	80009	322-3106-00
A3R444	322-3106-00		RES, FXD, FILM: 124 OHM, 1%, 0.2W, TC=TO	80009	322-3106-00
A3R445	322-3493-00		RES, FXD, FILM: 16.5 OHM, 1%, 0.2W, TC=TO	80009	322-3493-00
A3R446	322-3493-00		RES, FXD, FILM: 16.5 OHM, 1%, 0.2W, TC=TO	80009	322-3493-00
A3R447	322-3267-00		RES, FXD, FILM: 5.9K OHM, 1%, 0.2W, TC=TO	80009	322-3267-00
A3R448	322-3267-00		RES, FXD, FILM: 5.9K OHM, 1%, 0.2W, TC=TO	80009	322-3267-00
A3R449	311-1175-00		RES, VAR, NONNW: TRMR, 100 OHM, 0.5W	80009	311-1175-00
A3R450	307-0546-00		RES NTWK, FXD, FI: 5.75OHM, 5%, 0.15 W	80009	307-0546-00
A3R451	307-0546-00		RES NTWK, FXD, FI: 5.75OHM, 5%, 0.15 W	80009	307-0546-00
A3R452	307-0546-00		RES NTWK, FXD, FI: 5.75OHM, 5%, 0.15 W	80009	307-0546-00
A3R453	307-0546-00		RES NTWK, FXD, FI: 5.75OHM, 5%, 0.15 W	80009	307-0546-00
A3R454	307-0546-00		RES NTWK, FXD, FI: 5.75OHM, 5%, 0.15 W	80009	307-0546-00
A3R455	322-3085-00		RES, FXD, FILM: 75 OHM, 1%, 0.2W, TC=TO	57668	CRB20 FXE 75E0
A3R456	322-3085-00		RES, FXD, FILM: 75 OHM, 1%, 0.2W, TC=TO	57668	CRB20 FXE 75E0
A3R457	322-3085-00		RES, FXD, FILM: 75 OHM, 1%, 0.2W, TC=TO	57668	CRB20 FXE 75E0
A3R458	322-3085-00		RES, FXD, FILM: 75 OHM, 1%, 0.2W, TC=TO	57668	CRB20 FXE 75E0
A3R459	322-3085-00		RES, FXD, FILM: 75 OHM, 1%, 0.2W, TC=TO	57668	CRB20 FXE 75E0
A3R460	322-3085-00		RES, FXD, FILM: 75 OHM, 1%, 0.2W, TC=TO	57668	CRB20 FXE 75E0
A3R461	322-3085-00		RES, FXD, FILM: 75 OHM, 1%, 0.2W, TC=TO	57668	CRB20 FXE 75E0
A3R462	322-3165-00		RES, FXD, FILM: 511 OHM, 1%, 0.2W, TC=TO	57668	CRB20 FXE 511E
A3R463	322-3085-00		RES, FXD, FILM: 75 OHM, 1%, 0.2W, TC=TO	57668	CRB20 FXE 75E0
A3R464	322-3085-00		RES, FXD, FILM: 75 OHM, 1%, 0.2W, TC=TO	57668	CRB20 FXE 75E0
A3R465	322-3258-00		RES, FXD, FILM: 4.75K OHM, 1%, 0.2W, TC=TO	80009	322-3258-00
A3R466	322-3085-00		RES, FXD, FILM: 75 OHM, 1%, 0.2W, TC=TO	57668	CRB20 FXE 75E0
A3R467	322-3085-00		RES, FXD, FILM: 75 OHM, 1%, 0.2W, TC=TO	57668	CRB20 FXE 75E0
A3R468	322-3085-00		RES, FXD, FILM: 75 OHM, 1%, 0.2W, TC=TO	57668	CRB20 FXE 75E0

TSG 1001 - REPLACEABLE ELECTRICAL PARTS LIST

Component No.	Tektronix Part No.	Serial/Assembly No. Effective Dscnt	Name & Description	Mfr. Code	Mfr. Part No.
A3R469	322-3085-00		RES,FXD,FILM:75 OHM,1%,0.2W,TC=TO	57668	CRB20 FXE 75E0
A3R471	322-3085-00		RES,FXD,FILM:75 OHM,1%,0.2W,TC=TO	57668	CRB20 FXE 75E0
A3R472	322-3085-00		RES,FXD,FILM:75 OHM,1%,0.2W,TC=TO	57668	CRB20 FXE 75E0
A3R473	322-3085-00		RES,FXD,FILM:75 OHM,1%,0.2W,TC=TO	57668	CRB20 FXE 75E0
A3R474	322-3085-00		RES,FXD,FILM:75 OHM,1%,0.2W,TC=TO	57668	CRB20 FXE 75E0
A3R475	322-3193-00		RES,FXD,FILM:1K OHM,1%,0.2W,TC=TO	57668	CRB20 FXE 1K00
A3R478	322-3193-00		RES,FXD,FILM:1K OHM,1%,0.2W,TC=TO	57668	CRB20 FXE 1K00
A3R479	322-3097-00		RES,FXD,FILM:100 OHM,1%,0.2W,TC=TO	57668	CRB20 FXE 100E
A3R480	322-3097-00		RES,FXD,FILM:100 OHM,1%,0.2W,TC=TO	57668	CRB20 FXE 100E
A3R481	322-3085-00		RES,FXD,FILM:75 OHM,1%,0.2W,TC=TO	57668	CRB20 FXE 75E0
A3R482	322-3085-00		RES,FXD,FILM:75 OHM,1%,0.2W,TC=TO	57668	CRB20 FXE 75E0
A3R483	311-1307-00		RES,VAR,NONMW:TRMR,500 OHM,0.5W	32997	3299W-1-501
A3R484	322-3193-00		RES,FXD,FILM:1K OHM,1%,0.2W,TC=TO	57668	CRB20 FXE 1K00
A3R485	322-3193-00		RES,FXD,FILM:1K OHM,1%,0.2W,TC=TO	57668	CRB20 FXE 1K00
A3R486	322-3193-00		RES,FXD,FILM:1K OHM,1%,0.2W,TC=TO	57668	CRB20 FXE 1K00
A3R487	322-3193-00		RES,FXD,FILM:1K OHM,1%,0.2W,TC=TO	57668	CRB20 FXE 1K00
A3R488	322-3193-00		RES,FXD,FILM:1K OHM,1%,0.2W,TC=TO	57668	CRB20 FXE 1K00
A3R489	322-3097-00		RES,FXD,FILM:100 OHM,1%,0.2W,TC=TO	57668	CRB20 FXE 100E
A3R490	322-3097-00		RES,FXD,FILM:100 OHM,1%,0.2W,TC=TO	57668	CRB20 FXE 100E
A3R491	322-3123-00		RES,FXD,FILM:187 OHM,1%,0.2W,TC=TO	80009	322-3123-00
A3R492	322-3105-00		RES,FXD,FILM:121 OHM,1%,0.2W,TC=TO	80009	322-3105-00
A3R494	322-3318-00		RES,FXD,FILM:20K OHM,1%,0.2W,TC=TO	57668	CRB20 FXE 20K0
A3R495	322-3126-01		RES,FXD,FILM:200 OHM,0.5%,0.2W,TC=TO	91637	CCF501G200R0D
A3R496	322-3426-00		RES,FXD,FILM:267K OHM,1%,0.2W,TC=TO	91637	CCF50-2F26702F
A3R501	322-3148-00		RES,FXD,FILM:340 OHM,1%,0.2W,TC=TO	91637	CCF50-2F340R0F
A3R502	322-3193-00		RES,FXD,FILM:1K OHM,1%,0.2W,TC=TO	57668	CRB20 FXE 1K00
A3R503	301-0430-00		RES,FXD,FILM:43 OHM,5%,0.5W	80009	301-0430-00
A3R504	301-0100-00		RES,FXD,FILM:10 OHM,5%,0.50W	01121	EB1005
A3R505	322-3001-00		RES,FXD,FILM:10 OHM,1%,0.2W,TC=TO	80009	322-3001-00
A3R506	322-3001-00		RES,FXD,FILM:10 OHM,1%,0.2W,TC=TO	80009	322-3001-00
A3R507	322-3105-00		RES,FXD,FILM:121 OHM,1%,0.2W,TC=TO	80009	322-3105-00
A3R508	322-3123-00		RES,FXD,FILM:187 OHM,1%,0.2W,TC=TO	80009	322-3123-00
A3R509	322-3160-00		RES,FXD,FILM:453 OHM,1%,0.2W,TC=TO	80009	322-3160-00
A3R510	322-3289-00		RES,FXD,FILM:10K OHM,1%,0.2W,TC=TO	80009	322-3289-00
A3R511	322-3289-00		RES,FXD,FILM:10K OHM,1%,0.2W,TC=TO	80009	322-3289-00
A3R513	322-3289-00		RES,FXD,FILM:10K OHM,1%,0.2W,TC=TO	80009	322-3289-00
A3R514	322-3239-00		RES,FXD,FILM:3.01K OHM,1%,0.2W,TC=TO	57668	CRB20 FXE 3K01
A3TP1	214-4085-00		TERM,TEST POINT:0.070 ID,0.220 H,0.063 DIA PCB,0.015 X 0.032 BRASS,W/ RED NYLON COLLAR	26364	104-01-02
A3TP2	214-4085-00		TERM,TEST POINT:0.070 ID,0.220 H,0.063 DIA PCB,0.015 X 0.032 BRASS,W/ RED NYLON COLLAR	26364	104-01-02
A3TP3	214-4085-00		TERM,TEST POINT:0.070 ID,0.220 H,0.063 DIA PCB,0.015 X 0.032 BRASS,W/ RED NYLON COLLAR	26364	104-01-02
A3TP4	214-4085-00	671-1789-02 671-1789-04	TERM,TEST POINT:0.070 ID,0.220 H,0.063 DIA PCB,0.015 X 0.032 BRASS,W/ RED NYLON COLLAR	26364	104-01-02
A3TP5	214-4085-00	671-1789-02 671-1789-04	TERM,TEST POINT:0.070 ID,0.220 H,0.063 DIA PCB,0.015 X 0.032 BRASS,W/ RED NYLON COLLAR	26364	104-01-02
A3TP6	214-4085-00		TERM,TEST POINT:0.070 ID,0.220 H,0.063 DIA PCB,0.015 X 0.032 BRASS,W/ RED NYLON COLLAR	26364	104-01-02
A3TP7	214-4085-00	671-1789-02 671-1789-04	TERM,TEST POINT:0.070 ID,0.220 H,0.063 DIA PCB,0.015 X 0.032 BRASS,W/ RED NYLON COLLAR	26364	104-01-02
A3TP8	214-4085-00		TERM,TEST POINT:0.070 ID,0.220 H,0.063 DIA PCB,0.015 X 0.032 BRASS,W/ RED NYLON COLLAR	26364	104-01-02
A3TP9	214-4085-00		TERM,TEST POINT:0.070 ID,0.220 H,0.063 DIA PCB,0.015 X 0.032 BRASS,W/ RED NYLON COLLAR	26364	104-01-02
A3TP10	214-4085-00		TERM,TEST POINT:0.070 ID,0.220 H,0.063 DIA PCB,0.015 X 0.032 BRASS,W/ RED NYLON COLLAR	26364	104-01-02
A3TP11	214-4085-00		TERM,TEST POINT:0.070 ID,0.220 H,0.063 DIA PCB,0.015 X 0.032 BRASS,W/ RED NYLON COLLAR	26364	104-01-02

Component No.	Tektronix Part No.	Serial/Assembly No. Effective	Discont	Name & Description	Mfr. Code	Mfr. Part No.
A3TP12	214-4085-00			TERM,TEST POINT:0.070 ID,0.220 H,0.063 DIA PCB,0.015 X 0.032 BRASS,W/ RED NYLON COLLAR	26364	104-01-02
A3TP13	214-4085-00			TERM,TEST POINT:0.070 ID,0.220 H,0.063 DIA PCB,0.015 X 0.032 BRASS,W/ RED NYLON COLLAR	26364	104-01-02
A3TP14	214-4085-00			TERM,TEST POINT:0.070 ID,0.220 H,0.063 DIA PCB,0.015 X 0.032 BRASS,W/ RED NYLON COLLAR	26364	104-01-02
A3TP14	214-4085-00	671-1789-03		TERM,TEST POINT:0.070 ID,0.220 H,0.063 DIA PCB,0.015 X 0.032 BRASS,W/ RED NYLON COLLAR	26364	104-01-02
A3U1	156-3432-00			IC,LINER:BIPOLAR,OP-AMP;CURRENT FEEDBACK,2 00MHZ;CLC400AJP,DIPO8.3	80009	156-3432-00
	136-0727-00			*MOUNTING PARTS* SKT,PL-IN ELEK:MICROCKT,8 CONTACT	09922	DILB8P-108
A3U6	155-0316-00			*END MOUNTING PARTS* MICROCKT,DGTL:12 BIT MULTIPLYING DAC,TKAD30	80009	155-0316-00
	136-0871-00			*MOUNTING PARTS* SOCKET,PLCC::	80009	136-0871-00
A3U7	156-1640-00			*END MOUNTING PARTS* IC,DIGITAL:ECL,RECEIVER;TRIPLE LINE;10H116, DIP16.3,TUBE	80009	156-1640-00
A3U8	156-1712-00			MICROCKT,DGTL:ECL,HEX D MA-SLAVE,FF,SCRN	04713	MC10H176 P
A3U9	156-1712-00			MICROCKT,DGTL:ECL,HEX D MA-SLAVE,FF,SCRN	04713	MC10H176 P
A3U10	156-3432-00			IC,LINER:BIPOLAR,OP-AMP;CURRENT FEEDBACK,2 00MHZ;CLC400AJP,DIPO8.3	80009	156-3432-00
	136-0727-00			*MOUNTING PARTS* SKT,PL-IN ELEK:MICROCKT,8 CONTACT	09922	DILB8P-108
A3U11	156-1338-00			*END MOUNTING PARTS* IC,LINER:BIPOLAR,OP-AMP;HIGH OUTPUT DRIVE; NE5534N,DIPO8.3	80009	156-1338-00
A3U12	155-0316-00			IC,LINER:BIPOLAR,OP-AMP;HIGH OUTPUT DRIVE; NE5534N,DIPO8.3	80009	156-1338-00
	136-0871-00			*MOUNTING PARTS* MICROCKT,DGTL:12 BIT MULTIPLYING DAC,TKAD30	80009	155-0316-00
A3U13	156-1640-00			*MOUNTING PARTS* SOCKET,PLCC::	80009	136-0871-00
A3U14	156-1712-00			*END MOUNTING PARTS* IC,DIGITAL:ECL,RECEIVER;TRIPLE LINE;10H116, DIP16.3,TUBE	80009	156-1640-00
A3U15	156-1712-00			MICROCKT,DGTL:ECL,HEX D MA-SLAVE,FF,SCRN	04713	MC10H176 P
A3U16	156-3432-00			MICROCKT,DGTL:ECL,HEX D MA-SLAVE,FF,SCRN	04713	MC10H176 P
	136-0727-00			IC,LINER:BIPOLAR,OP-AMP;CURRENT FEEDBACK,2 00MHZ;CLC400AJP,DIPO8.3	80009	156-3432-00
A3U17	156-1338-00			*MOUNTING PARTS* SKT,PL-IN ELEK:MICROCKT,8 CONTACT	09922	DILB8P-108
A3U18	155-0316-00			*END MOUNTING PARTS* IC,LINER:BIPOLAR,OP-AMP;HIGH OUTPUT DRIVE; NE5534N,DIPO8.3	80009	156-1338-00
	136-0871-00			MICROCKT,DGTL:12 BIT MULTIPLYING DAC,TKAD30	80009	155-0316-00
A3U19	156-1640-00			*MOUNTING PARTS* SOCKET,PLCC::	80009	136-0871-00
A3U20	156-1712-00			*END MOUNTING PARTS* IC,DIGITAL:ECL,RECEIVER;TRIPLE LINE;10H116, DIP16.3,TUBE	80009	156-1640-00
A3U21	156-1712-00			MICROCKT,DGTL:ECL,HEX D MA-SLAVE,FF,SCRN	04713	MC10H176 P
A3U22	156-3432-00			MICROCKT,DGTL:ECL,HEX D MA-SLAVE,FF,SCRN	04713	MC10H176 P
	136-0727-00			IC,LINER:BIPOLAR,OP-AMP;CURRENT FEEDBACK,2 00MHZ;CLC400AJP,DIPO8.3	80009	156-3432-00
A3U23	156-1338-00			*MOUNTING PARTS* SKT,PL-IN ELEK:MICROCKT,8 CONTACT	09922	DILB8P-108
A3U24	156-0158-07			*END MOUNTING PARTS* IC,LINER:BIPOLAR,OP-AMP;HIGH OUTPUT DRIVE; NE5534N,DIPO8.3	80009	156-1338-00
A3U25	156-1640-00			IC,LINER:BIPOLAR,OP-AMP;DUPLICATE OF 156-0158-00,DO NOT USE;MC1458P1,DIPO8.3	80009	156-0158-07
				IC,DIGITAL:ECL,RECEIVER;TRIPLE LINE;10H116, DIP16.3,TUBE	80009	156-1640-00

TSG 1001 - REPLACEABLE ELECTRICAL PARTS LIST

Component No.	Tektronix Part No.	Serial/Assembly No. Effective	Discont	Name & Description	Mfr. Code	Mfr. Part No.
A3U26	156-1640-00			IC,DIGITAL:ECL,RECEIVER;TRIPLE LINE;10H116, DIP16.3,TUBE	80009	156-1640-00
A3U31	156-1173-00			IC,LINEAR:BIPOLAR,VOLTAGE REFERENCE;POSITIV E,2.5V,1.0%,40PPM,SERIES;MC1403U,DIP08.3	80009	156-1173-00
A3U32	156-0512-02			IC,LINEAR:BIPOLAR,OP-AMP;DUPLICATE OF 156-0 512-00,DO NOT USE;LM308N,DIP08.3	80009	156-0512-02
A3U33	156-0512-02			IC,LINEAR:BIPOLAR,OP-AMP;DUPLICATE OF 156-0 512-00,DO NOT USE;LM308N,DIP08.3	80009	156-0512-02
A3U34	156-0277-01			IC,LINEAR:BIPOLAR,VOLTAGE REGULATOR;DUPLICA TE OF 156-0277-00,DO NOT USE;MC7805CT,TO-22 0	80009	156-0277-01
				*MOUNTING PARTS*		
	210-0586-00			NUT,PL,ASSEM WA:4-40 X 0.25,STL CD PL	78189	211-041800-00
	210-1178-00			WASHER,SHLDR:	80009	210-1178-00
	211-0097-00			SCREW,MACHINE:4-40 X 0.312,PNH,STL	93907	ORDER BY DESCR
	214-4379-00			HEAT SINK,ELEC:ALUMINUM	80009	214-4379-00
	342-0563-00			INSULATOR,PLATE:TRANSISTOR,FIBERGLASS REINF ORCED SILICON RUBBER	18565	69-11-8805-1674
				*END MOUNTING PARTS*		
A3U35	156-0846-00			IC,LINEAR:BIPOLAR,VOLTAGE REGULATOR;NEGATIV E,-5.0V,1.0A,4.0%;MC7905CT,TO-220	01295	UA7905CKC
				*MOUNTING PARTS*		
	210-0586-00			NUT,PL,ASSEM WA:4-40 X 0.25,STL CD PL	78189	211-041800-00
	210-1178-00			WASHER,SHLDR:	80009	210-1178-00
	211-0097-00			SCREW,MACHINE:4-40 X 0.312,PNH,STL	93907	ORDER BY DESCR
	214-4379-00			HEAT SINK,ELEC:ALUMINUM	80009	214-4379-00
	342-0563-00			INSULATOR,PLATE:TRANSISTOR,FIBERGLASS REINF ORCED SILICON RUBBER	18565	69-11-8805-1674
				*END MOUNTING PARTS*		
A3U36	156-3432-00			IC,LINEAR:BIPOLAR,OP-AMP;CURRENT FEEDBACK,2 00MHZ;CLC400AJP,DIP08.3	80009	156-3432-00
				*MOUNTING PARTS*		
	136-0727-00			SKT,PL-IN ELEK:MICROCKT,8 CONTACT	09922	DILB8P-108
				*END MOUNTING PARTS*		
A3U40	156-3432-00			IC,LINEAR:BIPOLAR,OP-AMP;CURRENT FEEDBACK,2 00MHZ;CLC400AJP,DIP08.3	80009	156-3432-00
				*MOUNTING PARTS*		
	136-0727-00			SKT,PL-IN ELEK:MICROCKT,8 CONTACT	09922	DILB8P-108
				*END MOUNTING PARTS*		
A3U70	156-0543-00			IC,DIGITAL:ECL,BUFFER;HEX, WITH ENABLE;1018 8,DIP16.3,TUBE	18324	10188N
A3U71	156-0543-00			IC,DIGITAL:ECL,BUFFER;HEX, WITH ENABLE;1018 8,DIP16.3,TUBE	18324	10188N
A3U72	156-0543-00			IC,DIGITAL:ECL,BUFFER;HEX, WITH ENABLE;1018 8,DIP16.3,TUBE	18324	10188N
A3U73	156-0543-00			IC,DIGITAL:ECL,BUFFER;HEX, WITH ENABLE;1018 8,DIP16.3,TUBE	18324	10188N
A3U74	156-0543-00			IC,DIGITAL:ECL,BUFFER;HEX, WITH ENABLE;1018 8,DIP16.3,TUBE	18324	10188N
A3U77	156-1640-00	671-1789-02	671-1789-04	IC,DIGITAL:ECL,RECEIVER;TRIPLE LINE;10H116, DIP16.3,TUBE	80009	156-1640-00
A3U78	234-0428-20			QUICK CHIP:VIDEO CHANNEL SWITCH,PKG	80009	234-0428-20
				*MOUNTING PARTS*		
	136-0752-00			SKT,PL-IN ELEK:MICROCIRCUIT,20 DIP	09922	DILB20P-108
				*END MOUNTING PARTS*		
A3U79	156-3047-00			MICROCKT,LINEAR:MONOLITHIC,RF AMPLIFIER	80009	156-3047-00
A3U80	156-3047-00	671-1789-02	671-1789-02	MICROCKT,LINEAR:MONOLITHIC,RF AMPLIFIER	80009	156-3047-00
A3U83	156-0368-03			IC,DIGITAL:ECL,TRANSLATOR;QUAD TTL-TO-ECL;1 0124,DIP16.3,TUBE,SCRN	80009	156-0368-03
A3U84	156-1640-00	671-1789-02	671-1789-04	IC,DIGITAL:ECL,RECEIVER;TRIPLE LINE;10H116, DIP16.3,TUBE	80009	156-1640-00



Component No.	Tektronix Part No.	Serial/Assembly No. Effective	Dscont	Name & Description	Mfr. Code	Mfr. Part No.
A3U85	156-1795-00			IC,DIGITAL:ECL,MUX/ENCODER;DUAL 4-TO-1 MUX; 10H174,DIP16.3,TUBE	80009	156-1795-00
A3U86	156-0543-00			IC,DIGITAL:ECL,BUFFER;HEX, WITH ENABLE;1018 8,DIP16.3,TUBE	18324	10188N
A3U87	156-0543-00			IC,DIGITAL:ECL,BUFFER;HEX, WITH ENABLE;1018 8,DIP16.3,TUBE	18324	10188N
A3U88	156-0543-00			IC,DIGITAL:ECL,BUFFER;HEX, WITH ENABLE;1018 8,DIP16.3,TUBE	18324	10188N
A3U89	156-0543-00			IC,DIGITAL:ECL,BUFFER;HEX, WITH ENABLE;1018 8,DIP16.3,TUBE	18324	10188N
A3U90	156-0543-00			IC,DIGITAL:ECL,BUFFER;HEX, WITH ENABLE;1018 8,DIP16.3,TUBE	18324	10188N
A3U91	156-0385-02			IC,DIGITAL:LSTTL,GATES;DUPLICATE OF 156-038 5-00;74LS04,DIP14.3,TUBE	80009	156-0385-02
A3VR1	152-0688-00			DIODE,ZENER:;,2.4V,5%,0.4W;1N4370A,DO-7 OR 35	04713	1N4370A
A3W1	131-0566-00			BUS,CONDUCTOR:DUMMY RES,0.094 OD X 0.225 L	24546	OMA 07
A3W2	174-2334-00			CABLE,RF:75 OHM COAX,2.0 L	80009	174-2334-00
A3W414	131-0566-00	671-1789-02	671-1789-02	BUS,CONDUCTOR:DUMMY RES,0.094 OD X 0.225 L	24546	OMA 07
A3W417	131-0566-00	671-1789-02	671-1789-03	BUS,CONDUCTOR:DUMMY RES,0.094 OD X 0.225 L	24546	OMA 07
A3W424	131-0566-00	671-1789-02	671-1789-02	BUS,CONDUCTOR:DUMMY RES,0.094 OD X 0.225 L	24546	OMA 07
A3W425	131-0566-00			BUS,CONDUCTOR:DUMMY RES,0.094 OD X 0.225 L	24546	OMA 07
A3W426	131-0566-00			BUS,CONDUCTOR:DUMMY RES,0.094 OD X 0.225 L	24546	OMA 07
A3W427	131-0566-00			BUS,CONDUCTOR:DUMMY RES,0.094 OD X 0.225 L	24546	OMA 07
A3W428	131-0566-00			BUS,CONDUCTOR:DUMMY RES,0.094 OD X 0.225 L	24546	OMA 07
A3W429	131-0566-00			BUS,CONDUCTOR:DUMMY RES,0.094 OD X 0.225 L	24546	OMA 07
A3W430	131-0566-00			BUS,CONDUCTOR:DUMMY RES,0.094 OD X 0.225 L	24546	OMA 07
A3A1	671-1343-00			CIRCUIT BD ASSY:FILTER *MOUNTING PARTS*	80009	671-1343-00
	211-0244-00			SCR,ASSEM WSHR:4-40 X 0.312,PNH STL (QUANTITY 6) *END MOUNTING PARTS*	TK0858	211-0244-00
A3A2	671-1343-00			CIRCUIT BD ASSY:FILTER *MOUNTING PARTS*	80009	671-1343-00
	211-0244-00			SCR,ASSEM WSHR:4-40 X 0.312,PNH STL (QUANTITY 6) *END MOUNTING PARTS*	TK0858	211-0244-00
A3A3	671-1343-00			CIRCUIT BD ASSY:FILTER *MOUNTING PARTS*	80009	671-1343-00
	211-0244-00			SCR,ASSEM WSHR:4-40 X 0.312,PNH STL (QUANTITY 6) *END MOUNTING PARTS*	TK0858	211-0244-00
A3A4	119-3402-02			OVEN ASSEMBLY:TSG1125 *ATTACHED PARTS*	80009	119-3402-02
	134-0209-00			BUTTON,PLUG:0.187 DIA HOLE,PLASTIC	31223	62PP018BM14
	200-3264-00			COVER, TOP:ALUMINUM	80009	200-3264-00
	200-3266-01			CAP,HEAT SINK:PLASTIC	80009	200-3266-01
	210-0586-00			NUT, PL,ASSEM WA:4-40 X 0.25,STL CD PL	78189	211-041800-00
	211-0021-00			SCREW,MACHINE:4-40 X 1.25,PNH,STL	TK0435	ORDER BY DESCR
	211-0513-00			SCREW,MACHINE:6-32 X 0.625,PNH,STL (QUANTITY 2)	93907	B80-00032-003
	211-0661-00			SCR,ASSEM WSHR:4-40 X 0.25,PNH,STL,POZ (QUANTITY 2)	01536	821-01655-024
	214-3863-01			HEAT SINK,ELEC:ALUMINUM	80009	214-3863-01
	348-0935-00			GASKET:2.0 X 1.7,NEOPRENE	80009	348-0935-00
	432-0154-00			BASE,HEAT SINK:PLASTIC *END ATTACHED PARTS*	80009	432-0154-00
A3A4C6	283-5238-00			CAP,FXD,CER DI:150PF,5%,100V	04222	12061A151JA1050R
A3A4C8	283-5025-00			CAP,FXD,CER DI:220PF,5%,50V	80009	283-5025-00
A3A4C15	283-5007-00			CAP,FXD,CER DI:8PF,+/- 0.5PF,50V	80009	283-5007-00
A3A4C16	283-5206-00			CAP,FXD,CER DI:56PF,5%,100V	80009	283-5206-00
A3A4C17	283-5004-00			CAP,FXD,CER DI:0.1UF,10%,25V	80009	283-5004-00

TSG 1001 - REPLACEABLE ELECTRICAL PARTS LIST

Component No.	Tektronix Part No.	Serial/Assembly No. Effective	Dscont	Name & Description	Mfr. Code	Mfr. Part No.
A3A4C19	281-0165-00			CAP, VAR, AIR DI: 0.8-10PF, 250V	80009	281-0165-00
A3A4CR14	152-0269-01			SEMICON DVC, DI: VVC, SI, 33PF, 5%, 35V, DO-7	04713	SMV1263-1
A3A4P33	131-2002-00			CONN, BOX::	TK1483	TKO-05254-103
A3A4Q10	151-5035-00			TRANSISTOR, SIG: BIPOLAR, NPN; 25V, 30MA, 650MHZ, AMPLIFIER; MMBTH10L, TO-236/SOT-23, 8MM T/R	04713	MMBTH10T1
A3A4R1	321-5043-00			RES, FXD, FILM: 47.5 OHM, 1%, 0.125W	80009	321-5043-00
A3A4R3	307-1161-00			RES, FXD, FILM: 1M OHM, 5%, 0.062W, 0805, 8MM	TK0510	ERJ-6GCSJ105V
A3A4R4	321-5078-00			RES, FXD, FILM: 20K OHM, 1%, 125MW, 0805 PKG	80009	321-5078-00
A3A4R5	321-5078-00			RES, FXD, FILM: 20K OHM, 1%, 125MW, 0805 PKG	80009	321-5078-00
A3A4R9	321-5012-00			RES, FXD, FILM: 332 OHM, 1%, 0.125W	80009	321-5012-00
A3A4RT11	307-0181-01			RES, THERMAL: 20K OHM, 5%, AT 60 DEG C	80009	307-0181-01
				*ATTACHED PARTS*		
	162-0581-00			INSUL SLVG, ELEC: 0.027 ID, PTFE, CLEAR (QUANTITY 0.042000 FT)	59659	#22TFE
				*END ATTACHED PARTS*		
A3A4Y11	-----			XTAL UNIT, QTZ: (REPLACEABLE AT A3A4 ONLY)		
A3A5	671-1939-00	B010100	B010102	CIRCUIT BD ASSY: FILTER	80009	671-1939-00
A3A5	671-1939-01	B010103		CIRCUIT BD ASSY: OSCILLATOR FILTER	80009	671-1939-01
A3A5C1	290-0748-00			CAP, FXD, ELCTLT: 10UF, +50-20%, 25WVDC	24165	501D106F063LL4
A3A5C2	281-0775-01			CAP, FXD, CER DI: 0.1UF, 20%, 50V	04222	SA105E104MAA
A3A5C3	281-0775-01			CAP, FXD, CER DI: 0.1UF, 20%, 50V	04222	SA105E104MAA
A3A5C4	281-0775-01			CAP, FXD, CER DI: 0.1UF, 20%, 50V	04222	SA105E104MAA
A3A5C5	281-0775-01			CAP, FXD, CER DI: 0.1UF, 20%, 50V	04222	SA105E104MAA
A3A5C6	281-0775-01			CAP, FXD, CER DI: 0.1UF, 20%, 50V	04222	SA105E104MAA
A3A5C7	281-0775-01			CAP, FXD, CER DI: 0.1UF, 20%, 50V	04222	SA105E104MAA
A3A5C8	281-0775-01			CAP, FXD, CER DI: 0.1UF, 20%, 50V	04222	SA105E104MAA
A3A5C9	281-0775-01			CAP, FXD, CER DI: 0.1UF, 20%, 50V	04222	SA105E104MAA
A3A5C10	281-0775-01			CAP, FXD, CER DI: 0.1UF, 20%, 50V	04222	SA105E104MAA
A3A5C11	281-0775-01			CAP, FXD, CER DI: 0.1UF, 20%, 50V	04222	SA105E104MAA
A3A5FL1	119-3940-00			SAW FILTER: CENTER FREQ 70 MHZ, BW 10 MHZ, IMP ED=50 OHM, INSERT LOSS 19DB, T-3 PKG	80009	119-3940-00
A3A5FL2	119-3940-00			SAW FILTER: CENTER FREQ 70 MHZ, BW 10 MHZ, IMP ED=50 OHM, INSERT LOSS 19DB, T-3 PKG	80009	119-3940-00
A3A5J1	131-0608-00			TERMINAL, PIN: 0.365 L X 0.025 BRZ GLD PL (QUANTITY 2)	80009	131-0608-00
A3A5L1	108-0212-00			COIL, RF: FIXED, 495NH	80009	108-0212-00
A3A5L2	108-0212-00			COIL, RF: FIXED, 495NH	80009	108-0212-00
A3A5L3	108-0212-00			COIL, RF: FIXED, 495NH	80009	108-0212-00
A3A5U1	156-3047-00			MICROCKT, LINEAR: MONOLITHIC, RF AMPLIFIER	80009	156-3047-00
				*MOUNTING PARTS*		
	136-0727-00			SKT, PL-IN ELEK: MICROCKT, 8 CONTACT	09922	DILB8P-108
				*END MOUNTING PARTS*		
A3A5U2	156-3047-00			MICROCKT, LINEAR: MONOLITHIC, RF AMPLIFIER	80009	156-3047-00
				*MOUNTING PARTS*		
	136-0727-00			SKT, PL-IN ELEK: MICROCKT, 8 CONTACT	09922	DILB8P-108
				*END MOUNTING PARTS*		
A3A5U3	156-3047-00			MICROCKT, LINEAR: MONOLITHIC, RF AMPLIFIER	80009	156-3047-00
				*MOUNTING PARTS*		
	136-0727-00			SKT, PL-IN ELEK: MICROCKT, 8 CONTACT	09922	DILB8P-108
				*END MOUNTING PARTS*		
A3A6	671-2277-00	671-1789-05		CIRCUIT BD ASSY: ANALOG DELAY	80009	671-2277-00
A3A6C1	281-0775-01			CAP, FXD, CER DI: 0.1UF, 20%, 50V	04222	SA105E104MAA
A3A6C2	281-0775-01			CAP, FXD, CER DI: 0.1UF, 20%, 50V	04222	SA105E104MAA
A3A6D1	119-4277-00			DELAY LINE ASSY: 20.0 L, 25NS	80009	119-4277-00
A3A6J1	131-0608-00			TERMINAL, PIN: 0.365 L X 0.025 BRZ GLD PL (QUANTITY 16)	80009	131-0608-00
A3A6R1	322-3119-00			RES, FXD, FILM: 169 OHM, 1%, 0.2W, TC=TO	80009	322-3119-00
A3A6R2	322-3119-00			RES, FXD, FILM: 169 OHM, 1%, 0.2W, TC=TO	80009	322-3119-00
A3A6R3	322-3135-00			RES, FXD, FILM: 249 OHM, 1%, 0.2W, TC=TO	80009	322-3135-00

Component No.	Tektronix Part No.	Serial/Assembly No. Effective Dscnt	Name & Description	Mfr. Code	Mfr. Part No.
A3A6R4	322-3135-00		RES,FXD,FILM:249 OHM,1%,0.2W,TC=TO	80009	322-3135-00
A3A6U1	156-1640-00		IC,DIGITAL:ECL,RECEIVER;TRIPLE LINE;10H116, DIP16.3,TUBE	80009	156-1640-00
A3A7	671-2278-00		CIRCUIT BD ASSY:DIGITAL DELAY	80009	671-2278-00
A3A7C4	281-0775-01		CAP,FXD,CER DI:0.1UF,20%,50V	04222	SA105E104MAA
A3A7C5	281-0775-01		CAP,FXD,CER DI:0.1UF,20%,50V	04222	SA105E104MAA
A3A7D1	119-4276-00		DELAY LINE ASSY:24.0 L,30NS	80009	119-4276-00
A3A7J4	131-0608-00		TERMINAL,PIN:0.365 L X 0.025 BRZ GLD PL (QUANTITY 16)	80009	131-0608-00
A3A7R5	322-3119-00		RES,FXD,FILM:169 OHM,1%,0.2W,TC=TO	80009	322-3119-00
A3A7R6	322-3135-00		RES,FXD,FILM:249 OHM,1%,0.2W,TC=TO	80009	322-3135-00
A3A7R7	322-3119-00		RES,FXD,FILM:169 OHM,1%,0.2W,TC=TO	80009	322-3119-00
A3A7R8	322-3135-00		RES,FXD,FILM:249 OHM,1%,0.2W,TC=TO	80009	322-3135-00
A3A7U2	156-1640-00		IC,DIGITAL:ECL,RECEIVER;TRIPLE LINE;10H116, DIP16.3,TUBE	80009	156-1640-00
A4	671-0912-02		CIRCUIT BD ASSY:POWER SUPPLY *ATTACHED PARTS*	80009	671-0912-02
	211-0534-00		SCR,ASSEM WSHR:6-32 X 0.312,PNH,STL,CD PL,P OZ (QUANTITY 9)	01536	ORDER BY DESCR
	214-4304-00		HEAT SINK,XSTR:CUSTOM ALUM,FOR T0-220 (QTY 3 AT Q224/Q234,Q427/Q432,U350/U356)	80009	214-4304-00
	214-4305-00		HEAT SINK,XSTR:CUSTOM ALUM,FOR T0-220 (QUANTITY 1 AT CR834/CR844/CR934/CR944) *END ATTACHED PARTS*	80009	214-4305-00
A4C111	290-0782-00		CAP,FXD,ELCTLT:4.7UF,+75-20%,35VDC	55680	UVX1V4R7MAA
A4C115	281-0775-01		CAP,FXD,CER DI:0.1UF,20%,50V	04222	SA105E104MAA
A4C116	281-0775-01		CAP,FXD,CER DI:0.1UF,20%,50V	04222	SA105E104MAA
A4C119	283-0059-00		CAP,FXD,CER DI:1UF,+80-20%,50V	04222	SR305C105MAA
A4C125	283-0059-00		CAP,FXD,CER DI:1UF,+80-20%,50V	04222	SR305C105MAA
A4C136	281-0775-01		CAP,FXD,CER DI:0.1UF,20%,50V	04222	SA105E104MAA
A4C144	281-0775-01		CAP,FXD,CER DI:0.1UF,20%,50V	04222	SA105E104MAA
A4C147	283-0339-00		CAP,FXD,CER DI:0.22UF,10%,50V	04222	SR305C224KAA
A4C153	281-0775-01		CAP,FXD,CER DI:0.1UF,20%,50V	04222	SA105E104MAA
A4C158	290-0943-00		CAP,FXD,ELCTLT:47UF,+50-20%,25V	55680	UVX1V47OMPA
A4C160	283-0051-00		CAP,FXD,CER DI:0.0033UF,5%,100V	05397	C330C332J1G5CA
A4C170	290-0943-00		CAP,FXD,ELCTLT:47UF,+50-20%,25V	55680	UVX1V47OMPA
A4C212	283-0103-00		CAP,FXD,CER DI:180PF,5%,500V	80009	283-0103-00
A4C215	283-0051-00		CAP,FXD,CER DI:0.0033UF,5%,100V	05397	C330C332J1G5CA
A4C217	283-0103-00		CAP,FXD,CER DI:180PF,5%,500V	80009	283-0103-00
A4C220	290-0942-00		CAP,FXD,ELCTLT:100UF,+100-10%,50V	24165	672D107H025CG2C
A4C222	290-0943-00		CAP,FXD,ELCTLT:47UF,+50-20%,25V	55680	UVX1V47OMPA
A4C231	290-0778-00		CAP,FXD,ELCTLT:1UF,20%,50V,NPLZD	54473	ECE-A50N1
A4C349	281-0775-01		CAP,FXD,CER DI:0.1UF,20%,50V	04222	SA105E104MAA
A4C350	283-0024-00		CAP,FXD,CER DI:0.1UF,+80-20%,50V	05397	C330C10Y75U1CA
A4C352	290-0943-00		CAP,FXD,ELCTLT:47UF,+50-20%,25V	55680	UVX1V47OMPA
A4C355	281-0775-01		CAP,FXD,CER DI:0.1UF,20%,50V	04222	SA105E104MAA
A4C357	290-0943-00		CAP,FXD,ELCTLT:47UF,+50-20%,25V	55680	UVX1V47OMPA
A4C414	290-0778-00		CAP,FXD,ELCTLT:1UF,20%,50V,NPLZD	54473	ECE-A50N1
A4C429	285-1329-00		CAP,FXD,PLASTIC:METALIZED FILM;680PF,10%,16 00V,POLYPROPYLENE,.70X.43;RADIAL,T/A	80009	285-1329-00
A4C452	290-0942-00		CAP,FXD,ELCTLT:100UF,+100-10%,50V	24165	672D107H025CG2C
A4C454	290-0942-00		CAP,FXD,ELCTLT:100UF,+100-10%,50V	24165	672D107H025CG2C
A4C455	290-0942-00		CAP,FXD,ELCTLT:100UF,+100-10%,50V	24165	672D107H025CG2C
A4C458	290-0942-00		CAP,FXD,ELCTLT:100UF,+100-10%,50V	24165	672D107H025CG2C
A4C506	283-0211-00		CAP,FXD,CER DI:0.1UF,10%,200V	05397	C340C104K2R5CA
A4C512	290-1074-00		CAP,FXD,ELCTLT:470UF,200V	00853	380471M200K04
A4C522	285-1421-00		CAP,FXD,PLASTIC:1.0UF,10%,400V	TK1913	MKS-4
A4C541	283-0078-00		CAP,FXD,CER DI:0.001UF,20%,500V	80009	283-0078-00

TSG 1001 - REPLACEABLE ELECTRICAL PARTS LIST

Component No.	Tektronix Part No.	Serial/Assembly No. Effective Discort	Name & Description	Mfr. Code	Mfr. Part No.
A4C564	290-0773-00		CAP,FXD,ALUM:1000UF,+50-20%,10V,1.00X0.414; AXIAL,BULK	80009	290-0773-00
A4C594	281-0775-01		CAP,FXD,CER DI:0.1UF,20%,50V	04222	SA105E104MAA
A4C623	285-1196-00		CAP,FXD,PPR DI:0.01UF,20%,250V	TK0515	PME 265 MB 510
A4C624	285-1196-00		CAP,FXD,PPR DI:0.01UF,20%,250V	TK0515	PME 265 MB 510
A4C711	290-1074-00		CAP,FXD,ELCTL:470UF,200V	00853	380471M200K04
A4C758	281-0775-01		CAP,FXD,CER DI:0.1UF,20%,50V	04222	SA105E104MAA
A4C782	281-0775-01		CAP,FXD,CER DI:0.1UF,20%,50V	04222	SA105E104MAA
A4C793	281-0775-01		CAP,FXD,CER DI:0.1UF,20%,50V	04222	SA105E104MAA
A4C846	290-0800-00		CAP,FXD,ELCTL:250UF,+100-10%,20V	24165	672D257H020DM5C
A4C848	290-0800-00		CAP,FXD,ELCTL:250UF,+100-10%,20V	24165	672D257H020DM5C
A4C851	290-0800-00		CAP,FXD,ELCTL:250UF,+100-10%,20V	24165	672D257H020DM5C
A4C853	290-0800-00		CAP,FXD,ELCTL:250UF,+100-10%,20V	24165	672D257H020DM5C
A4C856	290-0800-00		CAP,FXD,ELCTL:250UF,+100-10%,20V	24165	672D257H020DM5C
A4C858	290-0800-00		CAP,FXD,ELCTL:250UF,+100-10%,20V	24165	672D257H020DM5C
A4C866	281-0775-01		CAP,FXD,CER DI:0.1UF,20%,50V	04222	SA105E104MAA
A4C881	281-0775-01		CAP,FXD,CER DI:0.1UF,20%,50V	04222	SA105E104MAA
A4C923	285-1252-00		CAP,FXD,PLASTIC:0.15UF,10%,250VAC	D5243	F1772-415-2000
A4C926	285-1252-00		CAP,FXD,PLASTIC:0.15UF,10%,250VAC	D5243	F1772-415-2000
A4CR122	152-0141-02		DIODE,SIG:,ULTRA FAST;40V,150MA,4NS,2PF;1N4152,DO-35,TR	80009	152-0141-02
A4CR123	152-0141-02		DIODE,SIG:,ULTRA FAST;40V,150MA,4NS,2PF;1N4152,DO-35,TR	80009	152-0141-02
A4CR227	152-0581-00		DIODE,RECT:SCHTKY,;20V,1A,.450VF,25A IFSM;1N5817	80009	152-0581-00
A4CR233	152-0581-00		DIODE,RECT:SCHTKY,;20V,1A,.450VF,25A IFSM;1N5817	80009	152-0581-00
A4CR337	152-0839-00		DIODE,RECT:FAST RCVRY;500V,8A,50NS;MUR850,TO-220	80009	152-0839-00
A4CR345	152-0601-01		SEMICON DVC,DI:RECTIFIER,SI,150V,1A,35NS	04713	MUR115RL
A4CR362	152-0066-00		DIODE,RECT:;400V,1A,30A IFSM;GP10G,DO-41,TR	05828	GP10G-020
A4CR363	152-0066-00		DIODE,RECT:;400V,1A,30A IFSM;GP10G,DO-41,TR	05828	GP10G-020
A4CR366	152-0198-00		SEMICON DVC,DI:RECT,SI,200V,3A,A249	03508	1N5624
A4CR367	152-0198-00		SEMICON DVC,DI:RECT,SI,200V,3A,A249	03508	1N5624
A4CR427	152-0581-00		DIODE,RECT:SCHTKY,;20V,1A,.450VF,25A IFSM;1N5817	80009	152-0581-00
A4CR432	152-0581-00		DIODE,RECT:SCHTKY,;20V,1A,.450VF,25A IFSM;1N5817	80009	152-0581-00
A4CR464	152-0198-00		SEMICON DVC,DI:RECT,SI,200V,3A,A249	03508	1N5624
A4CR532	152-0897-00		SEMICON DVC,DI:1000PRV,FAST RCVY	80009	152-0897-00
A4CR533	152-0897-00		SEMICON DVC,DI:1000PRV,FAST RCVY	80009	152-0897-00
A4CR651	152-0601-01		SEMICON DVC,DI:RECTIFIER,SI,150V,1A,35NS	04713	MUR115RL
A4CR653	152-0601-01		SEMICON DVC,DI:RECTIFIER,SI,150V,1A,35NS	04713	MUR115RL
A4CR655	152-0601-01		SEMICON DVC,DI:RECTIFIER,SI,150V,1A,35NS	04713	MUR115RL
A4CR657	152-0601-01		SEMICON DVC,DI:RECTIFIER,SI,150V,1A,35NS	04713	MUR115RL
A4CR658	152-0582-00		DIODE,RECT:SCHTKY,;20V,3A,.475VF,80A IFSM;1N5820	80009	152-0582-00
A4CR691	152-0141-02		DIODE,SIG:,ULTRA FAST;40V,150MA,4NS,2PF;1N4152,DO-35,TR	80009	152-0141-02
A4CR692	152-0141-02		DIODE,SIG:,ULTRA FAST;40V,150MA,4NS,2PF;1N4152,DO-35,TR	80009	152-0141-02
A4CR693	152-0141-02		DIODE,SIG:,ULTRA FAST;40V,150MA,4NS,2PF;1N4152,DO-35,TR	80009	152-0141-02
A4CR694	152-0141-02		DIODE,SIG:,ULTRA FAST;40V,150MA,4NS,2PF;1N4152,DO-35,TR	80009	152-0141-02
A4CR755	152-0582-00		DIODE,RECT:SCHTKY,;20V,3A,.475VF,80A IFSM;1N5820	80009	152-0582-00

Component No.	Tektronix Part No.	Serial/Assembly No. Effective Dscnt	Name & Description	Mfr. Code	Mfr. Part No.
A4CR794	152-0141-02		DIODE, SIG: ,ULTRA FAST;40V,150MA,4NS,2PF;1N4152,DO-35,TR	80009	152-0141-02
A4CR795	152-0141-02		DIODE, SIG: ,ULTRA FAST;40V,150MA,4NS,2PF;1N4152,DO-35,TR	80009	152-0141-02
A4CR821	152-0661-00		DIODE, RECT: ,FAST RCVRY;600V,3A,200NS;TR	80009	152-0661-00
A4CR823	152-0661-00		DIODE, RECT: ,FAST RCVRY;600V,3A,200NS;TR	80009	152-0661-00
A4CR825	152-0661-00		DIODE, RECT: ,FAST RCVRY;600V,3A,200NS;TR	80009	152-0661-00
A4CR828	152-0661-00		DIODE, RECT: ,FAST RCVRY;600V,3A,200NS;TR	80009	152-0661-00
A4CR834	152-0884-00		SEMICON DVC, DI:16 AMP,35V,TO-220,AC PKG	04713	MBR1635
			*MOUNTING PARTS*		
	210-1178-00		WASHER, SHLDR:	80009	210-1178-00
	211-0097-00		SCREW, MACHINE:4-40 X 0.312,PNH,STL	93907	ORDER BY DESCR
	342-0563-00		INSULATOR, PLATE:TRANSISTOR,FIBERGLASS REINFORCED SILICON RUBBER	18565	69-11-8805-1674
			*END MOUNTING PARTS*		
A4CR844	152-0884-00		SEMICON DVC, DI:16 AMP,35V,TO-220,AC PKG	04713	MBR1635
			*MOUNTING PARTS*		
	210-1178-00		WASHER, SHLDR:	80009	210-1178-00
	211-0097-00		SCREW, MACHINE:4-40 X 0.312,PNH,STL	93907	ORDER BY DESCR
	342-0563-00		INSULATOR, PLATE:TRANSISTOR,FIBERGLASS REINFORCED SILICON RUBBER	18565	69-11-8805-1674
			*END MOUNTING PARTS*		
A4CR890	152-0141-02		DIODE, SIG: ,ULTRA FAST;40V,150MA,4NS,2PF;1N4152,DO-35,TR	80009	152-0141-02
A4CR934	152-0884-00		SEMICON DVC, DI:16 AMP,35V,TO-220,AC PKG	04713	MBR1635
			*MOUNTING PARTS*		
	210-1178-00		WASHER, SHLDR:	80009	210-1178-00
	211-0097-00		SCREW, MACHINE:4-40 X 0.312,PNH,STL	93907	ORDER BY DESCR
	342-0563-00		INSULATOR, PLATE:TRANSISTOR,FIBERGLASS REINFORCED SILICON RUBBER	18565	69-11-8805-1674
			*END MOUNTING PARTS*		
A4CR944	152-0884-00		SEMICON DVC, DI:16 AMP,35V,TO-220,AC PKG	04713	MBR1635
			*MOUNTING PARTS*		
	210-1178-00		WASHER, SHLDR:	80009	210-1178-00
	211-0097-00		SCREW, MACHINE:4-40 X 0.312,PNH,STL	93907	ORDER BY DESCR
	342-0563-00		INSULATOR, PLATE:TRANSISTOR,FIBERGLASS REINFORCED SILICON RUBBER	18565	69-11-8805-1674
			*END MOUNTING PARTS*		
A4DS509	150-0035-00		LAMP, GLOW:90V MAX,0.3MA,AID-T,WIRE LD	71744	A1B-120
A4E921	119-0181-00		ARSR, ELEC SURGE:230,GAS FILLED,+/-15%	25088	B1-A230T
A4E924	119-0181-00		ARSR, ELEC SURGE:230,GAS FILLED,+/-15%	25088	B1-A230T
A4F530	159-0021-00		FUSE, CARTRIDGE:3AG,2A,250V,FAST BLOW	71400	AGC-CW-2
			*MOUNTING PARTS*		
	344-0329-00		CLIP, ELECTRICAL:FUSE,5.2 X 20MM,BRZ TIN PL (QUANTITY 2)	S3629	0G 751.0052
			*END MOUNTING PARTS*		
A4F805	159-0173-00		FUSE, CARTRIDGE:3AG,4A,250V,5 SEC	71400	MTH-CW-4
			*MOUNTING PARTS*		
	200-2264-00		CAP, FUSEHOLDER:3AG FUSES	S3629	FEK Q31 1666
	204-0906-00		BODY, FUSEHOLDER:3AG & 5 X 20MM FUSES	S3629	TYPEFAU031.3573
			*END MOUNTING PARTS*		
A4FL605	119-3835-00		FILTER, RFI:3A,250V,400HZ W/PC TERMINALS	TK2133	FN 326-3/02
A4J155	131-0608-00		TERMINAL, PIN:0.365 L X 0.025 BRZ GLD PL (QUANTITY 2)	80009	131-0608-00
			CONN, HDR:	80009	131-3364-00
A4J180	131-3364-00		CONN, HDR:	22526	66506-025
A4J292	131-3323-00		TERMINAL, PIN:0.365 L X 0.025 BRZ GLD PL (QUANTITY 2)	80009	131-0608-00
A4J340	131-0608-00		TERMINAL, PIN:0.365 L X 0.025 BRZ GLD PL (QUANTITY 2)	80009	131-0608-00
A4J439	131-0608-00		TERMINAL, PIN:0.365 L X 0.025 BRZ GLD PL (QUANTITY 2)	80009	131-0608-00
A4J489	131-0608-00		TERMINAL, PIN:0.365 L X 0.025 BRZ GLD PL (QUANTITY 2)	80009	131-0608-00

TSG 1001 - REPLACEABLE ELECTRICAL PARTS LIST

Component No.	Tektronix Part No.	Serial/Assembly No. Effective Discnt	Name & Description	Mfr. Code	Mfr. Part No.
A4J965	131-3364-00		CONN,HDR:	80009	131-3364-00
A4J985	131-3323-00		CONN,HDR:	22526	66506-025
A4L552	108-1262-00		COIL,RF:FXD,100UH,10%,Q=30,SRF 8.2MHZ,DCR 0.23 OHM,I MAX 0.75ARADIAL LEAD	80009	108-1262-00
A4L555	108-1262-00		COIL,RF:FXD,100UH,10%,Q=30,SRF 8.2MHZ,DCR 0.23 OHM,I MAX 0.75ARADIAL LEAD	80009	108-1262-00
A4L662	108-1209-00		COIL,RF:FXD TOROIDAL,80UH MIN,3A DC	80009	108-1209-00
A4L747	108-1289-00		COIL,RF:1UH,30ADC,1.2M,MAX FERRITE SPOOL CO RE	TK1345	Z-1289
A4L756	108-1289-00		COIL,RF:1UH,30ADC,1.2M,MAX FERRITE SPOOL CO RE	TK1345	Z-1289
A4L825	108-1209-00		COIL,RF:FXD TOROIDAL,80UH MIN,3A DC	80009	108-1209-00
A4L947	108-1289-00		COIL,RF:1UH,30ADC,1.2M,MAX FERRITE SPOOL CO RE	TK1345	Z-1289
A4L955	108-1289-00		COIL,RF:1UH,30ADC,1.2M,MAX FERRITE SPOOL CO RE	TK1345	Z-1289
A4P340	131-0993-02		BUS,CONDUCTOR:SHUNT ASSEMBLY,RED	00779	1-850100-0
A4P439	131-0993-02		BUS,CONDUCTOR:SHUNT ASSEMBLY,RED	00779	1-850100-0
A4Q214	151-0190-00		TRANSISTOR,SIG:BIPOLAR,NPN;40V,200MA,300MHZ ,AMPLIFIER;2N3904,TO-92 EBC	80009	151-0190-00
A4Q215	151-0190-00		TRANSISTOR,SIG:BIPOLAR,NPN;40V,200MA,300MHZ ,AMPLIFIER;2N3904,TO-92 EBC	80009	151-0190-00
A4Q222	151-0188-00		TRANSISTOR,SIG:BIPOLAR,PNP;40V,200MA,250MHZ ,AMPLIFIER;2N3906,TO-92 EBC	80009	151-0188-00
A4Q229	151-1282-00		TRANSISTOR,PWR:MOS,N-CH;500V,9.0A,0.4 OHM;M TG9N50E,TO-218 FULLY ISOLATED	80009	151-1282-00
			*MOUNTING PARTS*		
	211-0097-00		SCREW,MACHINE:4-40 X 0.312,PNH,STL	93907	ORDER BY DESCR
	342-0927-00		PAD,CNDCT,XSTR:GRAPHITE FOIL,TO-218/TO3P/TO-24,THM GRAFOIL G4	80009	342-0927-00
			*END MOUNTING PARTS*		
A4Q234	151-1282-00		TRANSISTOR,PWR:MOS,N-CH;500V,9.0A,0.4 OHM;M TG9N50E,TO-218 FULLY ISOLATED	80009	151-1282-00
			*MOUNTING PARTS*		
	211-0097-00		SCREW,MACHINE:4-40 X 0.312,PNH,STL	93907	ORDER BY DESCR
	342-0927-00		PAD,CNDCT,XSTR:GRAPHITE FOIL,TO-218/TO3P/TO-24,THM GRAFOIL G4	80009	342-0927-00
			*END MOUNTING PARTS*		
A4Q316	151-0323-00		TRANSISTOR,PWR:BIPOLAR,NPN;80V,4.0A,2.0MHZ,AMPLIFIER;2N5192,TO-126	80009	151-0323-00
A4Q317	151-0190-00		TRANSISTOR,SIG:BIPOLAR,NPN;40V,200MA,300MHZ ,AMPLIFIER;2N3904,TO-92 EBC	80009	151-0190-00
A4Q415	151-0188-00		TRANSISTOR,SIG:BIPOLAR,PNP;40V,200MA,250MHZ ,AMPLIFIER;2N3906,TO-92 EBC	80009	151-0188-00
A4Q417	151-0188-00		TRANSISTOR,SIG:BIPOLAR,PNP;40V,200MA,250MHZ ,AMPLIFIER;2N3906,TO-92 EBC	80009	151-0188-00
A4Q427	151-1282-00		TRANSISTOR,PWR:MOS,N-CH;500V,9.0A,0.4 OHM;M TG9N50E,TO-218 FULLY ISOLATED	80009	151-1282-00
			*MOUNTING PARTS*		
	211-0097-00		SCREW,MACHINE:4-40 X 0.312,PNH,STL	93907	ORDER BY DESCR
	342-0927-00		PAD,CNDCT,XSTR:GRAPHITE FOIL,TO-218/TO3P/TO-24,THM GRAFOIL G4	80009	342-0927-00
			*END MOUNTING PARTS*		
A4Q432	151-1282-00		TRANSISTOR,PWR:MOS,N-CH;500V,9.0A,0.4 OHM;M TG9N50E,TO-218 FULLY ISOLATED	80009	151-1282-00
			*MOUNTING PARTS*		
	211-0097-00		SCREW,MACHINE:4-40 X 0.312,PNH,STL	93907	ORDER BY DESCR
	342-0927-00		PAD,CNDCT,XSTR:GRAPHITE FOIL,TO-218/TO3P/TO-24,THM GRAFOIL G4	80009	342-0927-00
			*END MOUNTING PARTS*		
A4R112	315-0123-00		RES,FXD,FILM:12K OHM,5%,0.25W	80009	315-0123-00

Component No.	Tektronix Part No.	Serial/Assembly No. Effective	Descnt	Name & Description	Mfr. Code	Mfr. Part No.
A4R113	315-0512-00			RES,FXD,FILM:5.1K OHM,5%,0.25W	80009	315-0512-00
A4R114	315-0472-00			RES,FXD,FILM:4.7K OHM,5%,0.25W	80009	315-0472-00
A4R120	315-0100-00			RES,FXD,FILM:10 OHM,5%,0.25W	19701	5043CX10RR00J
A4R121	315-0272-00			RES,FXD,FILM:2.7K OHM,5%,0.25W	80009	315-0272-00
A4R124	315-0103-00			RES,FXD,FILM:10K OHM,5%,0.25W	80009	315-0103-00
A4R125	315-0103-00			RES,FXD,FILM:10K OHM,5%,0.25W	80009	315-0103-00
A4R126	315-0272-00			RES,FXD,FILM:2.7K OHM,5%,0.25W	80009	315-0272-00
A4R127	315-0471-00			RES,FXD,FILM:470 OHM,5%,0.25W	80009	315-0471-00
A4R128	315-0100-00			RES,FXD,FILM:10 OHM,5%,0.25W	19701	5043CX10RR00J
A4R129	315-0243-00			RES,FXD,FILM:24K OHM,5%,0.25W	80009	315-0243-00
A4R136	315-0432-00			RES,FXD,FILM:4.3K OHM,5%,0.25W	80009	315-0432-00
A4R138	315-0432-00			RES,FXD,FILM:4.3K OHM,5%,0.25W	80009	315-0432-00
A4R143	322-3486-00			RES,FXD,FILM:180 OHM,1%,0.2W,TC=TO	91637	CCF501G180R0F
A4R144	322-3486-00			RES,FXD,FILM:180 OHM,1%,0.2W,TC=TO	91637	CCF501G180R0F
A4R145	322-3162-00			RES,FXD,FILM:475 OHM,1%,0.2W,TC=TO	80009	322-3162-00
A4R151	322-3097-00			RES,FXD,FILM:100 OHM,1%,0.2W,TC=TO	57668	CRB20 FXE 100E
A4R152	322-3222-00			RES,FXD,FILM:2K OHM,1%,0.2W,TC=TO	57668	CRB20 FXE 2K00
A4R153	322-3181-00			RES,FXD,FILM:750 OHM,1%,0.2W,TC=TO	80009	322-3181-00
A4R155	311-1225-00			RES,VAR,NONWV:TRMR,1K OHM,0.5W	32997	3386F-1-102
A4R156	322-3210-00			RES,FXD,FILM:1.5K OHM,1%,0.2W,TC=TO	57668	CRB20 FXE 1K50
A4R158	322-3001-00			RES,FXD,FILM:10 OHM,1%,0.2W,TC=TO	80009	322-3001-00
A4R160	322-3139-00			RES,FXD,FILM:274 OHM,1%,0.2W,TC=TO	80009	322-3139-00
A4R164	308-0546-00			RES,FXD,WV:125 OHM,0.1%,3W,TC=20PPM	80009	308-0546-00
A4R172	315-0100-00			RES,FXD,FILM:10 OHM,5%,0.25W	19701	5043CX10RR00J
A4R173	315-0100-00			RES,FXD,FILM:10 OHM,5%,0.25W	19701	5043CX10RR00J
A4R210	315-0472-00			RES,FXD,FILM:4.7K OHM,5%,0.25W	80009	315-0472-00
A4R211	315-0103-00			RES,FXD,FILM:10K OHM,5%,0.25W	80009	315-0103-00
A4R212	315-0103-00			RES,FXD,FILM:10K OHM,5%,0.25W	80009	315-0103-00
A4R213	315-0103-00			RES,FXD,FILM:10K OHM,5%,0.25W	80009	315-0103-00
A4R215	315-0622-00			RES,FXD,FILM:6.2K OHM,5%,0.25W	80009	315-0622-00
A4R216	315-0562-00			RES,FXD,FILM:5.6K OHM,5%,0.25W	80009	315-0562-00
A4R219	315-0473-00			RES,FXD,FILM:47K OHM,5%,0.25W	80009	315-0473-00
A4R227	315-0270-00			RES,FXD,FILM:27 OHM,5%,0.25W	80009	315-0270-00
A4R233	315-0270-00			RES,FXD,FILM:27 OHM,5%,0.25W	80009	315-0270-00
A4R237	315-0100-00			RES,FXD,FILM:10 OHM,5%,0.25W	19701	5043CX10RR00J
A4R310	315-0242-00			RES,FXD,FILM:2.4K OHM,5%,0.25W	80009	315-0242-00
A4R311	315-0101-00			RES,FXD,FILM:100 OHM,5%,0.25W	80009	315-0101-00
A4R312	315-0623-00			RES,FXD,FILM:62K OHM,5%,0.25W	80009	315-0623-00
A4R313	315-0683-00			RES,FXD,FILM:68K OHM,5%,0.25W	80009	315-0683-00
A4R314	315-0332-00			RES,FXD,FILM:3.3K OHM,5%,0.25W	80009	315-0332-00
A4R315	315-0103-00			RES,FXD,FILM:10K OHM,5%,0.25W	80009	315-0103-00
A4R316	315-0751-00			RES,FXD,FILM:750 OHM,5%,0.25W	80009	315-0751-00
A4R362	315-0102-00			RES,FXD,FILM:1K OHM,5%,0.25W	80009	315-0102-00
A4R363	315-0102-00			RES,FXD,FILM:1K OHM,5%,0.25W	80009	315-0102-00
A4R410	315-0823-00			RES,FXD,FILM:82K OHM,5%,0.25W	80009	315-0823-00
A4R411	315-0472-00			RES,FXD,FILM:4.7K OHM,5%,0.25W	80009	315-0472-00
A4R412	303-0204-00			RES,FXD,CMPSN:200K OHM,5%,1W	80009	303-0204-00
A4R413	321-0466-00			RES,FXD,FILM:698K OHM,1%,0.125W,TC=TO	80009	321-0466-00
A4R414	315-0105-00			RES,FXD,FILM:1M OHM,5%,0.25W	80009	315-0105-00
A4R418	321-0373-03			RES,FXD,FILM:75K OHM,0.25%,0.125W,TC=T2 MI	01121	ADVISE
A4R421	308-0755-00			RES,FXD,WV:0.75 OHM,5%,2W	91637	CPF-1-0R75JT1
A4R427	315-0100-00			RES,FXD,FILM:10 OHM,5%,0.25W	19701	5043CX10RR00J
A4R432	315-0100-00			RES,FXD,FILM:10 OHM,5%,0.25W	19701	5043CX10RR00J
A4R509	315-0106-00			RES,FXD,FILM:10M OHM,5%,0.25W	01121	CB1065
A4R529	303-0154-00			RES,FXD,CMPSN:150K OHM,5%,1W	80009	303-0154-00
A4R540	308-0231-00			RES,FXD,WV:220 OHM,5%,3W	07088	
A4R562	308-0757-00			RES,FXD,WV:0.025 OHM,3%,5W	80009	308-0757-00
A4R664	315-0330-00			RES,FXD,FILM:33 OHM,5%,0.25W	80009	315-0330-00
A4R680	322-3231-00			RES,FXD,FILM:2.49K OHM,1%,0.2W,TC=TO	80009	322-3231-00

TSG 1001 - REPLACEABLE ELECTRICAL PARTS LIST

Component No.	Tektronix Part No.	Serial/Assembly No. Effective Dscont	Name & Description	Mfr. Code	Mfr. Part No.
A4R681	322-3284-00		RES, FXD, FILM: 8.87K OHM, 1%, 0.2W, TC=TO	57668	CRB20 FXE 8K87
A4R682	322-3268-00		RES, FXD, FILM: 6.04K OHM, 1%, 0.2W, TC=TO	80009	322-3268-00
A4R691	322-3231-00		RES, FXD, FILM: 2.49K OHM, 1%, 0.2W, TC=TO	80009	322-3231-00
A4R692	322-3246-00		RES, FXD, FILM: 3.57K OHM, 1%, 0.2W, TC=TO	80009	322-3246-00
A4R705	301-0106-00		RES, FXD, FILM: 10M OHM, 5%, 0.50W	80009	301-0106-00
A4R721	301-0274-00		RES, FXD, FILM: 270K OHM, 5%, 0.5W	80009	301-0274-00
A4R724	315-0182-00		RES, FXD, FILM: 1.8K OHM, 5%, 0.25W	80009	315-0182-00
A4R726	315-0182-00		RES, FXD, FILM: 1.8K OHM, 5%, 0.25W	80009	315-0182-00
A4R758	315-0221-00		RES, FXD, FILM: 220 OHM, 5%, 0.25W	80009	315-0221-00
A4R767	308-0953-00		RES, FXD, WW: 0.005 OHM, 1%, 5W	80009	308-0953-00
A4R780	322-3145-00		RES, FXD, FILM: 316 OHM, 1%, 0.2W, TC=TO	80009	322-3145-00
A4R781	322-3145-00		RES, FXD, FILM: 316 OHM, 1%, 0.2W, TC=TO	80009	322-3145-00
A4R782	322-3001-00		RES, FXD, FILM: 10 OHM, 1%, 0.2W, TC=TO	80009	322-3001-00
A4R783	322-3001-00		RES, FXD, FILM: 10 OHM, 1%, 0.2W, TC=TO	80009	322-3001-00
A4R784	322-3175-00		RES, FXD, FILM: 649 OHM, 1%, 0.2W, TC=TO	80009	322-3175-00
A4R790	322-3175-00		RES, FXD, FILM: 649 OHM, 1%, 0.2W, TC=TO	80009	322-3175-00
A4R792	322-3001-00		RES, FXD, FILM: 10 OHM, 1%, 0.2W, TC=TO	80009	322-3001-00
A4R793	322-3158-00		RES, FXD, FILM: 432 OHM, 1%, 0.2W, TC=TO	80009	322-3158-00
A4R794	322-3001-00		RES, FXD, FILM: 10 OHM, 1%, 0.2W, TC=TO	80009	322-3001-00
A4R866	315-0221-00		RES, FXD, FILM: 220 OHM, 5%, 0.25W	80009	315-0221-00
A4R867	308-0953-00		RES, FXD, WW: 0.005 OHM, 1%, 5W	80009	308-0953-00
A4R880	322-3158-00		RES, FXD, FILM: 432 OHM, 1%, 0.2W, TC=TO	80009	322-3158-00
A4R881	322-3001-00		RES, FXD, FILM: 10 OHM, 1%, 0.2W, TC=TO	80009	322-3001-00
A4R882	322-3001-00		RES, FXD, FILM: 10 OHM, 1%, 0.2W, TC=TO	80009	322-3001-00
A4R890	322-3258-00		RES, FXD, FILM: 4.75K OHM, 1%, 0.2W, TC=TO	80009	322-3258-00
A4R922	303-0100-00		RES, FXD, CMPSN: 10 OHM, 5%, 1W	80009	303-0100-00
A4RT924	307-0746-00		RES, THERMAL: 5 OHM, 10%, 7A/DEG C	80009	307-0746-00
A4RT925	307-0746-00		RES, THERMAL: 5 OHM, 10%, 7A/DEG C	80009	307-0746-00
A4S423	260-0907-03		SWITCH ASSY: THERMOSTATIC, 260-0907-02 WIRED, 18 AWG UL RECONIZED	80009	260-0907-03
	211-0097-00		*MOUNTING PARTS* SCREW, MACHINE: 4-40 X 0.312, PNH, STL (QUANTITY 2) *END MOUNTING PARTS*	93907	ORDER BY DESCR
A4S825	260-1980-01		SWITCH, SLIDE: DPDT, 10A, 125V, MKD 115V/230V	TK0935	4021.1913
A4S905	260-2443-00		SWITCH, PUSH: POWER, DPST, 6A, 250VAC	80009	260-2443-00
	366-1160-00		*ATTACHED PARTS* PUSH BUTTON: CHARCOAL, 0.523 X 0.253 X 0.43 *END ATTACHED PARTS*	80009	366-1160-00
A4T242	120-1655-00		TRANSFORMER, PWR: GATE DR, 1:1:1, 1.5MH, 50KHZ	TK1441	85-404-2
A4T344	120-1561-00		TRANSFORMER, RF: POT CORE	80009	120-1561-00
A4T640	120-1856-00		TRANSFORMER, PWR: SWITCHING, PRI 150 V, SEC + /- 5V 20A, 2V 2A, +/- 15V	75498	128-8079-EE
A4T725	120-1449-00		TRANSFORMER, RF: COMMON MODE, 2.7MH, 2A	80009	120-1449-00
A4TP362	214-4085-00		TERM, TEST POINT: 0.070 ID, 0.220 H, 0.063 DIA PCB, 0.015 X 0.032 BRASS, W/ RED NYLON COLLAR	26364	104-01-02
A4TP363	214-4085-00		TERM, TEST POINT: 0.070 ID, 0.220 H, 0.063 DIA PCB, 0.015 X 0.032 BRASS, W/ RED NYLON COLLAR	26364	104-01-02
A4TP364	214-4085-00		TERM, TEST POINT: 0.070 ID, 0.220 H, 0.063 DIA PCB, 0.015 X 0.032 BRASS, W/ RED NYLON COLLAR	26364	104-01-02
A4TP365	214-4085-00		TERM, TEST POINT: 0.070 ID, 0.220 H, 0.063 DIA PCB, 0.015 X 0.032 BRASS, W/ RED NYLON COLLAR	26364	104-01-02
A4TP366	214-4085-00		TERM, TEST POINT: 0.070 ID, 0.220 H, 0.063 DIA PCB, 0.015 X 0.032 BRASS, W/ RED NYLON COLLAR	26364	104-01-02
A4TP775	214-4085-00		TERM, TEST POINT: 0.070 ID, 0.220 H, 0.063 DIA PCB, 0.015 X 0.032 BRASS, W/ RED NYLON COLLAR	26364	104-01-02
A4U116	156-3827-00		MICROCKT, LINEAR: BIPOLAR, SW REG CONTROLLER, P WM, CURRENT MODE, PUSH PULL OUTPUTS *MOUNTING PARTS*	80009	156-3827-00



Component No.	Tektronix Part No.	Serial/Assembly No. Effective Dscont	Name & Description	Mfr. Code	Mfr. Part No.
	136-0729-00		SKT, PL-IN ELEK:DIP, PCB, 16 CONTACT, 2 X 8, 0.3 X 0.1 CTR, TIN, 0.175 H X 0.130 TAIL, STR *END MOUNTING PARTS*	09922	D1LB16P-108T
A4U125	156-2462-00		IC, MISC:CMOS, MISC; QUAD POWER MOSFET GATE DRIVER; D469ADJ, DIP14.3 *MOUNTING PARTS*	80009	156-2462-00
	136-0728-00		SKT, PL-IN ELEK:MICROCKT, 14 CONTACT *END MOUNTING PARTS*	09922	D1LB14P-108
A4U127	156-1225-01		IC, LINEAR: BIPOLAR, COMPARATOR; DUPLICATE OF 156-1225-00, DO NOT USE; LM393N, DIP08.3	80009	156-1225-01
A4U132	156-0366-02		IC, DIGITAL:	80009	156-0366-02
A4U141	156-0885-00		CPLR, OPTOELECTR: LED, 5KV ISOLATION	04713	SOC 123A
A4U143	156-0885-00		CPLR, OPTOELECTR: LED, 5KV ISOLATION	04713	SOC 123A
A4U147	156-0853-00		IC, LINEAR: BIPOLAR, OP-AMP; DUAL, SINGLE SUPPLY; LM358N, DIP08.3	80009	156-0853-00
A4U160	156-1631-00		IC, LINEAR: BIPOLAR, VOLTAGE REGULATOR; SHUNT, ADJUSTABLE, 100MA; TL431CLP, TO-92	01295	TL431C-LP
A4U350	156-2558-00		MICROCKT, LINEAR: THREE TERMINAL FXD VOLTAGE POSITIVE REGULATORS, +12V, +2% *MOUNTING PARTS*	80009	156-2558-00
	210-1178-00		WASHER, SHLDR:	80009	210-1178-00
	211-0097-00		SCREW, MACHINE: 4-40 X 0.312, PNH, STL	93907	ORDER BY DESCR
	342-0563-00		INSULATOR, PLATE: TRANSISTOR, FIBERGLASS REINFORCED SILICON RUBBER *END MOUNTING PARTS*	18565	69-11-8805-1674
A4U356	156-2559-00		MICROCKT, LINEAR: THREE TERMINAL FXD VOLTAGE NEGATIVE REGULATORS, -12V, -2% *MOUNTING PARTS*	80009	156-2559-00
	210-1178-00		WASHER, SHLDR:	80009	210-1178-00
	211-0097-00		SCREW, MACHINE: 4-40 X 0.312, PNH, STL	93907	ORDER BY DESCR
	342-0563-00		INSULATOR, PLATE: TRANSISTOR, FIBERGLASS REINFORCED SILICON RUBBER *END MOUNTING PARTS*	18565	69-11-8805-1674
A4U589	156-1226-00		IC, LINEAR: BIPOLAR, COMPARATOR; DUAL, OPEN COLLECTOR, 80NS; LM319N, DIP14.3	18324	LM319F
A4U689	156-1226-00		IC, LINEAR: BIPOLAR, COMPARATOR; DUAL, OPEN COLLECTOR, 80NS; LM319N, DIP14.3	18324	LM319F
A4U789	156-1226-00		IC, LINEAR: BIPOLAR, COMPARATOR; DUAL, OPEN COLLECTOR, 80NS; LM319N, DIP14.3	18324	LM319F
A4VR310	152-0520-00		DIODE, ZENER: , ; 12V, 5%, 1W; 1N4742A, DO-41, TR	80009	152-0520-00
A4VR318	152-0647-00		DIODE, ZENER: , ; 6.8V, 5%, 0.4W; 1N957B, DO-7 OR 35, TR	04713	1N957B
A4VR419	152-0304-00		DIODE, ZENER: , ; 20V, 5%, 0.4W; 1N968B, DO-35 OR 7, TR	80009	152-0304-00
A4VR684	152-0175-00		DIODE, ZENER: , ; 5.6V, 5%, 0.4W; 1N752A, DO-7 OR 35, TR	14552	TD3810976
A4VR695	152-0175-00		DIODE, ZENER: , ; 5.6V, 5%, 0.4W; 1N752A, DO-7 OR 35, TR	14552	TD3810976
A4VR880	152-0175-00		DIODE, ZENER: , ; 5.6V, 5%, 0.4W; 1N752A, DO-7 OR 35, TR	14552	TD3810976
A5	671-0911-03		CIRCUIT BD ASSY: CONTROLLER	80009	671-0911-03
A5C1	283-0629-00		CAP, FXD, MICA DI: 62PF, 1%, 500V	80009	283-0629-00
A5C2	281-0775-01		CAP, FXD, CER DI: 0.1UF, 20%, 50V	04222	SA105E104MAA
A5C3	281-0775-01		CAP, FXD, CER DI: 0.1UF, 20%, 50V	04222	SA105E104MAA
A5C4	281-0775-01		CAP, FXD, CER DI: 0.1UF, 20%, 50V	04222	SA105E104MAA
A5C5	281-0775-01		CAP, FXD, CER DI: 0.1UF, 20%, 50V	04222	SA105E104MAA
A5C6	281-0775-01		CAP, FXD, CER DI: 0.1UF, 20%, 50V	04222	SA105E104MAA
A5C7	281-0775-01		CAP, FXD, CER DI: 0.1UF, 20%, 50V	04222	SA105E104MAA
A5C8	281-0775-01		CAP, FXD, CER DI: 0.1UF, 20%, 50V	04222	SA105E104MAA
A5C9	281-0775-01		CAP, FXD, CER DI: 0.1UF, 20%, 50V	04222	SA105E104MAA

TSG 1001 - REPLACEABLE ELECTRICAL PARTS LIST

Component No.	Tektronix Part No.	Serial/Assembly No.		Name & Description	Mfr. Code	Mfr. Part No.
		Effective	Discort			
A5C10	281-0775-01			CAP,FXD,CER DI:0.1UF,20%,50V	04222	SA105E104MAA
A5C11	281-0775-01			CAP,FXD,CER DI:0.1UF,20%,50V	04222	SA105E104MAA
A5C12	281-0775-01			CAP,FXD,CER DI:0.1UF,20%,50V	04222	SA105E104MAA
A5C13	281-0775-01			CAP,FXD,CER DI:0.1UF,20%,50V	04222	SA105E104MAA
A5C14	281-0775-01			CAP,FXD,CER DI:0.1UF,20%,50V	04222	SA105E104MAA
A5C15	281-0775-01			CAP,FXD,CER DI:0.1UF,20%,50V	04222	SA105E104MAA
A5C16	281-0775-01			CAP,FXD,CER DI:0.1UF,20%,50V	04222	SA105E104MAA
A5C17	281-0775-01			CAP,FXD,CER DI:0.1UF,20%,50V	04222	SA105E104MAA
A5C18	281-0775-01			CAP,FXD,CER DI:0.1UF,20%,50V	04222	SA105E104MAA
A5C19	281-0775-01			CAP,FXD,CER DI:0.1UF,20%,50V	04222	SA105E104MAA
A5C20	281-0775-01			CAP,FXD,CER DI:0.1UF,20%,50V	04222	SA105E104MAA
A5C21	281-0775-01			CAP,FXD,CER DI:0.1UF,20%,50V	04222	SA105E104MAA
A5C22	281-0775-01			CAP,FXD,CER DI:0.1UF,20%,50V	04222	SA105E104MAA
A5C23	281-0775-01			CAP,FXD,CER DI:0.1UF,20%,50V	04222	SA105E104MAA
A5C24	281-0775-01			CAP,FXD,CER DI:0.1UF,20%,50V	04222	SA105E104MAA
A5C25	281-0775-01			CAP,FXD,CER DI:0.1UF,20%,50V	04222	SA105E104MAA
A5C26	281-0775-01			CAP,FXD,CER DI:0.1UF,20%,50V	04222	SA105E104MAA
A5C27	281-0775-01			CAP,FXD,CER DI:0.1UF,20%,50V	04222	SA105E104MAA
A5C28	281-0775-01			CAP,FXD,CER DI:0.1UF,20%,50V	04222	SA105E104MAA
A5C29	281-0775-01			CAP,FXD,CER DI:0.1UF,20%,50V	04222	SA105E104MAA
A5C30	281-0773-00			CAP,FXD,CER DI:0.01UF,10%,100V	04222	SA201C103KAA
A5C31	285-1100-00			CAP,FXD,PLASTIC:0.022UF,5%,200V	19396	223J02PT485
A5C32	281-0775-01			CAP,FXD,CER DI:0.1UF,20%,50V	04222	SA105E104MAA
A5C33	281-0775-01			CAP,FXD,CER DI:0.1UF,20%,50V	04222	SA105E104MAA
A5C34	283-0615-00			CAP,FXD,MICA DI:33PF,5%,500V	80009	283-0615-00
A5C35	283-0615-00			CAP,FXD,MICA DI:33PF,5%,500V	80009	283-0615-00
A5C36	283-0788-00			CAP,FXD,MICA DI:267PF,1%,500V	80009	283-0788-00
A5C37	283-0788-00			CAP,FXD,MICA DI:267PF,1%,500V	80009	283-0788-00
A5C38	283-0788-00			CAP,FXD,MICA DI:267PF,1%,500V	80009	283-0788-00
A5C39	283-0788-00			CAP,FXD,MICA DI:267PF,1%,500V	80009	283-0788-00
A5C40	285-1100-00			CAP,FXD,PLASTIC:0.022UF,5%,200V	19396	223J02PT485
A5C41	281-0775-01			CAP,FXD,CER DI:0.1UF,20%,50V	04222	SA105E104MAA
A5C42	281-0775-01			CAP,FXD,CER DI:0.1UF,20%,50V	04222	SA105E104MAA
A5C43	281-0775-01			CAP,FXD,CER DI:0.1UF,20%,50V	04222	SA105E104MAA
A5C44	281-0775-01			CAP,FXD,CER DI:0.1UF,20%,50V	04222	SA105E104MAA
A5C45	281-0775-01			CAP,FXD,CER DI:0.1UF,20%,50V	04222	SA105E104MAA
A5C46	281-0775-01			CAP,FXD,CER DI:0.1UF,20%,50V	04222	SA105E104MAA
A5C47	281-0775-01			CAP,FXD,CER DI:0.1UF,20%,50V	04222	SA105E104MAA
A5C48	281-0775-01			CAP,FXD,CER DI:0.1UF,20%,50V	04222	SA105E104MAA
A5C49	281-0775-01			CAP,FXD,CER DI:0.1UF,20%,50V	04222	SA105E104MAA
A5C50	281-0775-01			CAP,FXD,CER DI:0.1UF,20%,50V	04222	SA105E104MAA
A5C51	281-0775-01			CAP,FXD,CER DI:0.1UF,20%,50V	04222	SA105E104MAA
A5C52	281-0775-01			CAP,FXD,CER DI:0.1UF,20%,50V	04222	SA105E104MAA
A5C53	281-0775-01			CAP,FXD,CER DI:0.1UF,20%,50V	04222	SA105E104MAA
A5C54	281-0775-01			CAP,FXD,CER DI:0.1UF,20%,50V	04222	SA105E104MAA
A5C55	281-0775-01			CAP,FXD,CER DI:0.1UF,20%,50V	04222	SA105E104MAA
A5C56	281-0775-01			CAP,FXD,CER DI:0.1UF,20%,50V	04222	SA105E104MAA
A5C57	281-0775-01			CAP,FXD,CER DI:0.1UF,20%,50V	04222	SA105E104MAA
A5C58	281-0775-01			CAP,FXD,CER DI:0.1UF,20%,50V	04222	SA105E104MAA
A5C59	281-0775-01			CAP,FXD,CER DI:0.1UF,20%,50V	04222	SA105E104MAA
A5C60	281-0775-01			CAP,FXD,CER DI:0.1UF,20%,50V	04222	SA105E104MAA
A5C61	281-0775-01			CAP,FXD,CER DI:0.1UF,20%,50V	04222	SA105E104MAA
A5C62	281-0775-01			CAP,FXD,CER DI:0.1UF,20%,50V	04222	SA105E104MAA
A5C63	281-0775-01			CAP,FXD,CER DI:0.1UF,20%,50V	04222	SA105E104MAA
A5C64	281-0775-01			CAP,FXD,CER DI:0.1UF,20%,50V	04222	SA105E104MAA
A5C65	281-0775-01			CAP,FXD,CER DI:0.1UF,20%,50V	04222	SA105E104MAA
A5C66	281-0775-01			CAP,FXD,CER DI:0.1UF,20%,50V	04222	SA105E104MAA
A5C67	281-0775-01			CAP,FXD,CER DI:0.1UF,20%,50V	04222	SA105E104MAA
A5C68	281-0775-01			CAP,FXD,CER DI:0.1UF,20%,50V	04222	SA105E104MAA

Component No.	Tektronix Part No.	Serial/Assembly No. Effective Dscont	Name & Description	Mfr. Code	Mfr. Part No.
A5C69	281-0775-01		CAP, FXD, CER DI: 0.1UF, 20%, 50V	04222	SA105E104MAA
A5C70	281-0775-01		CAP, FXD, CER DI: 0.1UF, 20%, 50V	04222	SA105E104MAA
A5C71	281-0775-01		CAP, FXD, CER DI: 0.1UF, 20%, 50V	04222	SA105E104MAA
A5C72	281-0775-01		CAP, FXD, CER DI: 0.1UF, 20%, 50V	04222	SA105E104MAA
A5C73	281-0775-01		CAP, FXD, CER DI: 0.1UF, 20%, 50V	04222	SA105E104MAA
A5C74	281-0775-01		CAP, FXD, CER DI: 0.1UF, 20%, 50V	04222	SA105E104MAA
A5C75	281-0775-01		CAP, FXD, CER DI: 0.1UF, 20%, 50V	04222	SA105E104MAA
A5C76	281-0775-01		CAP, FXD, CER DI: 0.1UF, 20%, 50V	04222	SA105E104MAA
A5C77	281-0775-01		CAP, FXD, CER DI: 0.1UF, 20%, 50V	04222	SA105E104MAA
A5C78	281-0775-01		CAP, FXD, CER DI: 0.1UF, 20%, 50V	04222	SA105E104MAA
A5C81	281-0775-01		CAP, FXD, CER DI: 0.1UF, 20%, 50V	04222	SA105E104MAA
A5C82	281-0775-01		CAP, FXD, CER DI: 0.1UF, 20%, 50V	04222	SA105E104MAA
A5C83	281-0775-01		CAP, FXD, CER DI: 0.1UF, 20%, 50V	04222	SA105E104MAA
A5C84	290-0973-00		CAP, FXD, ELCTLT: 100UF, 20%, 25VDC	24165	513D107M025BB4D
A5C85	281-0775-01		CAP, FXD, CER DI: 0.1UF, 20%, 50V	04222	SA105E104MAA
A5C86	281-0775-01		CAP, FXD, CER DI: 0.1UF, 20%, 50V	04222	SA105E104MAA
A5C87	281-0775-01		CAP, FXD, CER DI: 0.1UF, 20%, 50V	04222	SA105E104MAA
A5C88	281-0775-01		CAP, FXD, CER DI: 0.1UF, 20%, 50V	04222	SA105E104MAA
A5C90	281-0775-01		CAP, FXD, CER DI: 0.1UF, 20%, 50V	04222	SA105E104MAA
A5CR1	152-0141-02		DIODE, SIG: ,ULTRA FAST; 40V, 150MA, 4NS, 2PF; 1N4 152, DO-35, TR	80009	152-0141-02
A5CR2	152-0141-02		DIODE, SIG: ,ULTRA FAST; 40V, 150MA, 4NS, 2PF; 1N4 152, DO-35, TR	80009	152-0141-02
A5CR3	152-0141-02		DIODE, SIG: ,ULTRA FAST; 40V, 150MA, 4NS, 2PF; 1N4 152, DO-35, TR	80009	152-0141-02
A5CR4	152-0141-02		DIODE, SIG: ,ULTRA FAST; 40V, 150MA, 4NS, 2PF; 1N4 152, DO-35, TR	80009	152-0141-02
A5CR5	152-0141-02		DIODE, SIG: ,ULTRA FAST; 40V, 150MA, 4NS, 2PF; 1N4 152, DO-35, TR	80009	152-0141-02
A5CR6	152-0141-02		DIODE, SIG: ,ULTRA FAST; 40V, 150MA, 4NS, 2PF; 1N4 152, DO-35, TR	80009	152-0141-02
A5CR7	152-0141-02		DIODE, SIG: ,ULTRA FAST; 40V, 150MA, 4NS, 2PF; 1N4 152, DO-35, TR	80009	152-0141-02
A5CR8	152-0141-02		DIODE, SIG: ,ULTRA FAST; 40V, 150MA, 4NS, 2PF; 1N4 152, DO-35, TR	80009	152-0141-02
A5CR9	152-0141-02		DIODE, SIG: ,ULTRA FAST; 40V, 150MA, 4NS, 2PF; 1N4 152, DO-35, TR	80009	152-0141-02
A5CR10	152-0141-02		DIODE, SIG: ,ULTRA FAST; 40V, 150MA, 4NS, 2PF; 1N4 152, DO-35, TR	80009	152-0141-02
A5CR11	152-0141-02		DIODE, SIG: ,ULTRA FAST; 40V, 150MA, 4NS, 2PF; 1N4 152, DO-35, TR	80009	152-0141-02
A5CR12	152-0141-02		DIODE, SIG: ,ULTRA FAST; 40V, 150MA, 4NS, 2PF; 1N4 152, DO-35, TR	80009	152-0141-02
A5CR13	152-0141-02		DIODE, SIG: ,ULTRA FAST; 40V, 150MA, 4NS, 2PF; 1N4 152, DO-35, TR	80009	152-0141-02
A5CR14	152-0141-02		DIODE, SIG: ,ULTRA FAST; 40V, 150MA, 4NS, 2PF; 1N4 152, DO-35, TR	80009	152-0141-02
A5CR15	152-0141-02		DIODE, SIG: ,ULTRA FAST; 40V, 150MA, 4NS, 2PF; 1N4 152, DO-35, TR	80009	152-0141-02
A5CR16	152-0141-02		DIODE, SIG: ,ULTRA FAST; 40V, 150MA, 4NS, 2PF; 1N4 152, DO-35, TR	80009	152-0141-02
A5CR17	152-0141-02		DIODE, SIG: ,ULTRA FAST; 40V, 150MA, 4NS, 2PF; 1N4 152, DO-35, TR	80009	152-0141-02
A5CR18	152-0141-02		DIODE, SIG: ,ULTRA FAST; 40V, 150MA, 4NS, 2PF; 1N4 152, DO-35, TR	80009	152-0141-02
A5CR19	152-0141-02		DIODE, SIG: ,ULTRA FAST; 40V, 150MA, 4NS, 2PF; 1N4 152, DO-35, TR	80009	152-0141-02
A5CR20	152-0141-02		DIODE, SIG: ,ULTRA FAST; 40V, 150MA, 4NS, 2PF; 1N4 152, DO-35, TR	80009	152-0141-02

TSG 1001 - REPLACEABLE ELECTRICAL PARTS LIST

Component No.	Tektronix Part No.	Serial/Assembly No. Effective Dscnt	Name & Description	Mfr. Code	Mfr. Part No.
A5CR21	152-0141-02		DIODE,SIG:,ULTRA FAST;40V,150MA,4NS,2PF;1N4152,DO-35,TR	80009	152-0141-02
A5CR22	152-0141-02		DIODE,SIG:,ULTRA FAST;40V,150MA,4NS,2PF;1N4152,DO-35,TR	80009	152-0141-02
A5CR23	152-0141-02		DIODE,SIG:,ULTRA FAST;40V,150MA,4NS,2PF;1N4152,DO-35,TR	80009	152-0141-02
A5CR24	152-0141-02		DIODE,SIG:,ULTRA FAST;40V,150MA,4NS,2PF;1N4152,DO-35,TR	80009	152-0141-02
A5CR25	152-0141-02		DIODE,SIG:,ULTRA FAST;40V,150MA,4NS,2PF;1N4152,DO-35,TR	80009	152-0141-02
A5CR26	152-0141-02		DIODE,SIG:,ULTRA FAST;40V,150MA,4NS,2PF;1N4152,DO-35,TR	80009	152-0141-02
A5CR27	152-0141-02		DIODE,SIG:,ULTRA FAST;40V,150MA,4NS,2PF;1N4152,DO-35,TR	80009	152-0141-02
A5CR28	152-0141-02		DIODE,SIG:,ULTRA FAST;40V,150MA,4NS,2PF;1N4152,DO-35,TR	80009	152-0141-02
A5CR29	152-0141-02		DIODE,SIG:,ULTRA FAST;40V,150MA,4NS,2PF;1N4152,DO-35,TR	80009	152-0141-02
A5J1	131-0608-00		TERMINAL,PIN:0.365 L X 0.025 BRZ GLD PL (QUANTITY 3)	80009	131-0608-00
A5J2	131-0608-00		TERMINAL,PIN:0.365 L X 0.025 BRZ GLD PL (QUANTITY 3)	80009	131-0608-00
A5J3	131-3364-00		CONN,HDR:	80009	131-3364-00
A5J4	131-3364-00		CONN,HDR:	80009	131-3364-00
A5J5	131-3364-00		CONN,HDR:	80009	131-3364-00
A5J6	131-3364-00		CONN,HDR:	80009	131-3364-00
A5J7	131-3364-00		CONN,HDR:	80009	131-3364-00
A5J8	131-3323-00		CONN,HDR:	22526	66506-025
A5J9	131-3323-00		CONN,HDR:	22526	66506-025
A5J10	131-1425-00		CONN,HDR: :PCB,;MALE,RTANG,1 X 36,0.1 CTR,0.230 MLG X 0.090 TAIL,30 GOLD,STACKABLE;;	22526	65521-136
A5J11	131-3364-00		CONN,HDR:	80009	131-3364-00
A5J12	131-3364-00		CONN,HDR:	80009	131-3364-00
A5J13	131-3362-00		CONN,HDR:	80009	131-3362-00
A5J14	131-0608-00		TERMINAL,PIN:0.365 L X 0.025 BRZ GLD PL (QUANTITY 3)	80009	131-0608-00
A5J15	131-0608-00		TERMINAL,PIN:0.365 L X 0.025 BRZ GLD PL (QUANTITY 3)	80009	131-0608-00
A5J16	131-3362-00		CONN,HDR:	80009	131-3362-00
A5J17	131-0608-00		TERMINAL,PIN:0.365 L X 0.025 BRZ GLD PL (QUANTITY 3)	80009	131-0608-00
A5LS1	119-2101-00		XDCR,AUDIO:	TK1066	SMX-06
A5P1	131-0993-02		BUS,CONDUCTOR:SHUNT ASSEMBLY,RED	00779	1-850100-0
A5P2	131-0993-02		BUS,CONDUCTOR:SHUNT ASSEMBLY,RED	00779	1-850100-0
A5P14	131-0993-00		BUS,CONDUCTOR:SHUNT/SHORTING,;FEMALE,STR,1 X 2,0.1 CTR,0.385 H,30 GOLD,BLACK;;	22526	65474-006
A5P15	131-0993-02		BUS,CONDUCTOR:SHUNT ASSEMBLY,RED	00779	1-850100-0
A5P17	131-0993-02		BUS,CONDUCTOR:SHUNT ASSEMBLY,RED	00779	1-850100-0
A5Q1	151-0199-00		TRANSISTOR,SIG:BIPOLAR,PNP;12V,80MA,SWITCHING;MPS3640,TO-92 EBC	80009	151-0199-00
A5Q2	151-0190-00		TRANSISTOR,SIG:BIPOLAR,NPN;40V,200MA,300MHZ,AMPLIFIER;2N3904,TO-92 EBC	80009	151-0190-00
A5R1	322-3001-00		RES,FXD,FILM:10 OHM,1%,0.2W,TC=TO	80009	322-3001-00
A5R2	322-3210-00		RES,FXD,FILM:1.5K OHM,1%,0.2W,TC=TO	57668	CRB20 FXE 1K50
A5R3	322-3173-00		RES,FXD,FILM:619 OHM,1%,0.2W,TC=TO	91637	CCF50-2F619R0F
A5R4	307-0650-00		RES NTWK,FXD,FI:9,2.7K OHM,5%,0.150W	11236	750-101-R2.7K
A5R5	307-0650-00		RES NTWK,FXD,FI:9,2.7K OHM,5%,0.150W	11236	750-101-R2.7K
A5R6	307-0636-00		RES NTWK,FXD,FI:8,330 OHM,2%,0.125 W	80009	307-0636-00
A5R8	322-3360-02		RES,FXD,FILM:54.9K OHM,0.5%,0.2W,TC=T2	57668	CRB20 DYE 54K9

Component No.	Tektronix Part No.	Serial/Assembly No. Effective Dscnt	Name & Description	Mfr. Code	Mfr. Part No.
A5R9	322-3360-02		RES,FXD,FILM:54.9K OHM,0.5%,0.2W,TC=T2	57668	CRB20 DYE 54K9
A5R10	307-0636-00		RES NTKW,FXD,FI:8,330 OHM,2%,0.125 W	80009	307-0636-00
A5R11	307-0636-00		RES NTKW,FXD,FI:8,330 OHM,2%,0.125 W	80009	307-0636-00
A5R12	307-0636-00		RES NTKW,FXD,FI:8,330 OHM,2%,0.125 W	80009	307-0636-00
A5R13	307-0636-00		RES NTKW,FXD,FI:8,330 OHM,2%,0.125 W	80009	307-0636-00
A5R14	307-0650-00		RES NTKW,FXD,FI:9,2.7K OHM,5%,0.150W	11236	750-101-R2.7K
A5R16	307-0650-00		RES NTKW,FXD,FI:9,2.7K OHM,5%,0.150W	11236	750-101-R2.7K
A5R18	322-3310-00		RES,FXD,FILM:16.5K OHM,1%,0.2W,TC=TO	57668	CRB20 FXE 16K5
A5R20	322-3193-00		RES,FXD,FILM:1K OHM,1%,0.2W,TC=TO	57668	CRB20 FXE 1K00
A5R21	322-3193-00		RES,FXD,FILM:1K OHM,1%,0.2W,TC=TO	57668	CRB20 FXE 1K00
A5R22	322-3481-00		RES,FXD,FILM:1M OHM,1%,0.2W,TC=TO	80009	322-3481-00
A5R23	322-3097-00		RES,FXD,FILM:100 OHM,1%,0.2W,TC=TO	57668	CRB20 FXE 100E
A5R24	322-3138-00		RES,FXD,FILM:267 OHM,1%,0.2W,TC=TO	80009	322-3138-00
A5R25	322-3138-00		RES,FXD,FILM:267 OHM,1%,0.2W,TC=TO	80009	322-3138-00
A5R26	322-3138-00		RES,FXD,FILM:267 OHM,1%,0.2W,TC=TO	80009	322-3138-00
A5R27	322-3138-00		RES,FXD,FILM:267 OHM,1%,0.2W,TC=TO	80009	322-3138-00
A5R28	307-0650-00		RES NTKW,FXD,FI:9,2.7K OHM,5%,0.150W	11236	750-101-R2.7K
A5R29	322-3385-00		RES,FXD,FILM:100K OHM,1%,0.2W,TC=TO	57668	CRB20 FXE 100K
A5R30	322-3385-00		RES,FXD,FILM:100K OHM,1%,0.2W,TC=TO	57668	CRB20 FXE 100K
A5R31	322-3385-00		RES,FXD,FILM:100K OHM,1%,0.2W,TC=TO	57668	CRB20 FXE 100K
A5R32	322-3385-00		RES,FXD,FILM:100K OHM,1%,0.2W,TC=TO	57668	CRB20 FXE 100K
A5R33	307-0648-00		RES NTKW,FXD,FI:8,100 OHM,2%,0.125 W	80009	307-0648-00
A5R34	307-0648-00		RES NTKW,FXD,FI:8,100 OHM,2%,0.125 W	80009	307-0648-00
A5R35	307-0650-00		RES NTKW,FXD,FI:9,2.7K OHM,5%,0.150W	11236	750-101-R2.7K
A5R36	307-0650-00		RES NTKW,FXD,FI:9,2.7K OHM,5%,0.150W	11236	750-101-R2.7K
A5R37	307-0650-00		RES NTKW,FXD,FI:9,2.7K OHM,5%,0.150W	11236	750-101-R2.7K
A5S1	260-1721-00		SWITCH,ROCKER:8,SPST,125MA,30VDC	81073	76SB08S
A5TP1	214-4085-00		TERM,TEST POINT:0.070 ID,0.220 H,0.063 DIA PCB,0.015 X 0.032 BRASS,W/ RED NYLON COLLAR	26364	104-01-02
A5TP2	214-4085-00		TERM,TEST POINT:0.070 ID,0.220 H,0.063 DIA PCB,0.015 X 0.032 BRASS,W/ RED NYLON COLLAR	26364	104-01-02
A5TP3	214-4085-00		TERM,TEST POINT:0.070 ID,0.220 H,0.063 DIA PCB,0.015 X 0.032 BRASS,W/ RED NYLON COLLAR	26364	104-01-02
A5TP4	214-4085-00		TERM,TEST POINT:0.070 ID,0.220 H,0.063 DIA PCB,0.015 X 0.032 BRASS,W/ RED NYLON COLLAR	26364	104-01-02
A5TP5	214-4085-00		TERM,TEST POINT:0.070 ID,0.220 H,0.063 DIA PCB,0.015 X 0.032 BRASS,W/ RED NYLON COLLAR	26364	104-01-02
A5TP6	214-4085-00		TERM,TEST POINT:0.070 ID,0.220 H,0.063 DIA PCB,0.015 X 0.032 BRASS,W/ RED NYLON COLLAR	26364	104-01-02
A5TP7	214-4085-00		TERM,TEST POINT:0.070 ID,0.220 H,0.063 DIA PCB,0.015 X 0.032 BRASS,W/ RED NYLON COLLAR	26364	104-01-02
A5TP8	214-4085-00		TERM,TEST POINT:0.070 ID,0.220 H,0.063 DIA PCB,0.015 X 0.032 BRASS,W/ RED NYLON COLLAR	26364	104-01-02
A5TP9	214-4085-00		TERM,TEST POINT:0.070 ID,0.220 H,0.063 DIA PCB,0.015 X 0.032 BRASS,W/ RED NYLON COLLAR	26364	104-01-02
A5TP10	214-4085-00		TERM,TEST POINT:0.070 ID,0.220 H,0.063 DIA PCB,0.015 X 0.032 BRASS,W/ RED NYLON COLLAR	26364	104-01-02
A5U1	156-0983-03		IC,PROCESSOR:NMOS,MICROPROCESSOR;8-BIT;Z80B ,DIP40.6	56708	Z80BCPUDS
	136-0757-00		*MOUNTING PARTS* SKT,PL-IN ELEK:MICROCIRCUIT,40 DIP *END MOUNTING PARTS*	09922	DILB40P-108
A5U3	156-2991-00		IC,MEMORY:CMOS,NVRAM;8K X 8,200NS,SRAM,INTE GRAL BATTERY; ,DIP28.6SAFETY CONTROLLED	80009	156-2991-00
	136-0755-00		*MOUNTING PARTS* SOCKET,DIP::PCB; ,28 POS,2 X 14,0.1 X 0.6 CT R,0.175 H X 0.13 TAIL,BECU,TIN; , , *END MOUNTING PARTS*	09922	DILB28P-108
A5U4	156-0724-02		IC,DIGITAL:LSTTL,GATES;DUPLICATE OF 156-072 4-00;74LS05,DIP14.3	80009	156-0724-02

TSG 1001 - REPLACEABLE ELECTRICAL PARTS LIST

Component No.	Tektronix Part No.	Serial/Assembly No. Effective Dscnt	Name & Description	Mfr. Code	Mfr. Part No.
A5U5	156-1026-02		IC,DIGITAL:LSTTL,DEMUX;DUPLICATE OF 156-1026-00;74LS154,DIP24.6,TUBE	01295	SN74LS154N P3
A5U6	156-2628-00		MICROCKT,DGTL:COUNTER/TIMER LOGIC	56708	Z8430B PS OR CS
	136-0755-00		*MOUNTING PARTS* SOCKET,DIP:PCB,;28 POS,2 X 14,0.1 X 0.6 CT R,0.175 H X 0.13 TAIL,BECU,TIN;,, *END MOUNTING PARTS*	09922	DILB28P-108
A5U7	156-1111-02		IC,DIGITAL:LSTTL,TRANSCEIVER;DUPLICATE OF 156-1111-00;74LS245,DIP20.3,TUBE	80009	156-1111-02
A5U7	136-0752-00		*MOUNTING PARTS* SKT,PL-IN ELEK:MICROCIRCUIT,20 DIP *END MOUNTING PARTS*	09922	DILB20P-108
A5U9	156-1026-02		IC,DIGITAL:LSTTL,DEMUX;DUPLICATE OF 156-1026-00;74LS154,DIP24.6,TUBE	01295	SN74LS154N P3
A5U10	156-3050-00		IC,MISC:	80009	156-3050-00
A5U11	160-5900-03		IC,MEMORY:16 X 8 EPROM;PRGM;27C65	80009	160-5900-03
	136-0755-00		*MOUNTING PARTS* SOCKET,DIP:PCB,;28 POS,2 X 14,0.1 X 0.6 CT R,0.175 H X 0.13 TAIL,BECU,TIN;,, *END MOUNTING PARTS*	09922	DILB28P-108
A5U12	156-0385-02		IC,DIGITAL:LSTTL,GATES;DUPLICATE OF 156-0385-00;74LS04,DIP14.3,TUBE	80009	156-0385-02
A5U13	156-0438-00		IC,DIGITAL:LSTTL,BUFFER;NONINV OCTAL, DRIVE R, 3-STATE;74LS541,DIP20.3,TUBE	01295	SN74LS541PL3
A5U14	156-0438-00		IC,DIGITAL:LSTTL,BUFFER;NONINV OCTAL, DRIVE R, 3-STATE;74LS541,DIP20.3,TUBE	01295	SN74LS541PL3
A5U19	156-0438-00		IC,DIGITAL:LSTTL,BUFFER;NONINV OCTAL, DRIVE R, 3-STATE;74LS541,DIP20.3,TUBE	01295	SN74LS541PL3
A5U20	156-1215-01		IC,DIGITAL:CMOS,MUX/ENCODER;20-KEY ENCODER;74C923,DIP18.3,TUBE,SCRN	27014	MM74C923JA+
A5U21	156-1215-01		IC,DIGITAL:CMOS,MUX/ENCODER;20-KEY ENCODER;74C923,DIP18.3,TUBE,SCRN	27014	MM74C923JA+
A5U22	156-2392-00		IC,DIGITAL:HCMS,GATE;HEX INV, SCHMITT TRIG ;74HC14,DIP14.3,TUBE	80009	156-2392-00
A5U23	156-1664-00		IC,DIGITAL:ALSTTL,FLIP FLOP;OCTAL NONINV D-TYPE, 3-STATE;74ALS574,DIP20.3,TUBE	80009	156-1664-00
A5U24	156-1664-00		IC,DIGITAL:ALSTTL,FLIP FLOP;OCTAL NONINV D-TYPE, 3-STATE;74ALS574,DIP20.3,TUBE	80009	156-1664-00
A5U25	156-1664-00		IC,DIGITAL:ALSTTL,FLIP FLOP;OCTAL NONINV D-TYPE, 3-STATE;74ALS574,DIP20.3,TUBE	80009	156-1664-00
A5U26	156-1664-00		IC,DIGITAL:ALSTTL,FLIP FLOP;OCTAL NONINV D-TYPE, 3-STATE;74ALS574,DIP20.3,TUBE	80009	156-1664-00
A5U27	156-1664-00		IC,DIGITAL:ALSTTL,FLIP FLOP;OCTAL NONINV D-TYPE, 3-STATE;74ALS574,DIP20.3,TUBE	80009	156-1664-00
A5U28	156-0438-00		IC,DIGITAL:LSTTL,BUFFER;NONINV OCTAL, DRIVE R, 3-STATE;74LS541,DIP20.3,TUBE	01295	SN74LS541PL3
A5U29	156-0438-00		IC,DIGITAL:LSTTL,BUFFER;NONINV OCTAL, DRIVE R, 3-STATE;74LS541,DIP20.3,TUBE	01295	SN74LS541PL3
A5U30	156-3509-00		IC,DIGITAL:	80009	156-3509-00
A5U31	160-5899-00		MICROCKT,DGTL:OCTAL 20 INPUT REG,PRGM	80009	160-5899-00
	136-0752-00		*MOUNTING PARTS* SKT,PL-IN ELEK:MICROCIRCUIT,20 DIP *END MOUNTING PARTS*	09922	DILB20P-108
A5U32	156-1935-00		IC,DIGITAL:FTTL,COUNTER;SYNCH 4-BIT BINARY;74F163,DIP16.3,TUBE,SCRN	80009	156-1935-00
A5U33	156-1935-00		IC,DIGITAL:FTTL,COUNTER;SYNCH 4-BIT BINARY;74F163,DIP16.3,TUBE,SCRN	80009	156-1935-00
A5U34	160-5902-02		IC,MEMORY:2048 X 8 REGISTERED PROM;PRGM;63R S1681A	80009	160-5902-02
			*MOUNTING PARTS*		

Component No.	Tektronix Part No.	Serial/Assembly No. Effective Dscnt	Name & Description	Mfr. Code	Mfr. Part No.
	136-0925-00		SOCKET,DIP:: *END MOUNTING PARTS*	91506	224-AG30D
A5U35	156-2028-00		IC,DIGITAL:ASTTL,COMPARATOR;8-BIT MAGNITUDE , LATCHED P&Q;74AS866,DIP28.6,TUBE	80009	156-2028-00
A5U36	156-2028-00		IC,DIGITAL:ASTTL,COMPARATOR;8-BIT MAGNITUDE , LATCHED P&Q;74AS866,DIP28.6,TUBE	80009	156-2028-00
A5U37	156-2028-00		IC,DIGITAL:ASTTL,COMPARATOR;8-BIT MAGNITUDE , LATCHED P&Q;74AS866,DIP28.6,TUBE	80009	156-2028-00
A5U38	156-2028-00		IC,DIGITAL:ASTTL,COMPARATOR;8-BIT MAGNITUDE , LATCHED P&Q;74AS866,DIP28.6,TUBE	80009	156-2028-00
A5U39	156-1664-00		IC,DIGITAL:ALSTTL,FLIP FLOP;OCTAL NONINV D- TYPE, 3-STATE;74ALS574,DIP20.3,TUBE	80009	156-1664-00
A5U40	156-1664-00		IC,DIGITAL:ALSTTL,FLIP FLOP;OCTAL NONINV D- TYPE, 3-STATE;74ALS574,DIP20.3,TUBE	80009	156-1664-00
A5U43	156-1664-00		IC,DIGITAL:ALSTTL,FLIP FLOP;OCTAL NONINV D- TYPE, 3-STATE;74ALS574,DIP20.3,TUBE	80009	156-1664-00
A5U44	156-1664-00		IC,DIGITAL:ALSTTL,FLIP FLOP;OCTAL NONINV D- TYPE, 3-STATE;74ALS574,DIP20.3,TUBE	80009	156-1664-00
A5U45	156-1935-00		IC,DIGITAL:FTTL,COUNTER;SYNCH 4-BIT BINARY; 74F163,DIP16.3,TUBE,SCRN	80009	156-1935-00
A5U46	156-0388-03		IC,DIGITAL:LSTTL,FLIP FLOP;DUPLICATE OF 156 -0388-00;74LS74,DIP14.3,TUBE	80009	156-0388-03
A5U47	156-0784-02		IC,DIGITAL:LSTTL,COUNTER;DUPLICATE OF 156-0 784-00;74LS163,DIP16.3,TUBE	80009	156-0784-02
A5U48	156-0784-02		IC,DIGITAL:LSTTL,COUNTER;DUPLICATE OF 156-0 784-00;74LS163,DIP16.3,TUBE	80009	156-0784-02
A5U49	156-0784-02		IC,DIGITAL:LSTTL,COUNTER;DUPLICATE OF 156-0 784-00;74LS163,DIP16.3,TUBE	80009	156-0784-02
A5U50	160-5901-03		MICROCKT,DGTL:CMOS,EPR0M;64K X 8,250NS;27C5 12,DIP28.6	80009	160-5901-03
	136-0755-00		*MOUNTING PARTS* SOCKET,DIP::PCB,;28 POS,2 X 14,0.1 X 0.6 CT R,0.175 H X 0.13 TAIL,BECU,TIN;,, *END MOUNTING PARTS*	09922	DILB28P-108
A5U51	156-1664-00		IC,DIGITAL:ALSTTL,FLIP FLOP;OCTAL NONINV D- TYPE, 3-STATE;74ALS574,DIP20.3,TUBE	80009	156-1664-00
A5U52	156-2028-00		IC,DIGITAL:ASTTL,COMPARATOR;8-BIT MAGNITUDE , LATCHED P&Q;74AS866,DIP28.6,TUBE	80009	156-2028-00
A5U53	156-2028-00		IC,DIGITAL:ASTTL,COMPARATOR;8-BIT MAGNITUDE , LATCHED P&Q;74AS866,DIP28.6,TUBE	80009	156-2028-00
A5U54	156-1664-00		IC,DIGITAL:ALSTTL,FLIP FLOP;OCTAL NONINV D- TYPE, 3-STATE;74ALS574,DIP20.3,TUBE	80009	156-1664-00
A5U55	156-1664-00		IC,DIGITAL:ALSTTL,FLIP FLOP;OCTAL NONINV D- TYPE, 3-STATE;74ALS574,DIP20.3,TUBE	80009	156-1664-00
A5U56	156-2028-00		IC,DIGITAL:ASTTL,COMPARATOR;8-BIT MAGNITUDE , LATCHED P&Q;74AS866,DIP28.6,TUBE	80009	156-2028-00
A5U57	156-2028-00		IC,DIGITAL:ASTTL,COMPARATOR;8-BIT MAGNITUDE , LATCHED P&Q;74AS866,DIP28.6,TUBE	80009	156-2028-00
A5U58	156-1664-00		IC,DIGITAL:ALSTTL,FLIP FLOP;OCTAL NONINV D- TYPE, 3-STATE;74ALS574,DIP20.3,TUBE	80009	156-1664-00
A5U59	156-1664-00		IC,DIGITAL:ALSTTL,FLIP FLOP;OCTAL NONINV D- TYPE, 3-STATE;74ALS574,DIP20.3,TUBE	80009	156-1664-00
A5U60	156-2517-00		MICROCKT,DGTL:7 X 9 UPPERCASE CHARACTER GEN ERATOR	27014	DM86S64 BWF/N
A5U61	156-1664-00		IC,DIGITAL:ALSTTL,FLIP FLOP;OCTAL NONINV D- TYPE, 3-STATE;74ALS574,DIP20.3,TUBE	80009	156-1664-00
A5U62	156-0530-02		IC,DIGITAL:LSTTL,MUX/ENCODER;DUPLICATE OF 1 56-0530-00;74LS157,DIP16.3,TUBE	80009	156-0530-02

TSG 1001 - REPLACEABLE ELECTRICAL PARTS LIST

Component No.	Tektronix Part No.	Serial/Assembly No. Effective Dscont	Name & Description	Mfr. Code	Mfr. Part No.
A5U63	156-0530-02		IC,DIGITAL:LSTTL,MUX/ENCODER;DUPLICATE OF 156-0530-00;74LS157,DIP16.3,TUBE	80009	156-0530-02
A5U64	156-0530-02		IC,DIGITAL:LSTTL,MUX/ENCODER;DUPLICATE OF 156-0530-00;74LS157,DIP16.3,TUBE	80009	156-0530-02
A5U65	156-0844-02		IC,DIGITAL:LSTTL,COUNTER;DUPLICATE OF 156-0844-00;74LS161,DIP16.3,TUBE	80009	156-0844-02
A5U66	156-0844-02		IC,DIGITAL:LSTTL,COUNTER;DUPLICATE OF 156-0844-00;74LS161,DIP16.3,TUBE	80009	156-0844-02
A5U67	156-0479-02		IC,DIGITAL:LSTTL,GATE;DUPLICATE OF 156-0479-00,DO NOT USE;74LS32,DIP14.3,TUBE	80009	156-0479-02
A5U68	156-3253-00		IC,MEMORY:CMOS,SRAM;2K X 8,55NS;,DIP24.3	80009	156-3253-00
A5U69	156-1111-02		IC,DIGITAL:LSTTL,TRANSCIEVER;DUPLICATE OF 156-1111-00;74LS245,DIP20.3,TUBE	80009	156-1111-02
A5U70	156-2612-00		IC,DIGITAL:ASTTL,FLIP FLOP;OCTAL D-TYPE, IN V, 3-STATE, CLEAR;74AS574,DIP20.3	01295	SN74AS574N
A5U72	156-0480-02		IC,DIGITAL:LSTTL,GATES;DUPLICATE OF 156-0480-00;74LS08,DIP14.3,TUBE	80009	156-0480-02
A5U75	156-1664-00		IC,DIGITAL:ALSTTL,FLIP FLOP;OCTAL NONINV D-TYPE, 3-STATE;74ALS574,DIP20.3,TUBE	80009	156-1664-00
A5U76	156-0402-00		IC,MISC:BIPOLAR,TIMER;;LM555CN,DIP08.3	80009	156-0402-00
A5U77	156-0438-00		IC,DIGITAL:LSTTL,BUFFER;NONINV OCTAL, DRIVE R, 3-STATE;74LS541,DIP20.3,TUBE	01295	SN74LS541PL3
A5U78	156-0438-00		IC,DIGITAL:LSTTL,BUFFER;NONINV OCTAL, DRIVE R, 3-STATE;74LS541,DIP20.3,TUBE	01295	SN74LS541PL3
A5U79	156-0438-00		IC,DIGITAL:LSTTL,BUFFER;NONINV OCTAL, DRIVE R, 3-STATE;74LS541,DIP20.3,TUBE	01295	SN74LS541PL3
A5U80	156-0438-00		IC,DIGITAL:LSTTL,BUFFER;NONINV OCTAL, DRIVE R, 3-STATE;74LS541,DIP20.3,TUBE	01295	SN74LS541PL3
A5U81	156-0438-00		IC,DIGITAL:LSTTL,BUFFER;NONINV OCTAL, DRIVE R, 3-STATE;74LS541,DIP20.3,TUBE	01295	SN74LS541PL3
A5U82	156-0438-00		IC,DIGITAL:LSTTL,BUFFER;NONINV OCTAL, DRIVE R, 3-STATE;74LS541,DIP20.3,TUBE	01295	SN74LS541PL3
A5U83	156-0438-00		IC,DIGITAL:LSTTL,BUFFER;NONINV OCTAL, DRIVE R, 3-STATE;74LS541,DIP20.3,TUBE	01295	SN74LS541PL3
A5U84	156-0438-00		IC,DIGITAL:LSTTL,BUFFER;NONINV OCTAL, DRIVE R, 3-STATE;74LS541,DIP20.3,TUBE	01295	SN74LS541PL3
A5U85	156-0438-00		IC,DIGITAL:LSTTL,BUFFER;NONINV OCTAL, DRIVE R, 3-STATE;74LS541,DIP20.3,TUBE	01295	SN74LS541PL3
A5U86	156-1336-01		IC,PROCESSOR:NMOS,PERIPHERAL;USART;8250B,DI P40.6, *MOUNTING PARTS*	27014	PC8250A
	136-0757-00		SKT,PL-IN ELEK:MICROCIRCUIT,40 DIP *END MOUNTING PARTS*	09922	D1LB40P-108
A5U88	156-0879-01		IC,DIGITAL:TTL,LINE DRIVER;QUAD RS-232;1488 ,DIP14.3,TUBE,SCRN	80009	156-0879-01
A5U89	156-0878-01		IC,DIGITAL:TTL,LINE RECEIVER;QUAD RS-232;1489,DIP14.3,TUBE,SCRN	80009	156-0878-01
A5U91	156-1722-00		IC,DIGITAL:FTTL,GATE;HEX INV;74F04,DIP14.3,TUBE	04713	MC74F04ND
A5U92	156-0479-02		IC,DIGITAL:LSTTL,GATE;DUPLICATE OF 156-0479-00,DO NOT USE;74LS32,DIP14.3,TUBE	80009	156-0479-02
A5U93	160-7330-00		MICROCKT,DGTL:PRGM,156-2250-00,PAL22V10 *MOUNTING PARTS*	80009	160-7330-00
	136-0925-00		SOCKET,DIP:; *END MOUNTING PARTS*	91506	224-AG30D
A5U94	156-0479-02		IC,DIGITAL:LSTTL,GATE;DUPLICATE OF 156-0479-00,DO NOT USE;74LS32,DIP14.3,TUBE	80009	156-0479-02
A5U95	156-1611-00		IC,DIGITAL:FTTL,FLIP FLOP;DUAL D-TYPE;74F74 ,DIP14.3,TUBE	80009	156-1611-00



Component No.	Tektronix Part No.	Serial/Assembly No. Effective	Dscont	Name & Description	Mfr. Code	Mfr. Part No.
A5U96	156-2232-00			IC,DIGITAL:ASTTL,FLIP FLOP;DUAL 4-BIT D POS EDGE TRIG;74AS874,DIP24.3,TUBE	80009	156-2232-00
A5U97	160-7331-01			MICROCKT,DGTL:PROGRAMMABLE ARRAY LOGIC;22V1 0,DIP24,156-2250-01	80009	160-7331-01
	136-0925-00			*MOUNTING PARTS* SOCKET,DIP::	91506	224-AG30D
A5U99	156-0438-00			*END MOUNTING PARTS* IC,DIGITAL:LSTTL,BUFFER;NONINV OCTAL, DRIVE R, 3-STATE;74LS541,DIP20.3,TUBE	01295	SN74LS541PL3
A5U100	156-1664-00			IC,DIGITAL:ALSTTL,FLIP FLOP;OCTAL NONINV D-TYPE, 3-STATE;74ALS574,DIP20.3,TUBE	80009	156-1664-00
A5U101	156-0388-03			IC,DIGITAL:LSTTL,FLIP FLOP;DUPLICATE OF 156-0388-00;74LS74,DIP14.3,TUBE	80009	156-0388-03
A5Y1	119-1828-00			OSC, XTAL CLOCK:6.0 MHZ, +/- 0.01%, TTL, 4 PIN 14 PIN DIP COMPATIBLE	TK0260	K1100AM 6MHZ
A5Y2	158-0271-00			XTAL UNIT,QTZ:3.6864MHZ,700PPM,SERIES,ESR 1 20 OHMS,HC-18/U OR HC-49UPKG	61429	FOX-0368S
	346-0032-00			*MOUNTING PARTS* STRAP,RETAINING:0.075 DIA X 4.0 L,MLD RBR	98159	2829-75-4
				*END MOUNTING PARTS*		
A6	671-1671-02	B010100	B010175	CIRCUIT BD ASSY:DIGITAL OUTPUT	80009	671-1671-02
A6	671-1671-03	B010176	B010231	CIRCUIT BD ASSY:DIGITAL OUTPUT	80009	671-1671-03
A6	671-1671-04	B010232		CIRCUIT BD ASSY:DIGITAL OUT	80009	671-1671-04
A6C218	281-0775-01			CAP,FXD,CER DI:0.1UF,20%,50V	04222	SA105E104MAA
A6C219	281-0775-01			CAP,FXD,CER DI:0.1UF,20%,50V	04222	SA105E104MAA
A6C220	281-0775-01			CAP,FXD,CER DI:0.1UF,20%,50V	04222	SA105E104MAA
A6C223	281-0775-01			CAP,FXD,CER DI:0.1UF,20%,50V	04222	SA105E104MAA
A6C224	281-0775-01			CAP,FXD,CER DI:0.1UF,20%,50V	04222	SA105E104MAA
A6C225	281-0775-01			CAP,FXD,CER DI:0.1UF,20%,50V	04222	SA105E104MAA
A6C226	281-0775-01			CAP,FXD,CER DI:0.1UF,20%,50V	04222	SA105E104MAA
A6C227	281-0775-01			CAP,FXD,CER DI:0.1UF,20%,50V	04222	SA105E104MAA
A6C228	281-0775-01			CAP,FXD,CER DI:0.1UF,20%,50V	04222	SA105E104MAA
A6C229	281-0775-01			CAP,FXD,CER DI:0.1UF,20%,50V	04222	SA105E104MAA
A6C230	281-0775-01			CAP,FXD,CER DI:0.1UF,20%,50V	04222	SA105E104MAA
A6C231	281-0775-01			CAP,FXD,CER DI:0.1UF,20%,50V	04222	SA105E104MAA
A6C232	281-0775-01			CAP,FXD,CER DI:0.1UF,20%,50V	04222	SA105E104MAA
A6C235	281-0775-01			CAP,FXD,CER DI:0.1UF,20%,50V	04222	SA105E104MAA
A6C239	281-0775-01			CAP,FXD,CER DI:0.1UF,20%,50V	04222	SA105E104MAA
A6C240	290-0974-00			CAP,FXD,ELCTLT:10UF,20%,50VDC	55680	UVX1H100MAA
A6C241	290-0974-00			CAP,FXD,ELCTLT:10UF,20%,50VDC	55680	UVX1H100MAA
A6DL1	119-1380-00			DELAY LINE,ELEC:10NS,100 OHM,TAPPED,7 SIP	80009	119-1380-00
A6DL2	119-1380-00			DELAY LINE,ELEC:10NS,100 OHM,TAPPED,7 SIP	80009	119-1380-00
A6J43	131-3362-00			CONN,HDR:	80009	131-3362-00
A6J44	131-3362-00			CONN,HDR:	80009	131-3362-00
A6J45	131-3362-00			CONN,HDR:	80009	131-3362-00
A6J46	131-3364-00			CONN,HDR:	80009	131-3364-00
A6J47	131-3323-00			CONN,HDR:	22526	66506-025
A6J48	131-0608-00			TERMINAL,PIN:0.365 L X 0.025 BRZ GLD PL (QUANTITY 5)	80009	131-0608-00
A6J49	131-0608-00			TERMINAL,PIN:0.365 L X 0.025 BRZ GLD PL (QUANTITY 5)	80009	131-0608-00
A6J50	131-0608-00			TERMINAL,PIN:0.365 L X 0.025 BRZ GLD PL (QUANTITY 5)	80009	131-0608-00
A6J51	131-0608-00			TERMINAL,PIN:0.365 L X 0.025 BRZ GLD PL (QUANTITY 5)	80009	131-0608-00
A6P50	131-0993-02			BUS,CONDUCTOR:SHUNT ASSEMBLY,RED	00779	1-850100-0
A6P51	131-0993-02			BUS,CONDUCTOR:SHUNT ASSEMBLY,RED	00779	1-850100-0
A6R276	322-3085-00			RES,FXD,FILM:75 OHM,1%,0.2W,TC=TO	57668	CRB20 FXE 75E0
A6R277	322-3085-00			RES,FXD,FILM:75 OHM,1%,0.2W,TC=TO	57668	CRB20 FXE 75E0
A6R278	322-3085-00			RES,FXD,FILM:75 OHM,1%,0.2W,TC=TO	57668	CRB20 FXE 75E0

TSG 1001 - REPLACEABLE ELECTRICAL PARTS LIST

Component No.	Tektronix Part No.	Serial/Assembly No. Effective	Discnt	Name & Description	Mfr. Code	Mfr. Part No.
A6R332	307-0841-00			RES NTWK, FXD, FI: (4)10 OHM, 10%, 0.3W	91637	CSC08A-03-100G
A6R366	307-0546-00			RES NTWK, FXD, FI: 5,750HM, 5%, 0.15 W	80009	307-0546-00
A6R374	307-0841-00			RES NTWK, FXD, FI: (4)10 OHM, 10%, 0.3W	91637	CSC08A-03-100G
A6R375	307-0841-00			RES NTWK, FXD, FI: (4)10 OHM, 10%, 0.3W	91637	CSC08A-03-100G
A6R376	307-0841-00			RES NTWK, FXD, FI: (4)10 OHM, 10%, 0.3W	91637	CSC08A-03-100G
A6R377	307-0841-00			RES NTWK, FXD, FI: (4)10 OHM, 10%, 0.3W	91637	CSC08A-03-100G
A6R378	307-0841-00			RES NTWK, FXD, FI: (4)10 OHM, 10%, 0.3W	91637	CSC08A-03-100G
A6R379	307-0841-00			RES NTWK, FXD, FI: (4)10 OHM, 10%, 0.3W	91637	CSC08A-03-100G
A6R380	307-0841-00			RES NTWK, FXD, FI: (4)10 OHM, 10%, 0.3W	91637	CSC08A-03-100G
A6R381	307-0841-00			RES NTWK, FXD, FI: (4)10 OHM, 10%, 0.3W	91637	CSC08A-03-100G
A6R382	307-0841-00			RES NTWK, FXD, FI: (4)10 OHM, 10%, 0.3W	91637	CSC08A-03-100G
A6R383	307-0841-00			RES NTWK, FXD, FI: (4)10 OHM, 10%, 0.3W	91637	CSC08A-03-100G
A6R384	307-0841-00			RES NTWK, FXD, FI: (4)10 OHM, 10%, 0.3W	91637	CSC08A-03-100G
A6R385	307-0841-00			RES NTWK, FXD, FI: (4)10 OHM, 10%, 0.3W	91637	CSC08A-03-100G
A6R386	307-0841-00			RES NTWK, FXD, FI: (4)10 OHM, 10%, 0.3W	91637	CSC08A-03-100G
A6R387	307-0841-00			RES NTWK, FXD, FI: (4)10 OHM, 10%, 0.3W	91637	CSC08A-03-100G
A6R388	307-0841-00			RES NTWK, FXD, FI: (4)10 OHM, 10%, 0.3W	91637	CSC08A-03-100G
A6R390	307-0841-00			RES NTWK, FXD, FI: (4)10 OHM, 10%, 0.3W	91637	CSC08A-03-100G
A6R391	307-0546-00			RES NTWK, FXD, FI: 5,750HM, 5%, 0.15 W	80009	307-0546-00
A6R392	307-0546-00			RES NTWK, FXD, FI: 5,750HM, 5%, 0.15 W	80009	307-0546-00
A6R393	307-0546-00			RES NTWK, FXD, FI: 5,750HM, 5%, 0.15 W	80009	307-0546-00
A6R394	307-0546-00			RES NTWK, FXD, FI: 5,750HM, 5%, 0.15 W	80009	307-0546-00
A6R395	307-0546-00			RES NTWK, FXD, FI: 5,750HM, 5%, 0.15 W	80009	307-0546-00
A6R396	307-0546-00			RES NTWK, FXD, FI: 5,750HM, 5%, 0.15 W	80009	307-0546-00
A6R397	322-3097-00			RES, FXD, FILM: 100 OHM, 1%, 0.2W, TC=TO	57668	CRB20 FXE 100E
A6R398	322-3097-00			RES, FXD, FILM: 100 OHM, 1%, 0.2W, TC=TO	57668	CRB20 FXE 100E
A6R399	322-3154-00			RES, FXD, FILM: 392 OHM, 1%, 0.2W, TC=TO	57668	RB20FX392E
A6R400	322-3154-00			RES, FXD, FILM: 392 OHM, 1%, 0.2W, TC=TO	57668	RB20FX392E
A6R401	322-3154-00			RES, FXD, FILM: 392 OHM, 1%, 0.2W, TC=TO	57668	RB20FX392E
A6R402	322-3154-00			RES, FXD, FILM: 392 OHM, 1%, 0.2W, TC=TO	57668	RB20FX392E
A6R403	322-3154-00			RES, FXD, FILM: 392 OHM, 1%, 0.2W, TC=TO	57668	RB20FX392E
A6R404	322-3154-00			RES, FXD, FILM: 392 OHM, 1%, 0.2W, TC=TO	57668	RB20FX392E
A6R405	307-1579-00			RES NTWK, FXD, FI:	80009	307-1579-00
A6R406	307-1579-00			RES NTWK, FXD, FI:	80009	307-1579-00
A6R407	307-1579-00			RES NTWK, FXD, FI:	80009	307-1579-00
A6R408	307-1579-00			RES NTWK, FXD, FI:	80009	307-1579-00
A6R409	307-1579-00			RES NTWK, FXD, FI:	80009	307-1579-00
A6R410	307-1579-00			RES NTWK, FXD, FI:	80009	307-1579-00
A6R411	307-1579-00			RES NTWK, FXD, FI:	80009	307-1579-00
A6R412	307-1579-00			RES NTWK, FXD, FI:	80009	307-1579-00
A6R413	307-1579-00			RES NTWK, FXD, FI:	80009	307-1579-00
A6R414	307-1579-00			RES NTWK, FXD, FI:	80009	307-1579-00
A6R415	307-1579-00			RES NTWK, FXD, FI:	80009	307-1579-00
A6R416	307-1579-00			RES NTWK, FXD, FI:	80009	307-1579-00
A6U53	156-0230-02	671-1671-02	671-1671-02	IC, DIGITAL: ECL, FLIP FLOP; DUAL D-TYPE MASTER SLAVE; 10131, DIP16.3, TUBE, SCR, CER PACK	80009	156-0230-02
A6U53	156-1639-00	671-1671-03		IC, DIGITAL: ECL, FLIP FLOP; DUAL MASTER-SLAVE; 10H131, DIP16.3	80009	156-1639-00
A6U54	156-0230-02	671-1671-02	671-1671-02	IC, DIGITAL: ECL, FLIP FLOP; DUAL D-TYPE MASTER SLAVE; 10131, DIP16.3, TUBE, SCR, CER PACK	80009	156-0230-02
A6U54	156-1639-00	671-1671-03		IC, DIGITAL: ECL, FLIP FLOP; DUAL MASTER-SLAVE; 10H131, DIP16.3	80009	156-1639-00
A6U55	156-0230-02	671-1671-02	671-1671-02	IC, DIGITAL: ECL, FLIP FLOP; DUAL D-TYPE MASTER SLAVE; 10131, DIP16.3, TUBE, SCR, CER PACK	80009	156-0230-02
A6U55	156-1639-00	671-1671-03		IC, DIGITAL: ECL, FLIP FLOP; DUAL MASTER-SLAVE; 10H131, DIP16.3	80009	156-1639-00
A6U56	156-0230-02	671-1671-02	671-1671-02	IC, DIGITAL: ECL, FLIP FLOP; DUAL D-TYPE MASTER SLAVE; 10131, DIP16.3, TUBE, SCR, CER PACK	80009	156-0230-02

## TSG 1001 - REPLACEABLE ELECTRICAL PARTS LIST

Component No.	Tektronix Part No.	Serial/Assembly No. Effective	Discnt	Name & Description	Mfr. Code	Mfr. Part No.
A6U56	156-1639-00	671-1671-03		IC,DIGITAL:ECL,FLIP FLOP;DUAL MASTER-SLAVE; 10H131,DIP16.3	80009	156-1639-00
A6U57	156-0230-02	671-1671-02	671-1671-02	IC,DIGITAL:ECL,FLIP FLOP;DUAL D-TYPE MASTER SLAVE;10131,DIP16.3,TUBE,SCRN,CER PACK	80009	156-0230-02
A6U57	156-1639-00	671-1671-03		IC,DIGITAL:ECL,FLIP FLOP;DUAL MASTER-SLAVE; 10H131,DIP16.3	80009	156-1639-00
A6U58	156-0230-02	671-1671-02	671-1671-02	IC,DIGITAL:ECL,FLIP FLOP;DUAL D-TYPE MASTER SLAVE;10131,DIP16.3,TUBE,SCRN,CER PACK	80009	156-0230-02
A6U58	156-1639-00	671-1671-03		IC,DIGITAL:ECL,FLIP FLOP;DUAL MASTER-SLAVE; 10H131,DIP16.3	80009	156-1639-00
A6U59	156-0230-02	671-1671-02	671-1671-02	IC,DIGITAL:ECL,FLIP FLOP;DUAL D-TYPE MASTER SLAVE;10131,DIP16.3,TUBE,SCRN,CER PACK	80009	156-0230-02
A6U59	156-1639-00	671-1671-03		IC,DIGITAL:ECL,FLIP FLOP;DUAL MASTER-SLAVE; 10H131,DIP16.3	80009	156-1639-00
A6U60	156-0230-02	671-1671-02	671-1671-02	IC,DIGITAL:ECL,FLIP FLOP;DUAL D-TYPE MASTER SLAVE;10131,DIP16.3,TUBE,SCRN,CER PACK	80009	156-0230-02
A6U60	156-1639-00	671-1671-03		IC,DIGITAL:ECL,FLIP FLOP;DUAL MASTER-SLAVE; 10H131,DIP16.3	80009	156-1639-00
A6U61	156-0230-02	671-1671-02	671-1671-02	IC,DIGITAL:ECL,FLIP FLOP;DUAL D-TYPE MASTER SLAVE;10131,DIP16.3,TUBE,SCRN,CER PACK	80009	156-0230-02
A6U61	156-1639-00	671-1671-03		IC,DIGITAL:ECL,FLIP FLOP;DUAL MASTER-SLAVE; 10H131,DIP16.3	80009	156-1639-00
A6U62	156-0230-02	671-1671-02	671-1671-02	IC,DIGITAL:ECL,FLIP FLOP;DUAL D-TYPE MASTER SLAVE;10131,DIP16.3,TUBE,SCRN,CER PACK	80009	156-0230-02
A6U62	156-1639-00	671-1671-03		IC,DIGITAL:ECL,FLIP FLOP;DUAL MASTER-SLAVE; 10H131,DIP16.3	80009	156-1639-00
A6U63	156-0230-02	671-1671-02	671-1671-02	IC,DIGITAL:ECL,FLIP FLOP;DUAL D-TYPE MASTER SLAVE;10131,DIP16.3,TUBE,SCRN,CER PACK	80009	156-0230-02
A6U63	156-1639-00	671-1671-03		IC,DIGITAL:ECL,FLIP FLOP;DUAL MASTER-SLAVE; 10H131,DIP16.3	80009	156-1639-00
A6U64	156-0230-02	671-1671-02	671-1671-02	IC,DIGITAL:ECL,FLIP FLOP;DUAL D-TYPE MASTER SLAVE;10131,DIP16.3,TUBE,SCRN,CER PACK	80009	156-0230-02
A6U64	156-1639-00	671-1671-03		IC,DIGITAL:ECL,FLIP FLOP;DUAL MASTER-SLAVE; 10H131,DIP16.3	80009	156-1639-00
A6U65	156-0230-02	671-1671-02	671-1671-02	IC,DIGITAL:ECL,FLIP FLOP;DUAL D-TYPE MASTER SLAVE;10131,DIP16.3,TUBE,SCRN,CER PACK	80009	156-0230-02
A6U65	156-1639-00	671-1671-03		IC,DIGITAL:ECL,FLIP FLOP;DUAL MASTER-SLAVE; 10H131,DIP16.3	80009	156-1639-00
A6U66	156-0230-02	671-1671-02	671-1671-02	IC,DIGITAL:ECL,FLIP FLOP;DUAL D-TYPE MASTER SLAVE;10131,DIP16.3,TUBE,SCRN,CER PACK	80009	156-0230-02
A6U66	156-1639-00	671-1671-03		IC,DIGITAL:ECL,FLIP FLOP;DUAL MASTER-SLAVE; 10H131,DIP16.3	80009	156-1639-00
A6U67	156-0230-02	671-1671-02	671-1671-02	IC,DIGITAL:ECL,FLIP FLOP;DUAL D-TYPE MASTER SLAVE;10131,DIP16.3,TUBE,SCRN,CER PACK	80009	156-0230-02
A6U67	156-1639-00	671-1671-03		IC,DIGITAL:ECL,FLIP FLOP;DUAL MASTER-SLAVE; 10H131,DIP16.3	80009	156-1639-00
A6U69	156-2114-00			IC,DIGITAL:ECL,RECEIVER;QUAD LINE;10H115,DI P16.3,TUBE	80009	156-2114-00
A6U75	156-1640-00			IC,DIGITAL:ECL,RECEIVER;TRIPLE LINE;10H116, DIP16.3,TUBE	80009	156-1640-00
A6U76	156-1640-00			IC,DIGITAL:ECL,RECEIVER;TRIPLE LINE;10H116, DIP16.3,TUBE	80009	156-1640-00
A7	671-1672-02	B010100	B010116	CIRCUIT BD ASSY:PEDESTAL	80009	671-1672-02
A7	671-1672-03	B010117		CIRCUIT BD ASSY:PEDESTAL	80009	671-1672-03
A7C9	281-0775-01			CAP,FXD,CER DI:0.1UF,20%,50V	04222	SA105E104MAA
A7C10	283-0059-00			CAP,FXD,CER DI:1UF,+80-20%,50V	04222	SR305C105MAA
A7C11	283-0633-00			CAP,FXD,MICA DI:77PF,1%,100V	80009	283-0633-00
A7C12	283-0663-00			CAP,FXD,MICA DI:16.8PF,+/-0.5PF,500V	80009	283-0663-00
A7C13	281-0775-01			CAP,FXD,CER DI:0.1UF,20%,50V	04222	SA105E104MAA
A7C14	281-0775-01			CAP,FXD,CER DI:0.1UF,20%,50V	04222	SA105E104MAA

TSG 1001 - REPLACEABLE ELECTRICAL PARTS LIST

Component No.	Tektronix Part No.	Serial/Assembly No. Effective Dscnt	Name & Description	Mfr. Code	Mfr. Part No.
A7C15	281-0775-01		CAP, FXD, CER DI:0.1UF, 20%, 50V	04222	SA105E104MAA
A7C22	290-0974-00		CAP, FXD, ELCTLT:10UF, 20%, 50VDC	55680	UVX1H100MAA
A7C23	290-0974-00		CAP, FXD, ELCTLT:10UF, 20%, 50VDC	55680	UVX1H100MAA
A7C170	290-0943-00		CAP, FXD, ELCTLT:47UF, +50-20%, 25V	55680	UVX1V470MPA
A7C171	283-0059-00		CAP, FXD, CER DI:1UF, +80-20%, 50V	04222	SR305C105MAA
A7C172	283-0633-00		CAP, FXD, MICA DI:77PF, 1%, 100V	80009	283-0633-00
A7C173	283-0663-00		CAP, FXD, MICA DI:16.8PF, +/-0.5PF, 500V	80009	283-0663-00
A7C174	281-0775-01		CAP, FXD, CER DI:0.1UF, 20%, 50V	04222	SA105E104MAA
A7C175	281-0775-01		CAP, FXD, CER DI:0.1UF, 20%, 50V	04222	SA105E104MAA
A7C176	281-0775-01		CAP, FXD, CER DI:0.1UF, 20%, 50V	04222	SA105E104MAA
A7C183	290-0974-00		CAP, FXD, ELCTLT:10UF, 20%, 50VDC	55680	UVX1H100MAA
A7C184	290-0974-00		CAP, FXD, ELCTLT:10UF, 20%, 50VDC	55680	UVX1H100MAA
A7C193	281-0775-01		CAP, FXD, CER DI:0.1UF, 20%, 50V	04222	SA105E104MAA
A7C194	283-0059-00		CAP, FXD, CER DI:1UF, +80-20%, 50V	04222	SR305C105MAA
A7C195	283-0633-00		CAP, FXD, MICA DI:77PF, 1%, 100V	80009	283-0633-00
A7C196	283-0663-00		CAP, FXD, MICA DI:16.8PF, +/-0.5PF, 500V	80009	283-0663-00
A7C197	281-0775-01		CAP, FXD, CER DI:0.1UF, 20%, 50V	04222	SA105E104MAA
A7C198	281-0775-01		CAP, FXD, CER DI:0.1UF, 20%, 50V	04222	SA105E104MAA
A7C199	281-0775-01		CAP, FXD, CER DI:0.1UF, 20%, 50V	04222	SA105E104MAA
A7C206	290-0974-00		CAP, FXD, ELCTLT:10UF, 20%, 50VDC	55680	UVX1H100MAA
A7C207	290-0974-00		CAP, FXD, ELCTLT:10UF, 20%, 50VDC	55680	UVX1H100MAA
A7C208	281-0775-01		CAP, FXD, CER DI:0.1UF, 20%, 50V	04222	SA105E104MAA
A7C209	281-0775-01		CAP, FXD, CER DI:0.1UF, 20%, 50V	04222	SA105E104MAA
A7C210	281-0775-01		CAP, FXD, CER DI:0.1UF, 20%, 50V	04222	SA105E104MAA
A7C211	281-0775-01		CAP, FXD, CER DI:0.1UF, 20%, 50V	04222	SA105E104MAA
A7C213	283-0642-00		CAP, FXD, MICA DI:33PF, +/-0.5PF, 500V	00853	D105E330G0
A7C214	281-0775-01		CAP, FXD, CER DI:0.1UF, 20%, 50V	04222	SA105E104MAA
A7C215	281-0775-01		CAP, FXD, CER DI:0.1UF, 20%, 50V	04222	SA105E104MAA
A7C216	281-0775-01		CAP, FXD, CER DI:0.1UF, 20%, 50V	04222	SA105E104MAA
A7C217	281-0775-01		CAP, FXD, CER DI:0.1UF, 20%, 50V	04222	SA105E104MAA
A7C218	281-0775-01		CAP, FXD, CER DI:0.1UF, 20%, 50V	04222	SA105E104MAA
A7C219	281-0775-01		CAP, FXD, CER DI:0.1UF, 20%, 50V	04222	SA105E104MAA
A7C220	281-0775-01		CAP, FXD, CER DI:0.1UF, 20%, 50V	04222	SA105E104MAA
A7C221	283-0642-00		CAP, FXD, MICA DI:33PF, +/-0.5PF, 500V	00853	D105E330G0
A7C222	281-0775-01		CAP, FXD, CER DI:0.1UF, 20%, 50V	04222	SA105E104MAA
A7C223	281-0775-01		CAP, FXD, CER DI:0.1UF, 20%, 50V	04222	SA105E104MAA
A7C224	281-0775-01		CAP, FXD, CER DI:0.1UF, 20%, 50V	04222	SA105E104MAA
A7C225	290-0974-00		CAP, FXD, ELCTLT:10UF, 20%, 50VDC	55680	UVX1H100MAA
A7C226	290-0974-00		CAP, FXD, ELCTLT:10UF, 20%, 50VDC	55680	UVX1H100MAA
A7C227	290-0974-00		CAP, FXD, ELCTLT:10UF, 20%, 50VDC	55680	UVX1H100MAA
A7C228	290-0974-00		CAP, FXD, ELCTLT:10UF, 20%, 50VDC	55680	UVX1H100MAA
A7C229	290-0974-00		CAP, FXD, ELCTLT:10UF, 20%, 50VDC	55680	UVX1H100MAA
A7C230	281-0775-01		CAP, FXD, CER DI:0.1UF, 20%, 50V	04222	SA105E104MAA
A7C231	281-0775-01	671-1672-03	CAP, FXD, CER DI:0.1UF, 20%, 50V	04222	SA105E104MAA
A7C232	281-0775-01	671-1672-03	CAP, FXD, CER DI:0.1UF, 20%, 50V	04222	SA105E104MAA
A7C233	281-0775-01	671-1672-03	CAP, FXD, CER DI:0.1UF, 20%, 50V	04222	SA105E104MAA
A7J1	131-0608-00		TERMINAL, PIN:0.365 L X 0.025 BRZ GLD PL (QUANTITY 2)	80009	131-0608-00
A7J2	131-0608-00		TERMINAL, PIN:0.365 L X 0.025 BRZ GLD PL (QUANTITY 20)	80009	131-0608-00
A7J3	131-3364-00		CONN, HDR:	80009	131-3364-00
A7L10	108-0056-00		COIL, RF:FIXED, 1.06UH	80009	108-0056-00
A7L33	108-0056-00		COIL, RF:FIXED, 1.06UH	80009	108-0056-00
A7L43	108-0056-00		COIL, RF:FIXED, 1.06UH	80009	108-0056-00
A7P1	174-2328-00	671-1672-02	CA ASSY, SP, ELEC:26 AWG, 1.5 L	80009	174-2328-00
A7P1	131-5154-00	671-1672-03	CONN, BOX::	27264	22-17-3032
A7P2	174-2328-00	671-1672-02	CA ASSY, SP, ELEC:26 AWG, 1.5 L	80009	174-2328-00
A7P2	131-5154-00	671-1672-03	CONN, BOX::	27264	22-17-3032
A7P3	174-2328-00	671-1672-02	CA ASSY, SP, ELEC:26 AWG, 1.5 L	80009	174-2328-00

Component No.	Tektronix Part No.	Serial/Assembly No. Effective Dscnt	Name & Description	Mfr. Code	Mfr. Part No.
A7P3	131-5154-00	671-1672-03	CONN,BOX::	27264	22-17-3032
A7P4	174-2328-00	671-1672-02	CA ASSY,SP,ELEC:26 AWG,1.5 L	80009	174-2328-00
A7P4	131-5154-00	671-1672-03	CONN,BOX::	27264	22-17-3032
A7R1	322-3258-00		RES,FXD,FILM:4.75K OHM,1%,0.2W,TC=TO	80009	322-3258-00
A7R2	322-3261-00		RES,FXD,FILM:5.11K OHM,1%,0.2W,TC=TO	80009	322-3261-00
A7R4	322-3114-00		RES,FXD,FILM:150 OHM,1%,0.2W,TC=TO	91637	CCF50-2-G1500F
A7R5	322-3130-00		RES,FXD,FILM:221 OHM,1%,0.2W,TC=TO	80009	322-3130-00
A7R6	322-3181-00		RES,FXD,FILM:750 OHM,1%,0.2W,TC=TO	80009	322-3181-00
A7R7	322-3214-00		RES,FXD,FILM:1.65K OHM,1%,0.2W,TC=TO	80009	322-3214-00
A7R9	322-3126-01		RES,FXD,FILM:200 OHM,0.5%,0.2W,TC=TO	91637	CCF501G200R0D
A7R10	311-1944-00		RES,VAR,NONW:TRMR,1K OHM,10%,0.5W	02111	64W102T611
A7R18	322-3001-00		RES,FXD,FILM:10 OHM,1%,0.2W,TC=TO	80009	322-3001-00
A7R19	322-3001-00		RES,FXD,FILM:10 OHM,1%,0.2W,TC=TO	80009	322-3001-00
A7R199	322-3258-00		RES,FXD,FILM:4.75K OHM,1%,0.2W,TC=TO	80009	322-3258-00
A7R200	322-3261-00		RES,FXD,FILM:5.11K OHM,1%,0.2W,TC=TO	80009	322-3261-00
A7R202	322-3114-00		RES,FXD,FILM:150 OHM,1%,0.2W,TC=TO	91637	CCF50-2-G1500F
A7R203	322-3130-00		RES,FXD,FILM:221 OHM,1%,0.2W,TC=TO	80009	322-3130-00
A7R204	322-3181-00		RES,FXD,FILM:750 OHM,1%,0.2W,TC=TO	80009	322-3181-00
A7R205	322-3214-00		RES,FXD,FILM:1.65K OHM,1%,0.2W,TC=TO	80009	322-3214-00
A7R207	322-3126-01		RES,FXD,FILM:200 OHM,0.5%,0.2W,TC=TO	91637	CCF501G200R0D
A7R208	311-1944-00		RES,VAR,NONW:TRMR,1K OHM,10%,0.5W	02111	64W102T611
A7R216	322-3001-00		RES,FXD,FILM:10 OHM,1%,0.2W,TC=TO	80009	322-3001-00
A7R217	322-3001-00		RES,FXD,FILM:10 OHM,1%,0.2W,TC=TO	80009	322-3001-00
A7R218	322-3258-00		RES,FXD,FILM:4.75K OHM,1%,0.2W,TC=TO	80009	322-3258-00
A7R219	322-3261-00		RES,FXD,FILM:5.11K OHM,1%,0.2W,TC=TO	80009	322-3261-00
A7R221	322-3114-00		RES,FXD,FILM:150 OHM,1%,0.2W,TC=TO	91637	CCF50-2-G1500F
A7R222	322-3130-00		RES,FXD,FILM:221 OHM,1%,0.2W,TC=TO	80009	322-3130-00
A7R223	322-3181-00		RES,FXD,FILM:750 OHM,1%,0.2W,TC=TO	80009	322-3181-00
A7R224	322-3214-00		RES,FXD,FILM:1.65K OHM,1%,0.2W,TC=TO	80009	322-3214-00
A7R226	322-3126-01		RES,FXD,FILM:200 OHM,0.5%,0.2W,TC=TO	91637	CCF501G200R0D
A7R227	311-1944-00		RES,VAR,NONW:TRMR,1K OHM,10%,0.5W	02111	64W102T611
A7R235	322-3001-00		RES,FXD,FILM:10 OHM,1%,0.2W,TC=TO	80009	322-3001-00
A7R236	322-3001-00		RES,FXD,FILM:10 OHM,1%,0.2W,TC=TO	80009	322-3001-00
A7R237	322-3202-00		RES,FXD,FILM:1.24K OHM,1%,0.2W,TC=TO	80009	322-3202-00
A7R238	322-3202-00		RES,FXD,FILM:1.24K OHM,1%,0.2W,TC=TO	80009	322-3202-00
A7R239	322-3202-00		RES,FXD,FILM:1.24K OHM,1%,0.2W,TC=TO	80009	322-3202-00
A7R240	322-3231-00		RES,FXD,FILM:2.49K OHM,1%,0.2W,TC=TO	80009	322-3231-00
A7R241	322-3300-02		RES,FXD,FILM:13K OHM,0.5%,0.2W,TC=T2	57668	CRB20 DYE 13K0
A7R242	322-3453-00		RES,FXD,FILM:511K OHM,1%,0.2W,TC=TO	91637	CCF50-2F51102F
A7R243	322-3239-00		RES,FXD,FILM:3.01K OHM,1%,0.2W,TC=TO	57668	CRB20 FXE 3K01
A7R244	322-3330-00		RES,FXD,FILM:26.7K OHM,1%,0.2W,TC=TO	80009	322-3330-00
A7R245	322-3289-00		RES,FXD,FILM:10K OHM,1%,0.2W,TC=TO	80009	322-3289-00
A7R246	322-3047-00		RES,FXD,FILM:30.1 OHM,1%,0.2W,TC=TO	57668	CRB20FXE16K5
A7R247	322-3117-00		RES,FXD,FILM:162 OHM,1%,0.2W,TC=TO	80009	322-3117-00
A7R248	322-3117-00		RES,FXD,FILM:162 OHM,1%,0.2W,TC=TO	80009	322-3117-00
A7R249	322-3047-00		RES,FXD,FILM:30.1 OHM,1%,0.2W,TC=TO	57668	CRB20FXE16K5
A7R251	322-3117-00		RES,FXD,FILM:162 OHM,1%,0.2W,TC=TO	80009	322-3117-00
A7R252	322-3085-00	671-1672-02	RES,FXD,FILM:75 OHM,1%,0.2W,TC=TO	57668	CRB20 FXE 75E0
A7R252	322-3047-00	671-1672-03	RES,FXD,FILM:30.1 OHM,1%,0.2W,TC=TO	57668	CRB20FXE16K5
A7R253	322-3202-00		RES,FXD,FILM:1.24K OHM,1%,0.2W,TC=TO	80009	322-3202-00
A7R254	322-3202-00		RES,FXD,FILM:1.24K OHM,1%,0.2W,TC=TO	80009	322-3202-00
A7R255	322-3199-00		RES,FXD,FILM:1.15K OHM,1%,0.2W,TC=TO	80009	322-3199-00
A7R257	322-3289-00		RES,FXD,FILM:10K OHM,1%,0.2W,TC=TO	80009	322-3289-00
A7R258	322-3097-00		RES,FXD,FILM:100 OHM,1%,0.2W,TC=TO	57668	CRB20 FXE 100E
A7R259	311-1036-00		RES,VAR,NONW:TRMR,200 OHM,0.5W	80009	311-1036-00
A7TP1	214-4085-00		TERM,TEST POINT:0.070 ID,0.220 H,0.063 DIA PCB,0.015 X 0.032 BRASS,W/ RED NYLON COLLAR	26364	104-01-02
A7TP2	214-4085-00		TERM,TEST POINT:0.070 ID,0.220 H,0.063 DIA PCB,0.015 X 0.032 BRASS,W/ RED NYLON COLLAR	26364	104-01-02

TSG 1001 - REPLACEABLE ELECTRICAL PARTS LIST

Component No.	Tektronix Part No.	Serial/Assembly No. Effective	Discnt	Name & Description	Mfr. Code	Mfr. Part No.
A7TP3	214-4085-00			TERM, TEST POINT: 0.070 ID, 0.220 H, 0.063 DIA PCB, 0.015 X 0.032 BRASS, W/ RED NYLON COLLAR	26364	104-01-02
A7TP4	214-4085-00			TERM, TEST POINT: 0.070 ID, 0.220 H, 0.063 DIA PCB, 0.015 X 0.032 BRASS, W/ RED NYLON COLLAR	26364	104-01-02
A7TP5	214-4085-00			TERM, TEST POINT: 0.070 ID, 0.220 H, 0.063 DIA PCB, 0.015 X 0.032 BRASS, W/ RED NYLON COLLAR	26364	104-01-02
A7TP6	214-4085-00			TERM, TEST POINT: 0.070 ID, 0.220 H, 0.063 DIA PCB, 0.015 X 0.032 BRASS, W/ RED NYLON COLLAR	26364	104-01-02
A7U2	156-0385-02			IC, DIGITAL: LSTTL, GATES; DUPLICATE OF 156-0385-00; 74LS04, DIP14.3, TUBE	80009	156-0385-02
A7U3	156-1664-00			IC, DIGITAL: ALSTTL, FLIP FLOP; OCTAL NONINV D-TYPE, 3-STATE; 74ALS574, DIP20.3, TUBE	80009	156-1664-00
A7U4	156-1664-00			IC, DIGITAL: ALSTTL, FLIP FLOP; OCTAL NONINV D-TYPE, 3-STATE; 74ALS574, DIP20.3, TUBE	80009	156-1664-00
A7U5	156-3432-00			IC, LINEAR: BIPOLAR, OP-AMP; CURRENT FEEDBACK, 200MHZ; CLC400AJP, DIP08.3	80009	156-3432-00
	136-0727-00			*MOUNTING PARTS*		
A7U37	156-1664-00			SKT, PL-IN ELEK: MICROCKT, 8 CONTACT	09922	D1LB8P-108
				*END MOUNTING PARTS*		
A7U38	156-1664-00			IC, DIGITAL: ALSTTL, FLIP FLOP; OCTAL NONINV D-TYPE, 3-STATE; 74ALS574, DIP20.3, TUBE	80009	156-1664-00
A7U39	156-3432-00			IC, LINEAR: BIPOLAR, OP-AMP; CURRENT FEEDBACK, 200MHZ; CLC400AJP, DIP08.3	80009	156-3432-00
	136-0727-00			*MOUNTING PARTS*		
A7U41	156-1664-00			SKT, PL-IN ELEK: MICROCKT, 8 CONTACT	09922	D1LB8P-108
				*END MOUNTING PARTS*		
A7U42	156-1664-00			IC, DIGITAL: ALSTTL, FLIP FLOP; OCTAL NONINV D-TYPE, 3-STATE; 74ALS574, DIP20.3, TUBE	80009	156-1664-00
A7U43	156-3432-00			IC, LINEAR: BIPOLAR, OP-AMP; CURRENT FEEDBACK, 200MHZ; CLC400AJP, DIP08.3	80009	156-3432-00
	136-0727-00			*MOUNTING PARTS*		
A7U44	156-1664-00			SKT, PL-IN ELEK: MICROCKT, 8 CONTACT	09922	D1LB8P-108
				*END MOUNTING PARTS*		
A7U45	156-1255-00			IC, DIGITAL: ALSTTL, FLIP FLOP; OCTAL NONINV D-TYPE, 3-STATE; 74ALS574, DIP20.3, TUBE	80009	156-1664-00
A7U46	156-1850-00			IC, CONVERTER: BIPOLAR, D/A; 8 BIT, 85NS, CURRENT OUT, MULTIPLYING; DAC08HP, DIP16.3	80009	156-1255-00
A7U47	156-1699-00			IC, MISC: CMOS, ANALOG SWITCH; QUAD; DG211, DIP16.3	17856	SDG21107
A7U48	156-1664-00			MICROCKT, LINEAR: DUAL BI-FET, OPNL AMPL	01295	TL288CP
				IC, DIGITAL: ALSTTL, FLIP FLOP; OCTAL NONINV D-TYPE, 3-STATE; 74ALS574, DIP20.3, TUBE	80009	156-1664-00
A7U50	156-2860-00			MICROCKT, DGTL: CMOS, DA CONVERTER, 8 BIT, 25MHZ, VIDEO COMPATIBLE	80009	156-2860-00
A7U51	156-2860-00			MICROCKT, DGTL: CMOS, DA CONVERTER, 8 BIT, 25MHZ, VIDEO COMPATIBLE	80009	156-2860-00
A7U52	156-2860-00			MICROCKT, DGTL: CMOS, DA CONVERTER, 8 BIT, 25MHZ, VIDEO COMPATIBLE	80009	156-2860-00
A7U53	160-7459-00			IC: PROGRAMMED 156-3550-00, PAL20L10	80009	160-7459-00
	136-0925-00			*MOUNTING PARTS*		
				SOCKET, DIP: :	91506	224-AG30D
				*END MOUNTING PARTS*		
A7U54	156-1748-01			IC, DIGITAL: ALSTTL, TRANCEIVER; 8-BIT NONINV, HIGH DRIVE, 3-STATE; 74ALS245-1, DIP20.3, SCRN	01295	74ALS245A-1N3
A7U55	156-1664-00			IC, DIGITAL: ALSTTL, FLIP FLOP; OCTAL NONINV D-TYPE, 3-STATE; 74ALS574, DIP20.3, TUBE	80009	156-1664-00

Component No.	Tektronix Part No.	Serial/Assembly No. Effective Dscont	Name & Description	Mfr. Code	Mfr. Part No.
A7U56	156-1255-00		IC, CONVERTER: BIPOLAR, D/A; 8 BIT, 85NS, CURRENT OUT, MULTIPLYING; DAC08HP, DIP16.3	80009	156-1255-00
A7U57	156-1699-00		MICROCKT, LINEAR: DUAL BI-FET, OPNL AMPL	01295	TL288CP
A7U58	156-0991-00	671-1672-03	MICROCKT, LINEAR: VOLTAGE REGULATOR	80009	156-0991-00
A7W250	131-0566-00		BUS, CONDUCTOR: DUMMY RES, 0.094 OD X 0.225 L	24546	OMA 07
A8	671-1345-00		CIRCUIT BD ASSY: CLOCK INPUT	80009	671-1345-00
A8C1	281-0775-01		CAP, FXD, CER DI: 0.1UF, 20%, 50V	04222	SA105E104MAA
A8C11	290-0804-00		CAP, FXD, ELCTLT: 10UF, +50-20%, 25V	80009	290-0804-00
A8C12	281-0775-01		CAP, FXD, CER DI: 0.1UF, 20%, 50V	04222	SA105E104MAA
A8C13	281-0775-01		CAP, FXD, CER DI: 0.1UF, 20%, 50V	04222	SA105E104MAA
A8C14	290-0804-00		CAP, FXD, ELCTLT: 10UF, +50-20%, 25V	80009	290-0804-00
A8C15	281-0775-01		CAP, FXD, CER DI: 0.1UF, 20%, 50V	04222	SA105E104MAA
A8C16	281-0775-01		CAP, FXD, CER DI: 0.1UF, 20%, 50V	04222	SA105E104MAA
A8C17	281-0775-01		CAP, FXD, CER DI: 0.1UF, 20%, 50V	04222	SA105E104MAA
A8C18	281-0775-01		CAP, FXD, CER DI: 0.1UF, 20%, 50V	04222	SA105E104MAA
A8C19	281-0775-01		CAP, FXD, CER DI: 0.1UF, 20%, 50V	04222	SA105E104MAA
A8C20	281-0775-01		CAP, FXD, CER DI: 0.1UF, 20%, 50V	04222	SA105E104MAA
A8C21	281-0775-01		CAP, FXD, CER DI: 0.1UF, 20%, 50V	04222	SA105E104MAA
A8C22	281-0775-01		CAP, FXD, CER DI: 0.1UF, 20%, 50V	04222	SA105E104MAA
A8C23	281-0775-01		CAP, FXD, CER DI: 0.1UF, 20%, 50V	04222	SA105E104MAA
A8C26	281-0775-01		CAP, FXD, CER DI: 0.1UF, 20%, 50V	04222	SA105E104MAA
A8C27	290-0804-00		CAP, FXD, ELCTLT: 10UF, +50-20%, 25V	80009	290-0804-00
A8C28	290-0804-00		CAP, FXD, ELCTLT: 10UF, +50-20%, 25V	80009	290-0804-00
A8C29	290-0804-00		CAP, FXD, ELCTLT: 10UF, +50-20%, 25V	80009	290-0804-00
A8C30	290-0804-00		CAP, FXD, ELCTLT: 10UF, +50-20%, 25V	80009	290-0804-00
A8C31	281-0775-01		CAP, FXD, CER DI: 0.1UF, 20%, 50V	04222	SA105E104MAA
A8C32	281-0775-01		CAP, FXD, CER DI: 0.1UF, 20%, 50V	04222	SA105E104MAA
A8C33	281-0775-01		CAP, FXD, CER DI: 0.1UF, 20%, 50V	04222	SA105E104MAA
A8C34	281-0775-01		CAP, FXD, CER DI: 0.1UF, 20%, 50V	04222	SA105E104MAA
A8C35	281-0775-01		CAP, FXD, CER DI: 0.1UF, 20%, 50V	04222	SA105E104MAA
A8C36	281-0775-01		CAP, FXD, CER DI: 0.1UF, 20%, 50V	04222	SA105E104MAA
A8C37	281-0775-01		CAP, FXD, CER DI: 0.1UF, 20%, 50V	04222	SA105E104MAA
A8C38	290-0804-00		CAP, FXD, ELCTLT: 10UF, +50-20%, 25V	80009	290-0804-00
A8C39	290-0804-00		CAP, FXD, ELCTLT: 10UF, +50-20%, 25V	80009	290-0804-00
A8C40	281-0775-01		CAP, FXD, CER DI: 0.1UF, 20%, 50V	04222	SA105E104MAA
A8C41	281-0775-01		CAP, FXD, CER DI: 0.1UF, 20%, 50V	04222	SA105E104MAA
A8C42	281-0775-01		CAP, FXD, CER DI: 0.1UF, 20%, 50V	04222	SA105E104MAA
A8C43	281-0775-01		CAP, FXD, CER DI: 0.1UF, 20%, 50V	04222	SA105E104MAA
A8C44	281-0775-01		CAP, FXD, CER DI: 0.1UF, 20%, 50V	04222	SA105E104MAA
A8C45	281-0775-01		CAP, FXD, CER DI: 0.1UF, 20%, 50V	04222	SA105E104MAA
A8C46	281-0775-01		CAP, FXD, CER DI: 0.1UF, 20%, 50V	04222	SA105E104MAA
A8C47	281-0775-01		CAP, FXD, CER DI: 0.1UF, 20%, 50V	04222	SA105E104MAA
A8C48	281-0775-01		CAP, FXD, CER DI: 0.1UF, 20%, 50V	04222	SA105E104MAA
A8C49	281-0775-01		CAP, FXD, CER DI: 0.1UF, 20%, 50V	04222	SA105E104MAA
A8C50	283-0766-00		CAP, FXD, MICA DI: 47 PF, 1%, 500V	80009	283-0766-00
A8C51	283-0594-00		CAP, FXD, MICA DI: 0.001UF, 1%, 100V	80009	283-0594-00
A8C52	283-0594-00		CAP, FXD, MICA DI: 0.001UF, 1%, 100V	80009	283-0594-00
A8C53	281-0775-01		CAP, FXD, CER DI: 0.1UF, 20%, 50V	04222	SA105E104MAA
A8C54	281-0775-01		CAP, FXD, CER DI: 0.1UF, 20%, 50V	04222	SA105E104MAA
A8C55	283-0059-00		CAP, FXD, CER DI: 1UF, +80-20%, 50V	04222	SR305C105MAA
A8C56	281-0775-01		CAP, FXD, CER DI: 0.1UF, 20%, 50V	04222	SA105E104MAA
A8C57	281-0775-01		CAP, FXD, CER DI: 0.1UF, 20%, 50V	04222	SA105E104MAA
A8C58	281-0775-01		CAP, FXD, CER DI: 0.1UF, 20%, 50V	04222	SA105E104MAA
A8C59	281-0775-01		CAP, FXD, CER DI: 0.1UF, 20%, 50V	04222	SA105E104MAA
A8C60	281-0775-01		CAP, FXD, CER DI: 0.1UF, 20%, 50V	04222	SA105E104MAA
A8C61	281-0775-01		CAP, FXD, CER DI: 0.1UF, 20%, 50V	04222	SA105E104MAA
A8C63	281-0775-01		CAP, FXD, CER DI: 0.1UF, 20%, 50V	04222	SA105E104MAA
A8C64	281-0775-01		CAP, FXD, CER DI: 0.1UF, 20%, 50V	04222	SA105E104MAA
A8C65	281-0775-01		CAP, FXD, CER DI: 0.1UF, 20%, 50V	04222	SA105E104MAA

TSG 1001 - REPLACEABLE ELECTRICAL PARTS LIST

Component No.	Tektronix Part No.	Serial/Assembly No. Effective Dscnt	Name & Description	Mfr. Code	Mfr. Part No.
A8C66	281-0775-01		CAP,FXD,CER DI:0.1UF,20%,50V	04222	SA105E104MAA
A8C70	281-0775-01		CAP,FXD,CER DI:0.1UF,20%,50V	04222	SA105E104MAA
A8C71	281-0775-01		CAP,FXD,CER DI:0.1UF,20%,50V	04222	SA105E104MAA
A8C72	281-0775-01		CAP,FXD,CER DI:0.1UF,20%,50V	04222	SA105E104MAA
A8C73	281-0775-01		CAP,FXD,CER DI:0.1UF,20%,50V	04222	SA105E104MAA
A8C74	281-0775-01		CAP,FXD,CER DI:0.1UF,20%,50V	04222	SA105E104MAA
A8C76	281-0775-01		CAP,FXD,CER DI:0.1UF,20%,50V	04222	SA105E104MAA
A8C77	281-0775-01		CAP,FXD,CER DI:0.1UF,20%,50V	04222	SA105E104MAA
A8C79	281-0775-01		CAP,FXD,CER DI:0.1UF,20%,50V	04222	SA105E104MAA
A8C80	281-0775-01		CAP,FXD,CER DI:0.1UF,20%,50V	04222	SA105E104MAA
A8C81	281-0775-01		CAP,FXD,CER DI:0.1UF,20%,50V	04222	SA105E104MAA
A8C83	281-0775-01		CAP,FXD,CER DI:0.1UF,20%,50V	04222	SA105E104MAA
A8C84	281-0775-01		CAP,FXD,CER DI:0.1UF,20%,50V	04222	SA105E104MAA
A8C85	281-0775-01		CAP,FXD,CER DI:0.1UF,20%,50V	04222	SA105E104MAA
A8C86	281-0775-01		CAP,FXD,CER DI:0.1UF,20%,50V	04222	SA105E104MAA
A8C87	283-0594-00		CAP,FXD,MICA DI:0.001UF,1%,100V	80009	283-0594-00
A8C88	283-0594-00		CAP,FXD,MICA DI:0.001UF,1%,100V	80009	283-0594-00
A8C89	281-0775-01		CAP,FXD,CER DI:0.1UF,20%,50V	04222	SA105E104MAA
A8C90	283-0594-00		CAP,FXD,MICA DI:0.001UF,1%,100V	80009	283-0594-00
A8C91	283-0594-00		CAP,FXD,MICA DI:0.001UF,1%,100V	80009	283-0594-00
A8C92	281-0775-01		CAP,FXD,CER DI:0.1UF,20%,50V	04222	SA105E104MAA
A8C93	281-0775-01		CAP,FXD,CER DI:0.1UF,20%,50V	04222	SA105E104MAA
A8C94	281-0775-01		CAP,FXD,CER DI:0.1UF,20%,50V	04222	SA105E104MAA
A8C95	281-0775-01		CAP,FXD,CER DI:0.1UF,20%,50V	04222	SA105E104MAA
A8C96	281-0775-01		CAP,FXD,CER DI:0.1UF,20%,50V	04222	SA105E104MAA
A8CR1	152-0066-00		DIODE,RECT:;,400V,1A,30A IFSM;GP10G,DO-41,TR	05828	GP10G-020
A8CR2	152-0066-00		DIODE,RECT:;,400V,1A,30A IFSM;GP10G,DO-41,TR	05828	GP10G-020
A8CR3	152-0665-00		SEMICON DVC,DI:VVC,SI,30V,A276	25088	BB109G
A8CR4	152-0665-00		SEMICON DVC,DI:VVC,SI,30V,A276	25088	BB109G
A8CR5	152-0141-02		DIODE,SIG:ULTRA FAST;40V,150MA,4NS,2PF;1N4152,DO-35,TR	80009	152-0141-02
A8CR6	152-0725-00		SEMICON DVC,DI:SI,SCHOTTKY,20V,1.2PF,DO-35	21847	A2X1582
A8CR7	152-0141-02		DIODE,SIG:ULTRA FAST;40V,150MA,4NS,2PF;1N4152,DO-35,TR	80009	152-0141-02
A8DL1	119-1380-00		DELAY LINE,ELEC:10NS,100 OHM,TAPPED,7 SIP	80009	119-1380-00
A8DL2	119-1380-00		DELAY LINE,ELEC:10NS,100 OHM,TAPPED,7 SIP	80009	119-1380-00
A8DL3	119-1380-00		DELAY LINE,ELEC:10NS,100 OHM,TAPPED,7 SIP	80009	119-1380-00
A8DS1	150-1017-00		LT EMITTING DIO:GREEN,550NM,55MA MAX	80009	150-1017-00
A8J4	131-3323-00		CONN,HDR:	22526	66506-025
A8J7	131-5152-00		CONN,RF:BNC-TWIN,PCB,JACK,RTANG,REAR PNL MTG,0.170 TAIL,0.505 D MTG HOLE,TWINAX STYLE	00779	228686-1
A8J8	131-5152-00		CONN,RF:BNC-TWIN,PCB,JACK,RTANG,REAR PNL MTG,0.170 TAIL,0.505 D MTG HOLE,TWINAX STYLE	00779	228686-1
A8J9	131-0608-00		TERMINAL,PIN:0.365 L X 0.025 BRZ GLD PL (QUANTITY 4)	80009	131-0608-00
A8J10	131-0608-00		TERMINAL,PIN:0.365 L X 0.025 BRZ GLD PL (QUANTITY 4)	80009	131-0608-00
A8J11	131-0608-00		TERMINAL,PIN:0.365 L X 0.025 BRZ GLD PL (QUANTITY 5)	80009	131-0608-00
A8J12	131-0608-00		TERMINAL,PIN:0.365 L X 0.025 BRZ GLD PL (QUANTITY 5)	80009	131-0608-00
A8J13	131-0608-00		TERMINAL,PIN:0.365 L X 0.025 BRZ GLD PL (QUANTITY 5)	80009	131-0608-00
A8J14	131-0608-00		TERMINAL,PIN:0.365 L X 0.025 BRZ GLD PL (QUANTITY 5)	80009	131-0608-00
A8J15	131-0608-00		TERMINAL,PIN:0.365 L X 0.025 BRZ GLD PL (QUANTITY 3)	80009	131-0608-00
A8J16	131-0608-00		TERMINAL,PIN:0.365 L X 0.025 BRZ GLD PL	80009	131-0608-00



Component No.	Tektronix Part No.	Serial/Assembly No. Effective Dscort	Name & Description	Mfr. Code	Mfr. Part No.
			(QUANTITY 3)		
A8L1	108-0215-00		COIL, RF: FIXED, 1.1UH	TK1345	108-0215-00
A8L2	108-0215-00		COIL, RF: FIXED, 1.1UH	TK1345	108-0215-00
A8L3	108-0858-00		COIL, RF: FXD, 3.2 UH	TK1345	108-0858-00
A8L4	108-0215-00		COIL, RF: FIXED, 1.1UH	TK1345	108-0215-00
A8L5	108-0327-00		COIL, RF: FIXED, 48NH	TK2042	ORDER BY DESCR
A8P1	131-0993-02		BUS, CONDUCTOR: SHUNT ASSEMBLY, RED	00779	1-850100-0
A8Q1	151-0190-00		TRANSISTOR, SIG: BIPOLAR, NPN; 40V, 200MA, 300MHZ , AMPLIFIER; 2N3904, TO-92 EBC	80009	151-0190-00
A8R6	322-3058-00		RES, FXD, FILM: 39.2 OHM, 1%, 0.2W, TC=TO	80009	322-3058-00
A8R7	322-3058-00		RES, FXD, FILM: 39.2 OHM, 1%, 0.2W, TC=TO	80009	322-3058-00
A8R8	322-3085-00		RES, FXD, FILM: 75 OHM, 1%, 0.2W, TC=TO	57668	CRB20 FXE 75E0
A8R9	322-3085-00		RES, FXD, FILM: 75 OHM, 1%, 0.2W, TC=TO	57668	CRB20 FXE 75E0
A8R10	322-3137-00		RES, FXD, FILM: 261 OHM, 1%, 0.2W, TC=TO	80009	322-3137-00
A8R11	322-3137-00		RES, FXD, FILM: 261 OHM, 1%, 0.2W, TC=TO	80009	322-3137-00
A8R12	322-3085-00		RES, FXD, FILM: 75 OHM, 1%, 0.2W, TC=TO	57668	CRB20 FXE 75E0
A8R13	322-3085-00		RES, FXD, FILM: 75 OHM, 1%, 0.2W, TC=TO	57668	CRB20 FXE 75E0
A8R14	322-3085-00		RES, FXD, FILM: 75 OHM, 1%, 0.2W, TC=TO	57668	CRB20 FXE 75E0
A8R15	322-3085-00		RES, FXD, FILM: 75 OHM, 1%, 0.2W, TC=TO	57668	CRB20 FXE 75E0
A8R16	322-3085-00		RES, FXD, FILM: 75 OHM, 1%, 0.2W, TC=TO	57668	CRB20 FXE 75E0
A8R17	322-3165-00		RES, FXD, FILM: 511 OHM, 1%, 0.2W, TC=TO	57668	CRB20 FXE 511E
A8R18	322-3085-00		RES, FXD, FILM: 75 OHM, 1%, 0.2W, TC=TO	57668	CRB20 FXE 75E0
A8R19	322-3165-00		RES, FXD, FILM: 511 OHM, 1%, 0.2W, TC=TO	57668	CRB20 FXE 511E
A8R20	322-3085-00		RES, FXD, FILM: 75 OHM, 1%, 0.2W, TC=TO	57668	CRB20 FXE 75E0
A8R21	322-3085-00		RES, FXD, FILM: 75 OHM, 1%, 0.2W, TC=TO	57668	CRB20 FXE 75E0
A8R22	322-3086-00		RES, FXD, FILM: 76.8 OHM, 1%, 0.2W, TC=TO	91637	CCF50-2G76R80F
A8R23	322-3105-00		RES, FXD, FILM: 121 OHM, 1%, 0.2W, TC=TO	80009	322-3105-00
A8R24	322-3085-00		RES, FXD, FILM: 75 OHM, 1%, 0.2W, TC=TO	57668	CRB20 FXE 75E0
A8R25	322-3085-00		RES, FXD, FILM: 75 OHM, 1%, 0.2W, TC=TO	57668	CRB20 FXE 75E0
A8R26	322-3085-00		RES, FXD, FILM: 75 OHM, 1%, 0.2W, TC=TO	57668	CRB20 FXE 75E0
A8R27	322-3085-00		RES, FXD, FILM: 75 OHM, 1%, 0.2W, TC=TO	57668	CRB20 FXE 75E0
A8R28	322-3085-00		RES, FXD, FILM: 75 OHM, 1%, 0.2W, TC=TO	57668	CRB20 FXE 75E0
A8R29	307-0546-00		RES NTWK, FXD, FI: 5, 750HM, 5%, 0.15 W	80009	307-0546-00
A8R30	307-0546-00		RES NTWK, FXD, FI: 5, 750HM, 5%, 0.15 W	80009	307-0546-00
A8R31	322-3260-00		RES, FXD, FILM: 4.99K OHM, 1%, 0.2W, TC=TO	57668	CRB20 FXE 4K99
A8R32	322-3260-00		RES, FXD, FILM: 4.99K OHM, 1%, 0.2W, TC=TO	57668	CRB20 FXE 4K99
A8R33	322-3260-00		RES, FXD, FILM: 4.99K OHM, 1%, 0.2W, TC=TO	57668	CRB20 FXE 4K99
A8R34	322-3085-00		RES, FXD, FILM: 75 OHM, 1%, 0.2W, TC=TO	57668	CRB20 FXE 75E0
A8R35	322-3085-00		RES, FXD, FILM: 75 OHM, 1%, 0.2W, TC=TO	57668	CRB20 FXE 75E0
A8R36	322-3097-00		RES, FXD, FILM: 100 OHM, 1%, 0.2W, TC=TO	57668	CRB20 FXE 100E
A8R37	322-3097-00		RES, FXD, FILM: 100 OHM, 1%, 0.2W, TC=TO	57668	CRB20 FXE 100E
A8R39	322-3126-00		RES, FXD, FILM: 200 OHM, 1%, 0.2W, TC=TO	80009	322-3126-00
A8R40	322-3126-00		RES, FXD, FILM: 200 OHM, 1%, 0.2W, TC=TO	80009	322-3126-00
A8R41	322-3097-00		RES, FXD, FILM: 100 OHM, 1%, 0.2W, TC=TO	57668	CRB20 FXE 100E
A8R42	322-3126-00		RES, FXD, FILM: 200 OHM, 1%, 0.2W, TC=TO	80009	322-3126-00
A8R43	322-3126-00		RES, FXD, FILM: 200 OHM, 1%, 0.2W, TC=TO	80009	322-3126-00
A8R44	322-3289-00		RES, FXD, FILM: 10K OHM, 1%, 0.2W, TC=TO	80009	322-3289-00
A8R45	322-3289-00		RES, FXD, FILM: 10K OHM, 1%, 0.2W, TC=TO	80009	322-3289-00
A8R46	322-3085-00		RES, FXD, FILM: 75 OHM, 1%, 0.2W, TC=TO	57668	CRB20 FXE 75E0
A8R47	322-3085-00		RES, FXD, FILM: 75 OHM, 1%, 0.2W, TC=TO	57668	CRB20 FXE 75E0
A8R48	322-3085-00		RES, FXD, FILM: 75 OHM, 1%, 0.2W, TC=TO	57668	CRB20 FXE 75E0
A8R49	322-3085-00		RES, FXD, FILM: 75 OHM, 1%, 0.2W, TC=TO	57668	CRB20 FXE 75E0
A8R50	322-3085-00		RES, FXD, FILM: 75 OHM, 1%, 0.2W, TC=TO	57668	CRB20 FXE 75E0
A8R53	322-3085-00		RES, FXD, FILM: 75 OHM, 1%, 0.2W, TC=TO	57668	CRB20 FXE 75E0
A8R54	322-3085-00		RES, FXD, FILM: 75 OHM, 1%, 0.2W, TC=TO	57668	CRB20 FXE 75E0
A8R55	322-3085-00		RES, FXD, FILM: 75 OHM, 1%, 0.2W, TC=TO	57668	CRB20 FXE 75E0
A8R56	322-3085-00		RES, FXD, FILM: 75 OHM, 1%, 0.2W, TC=TO	57668	CRB20 FXE 75E0
A8R57	322-3085-00		RES, FXD, FILM: 75 OHM, 1%, 0.2W, TC=TO	57668	CRB20 FXE 75E0
A8R58	322-3085-00		RES, FXD, FILM: 75 OHM, 1%, 0.2W, TC=TO	57668	CRB20 FXE 75E0

TSG 1001 - REPLACEABLE ELECTRICAL PARTS LIST

Component No.	Tektronix Part No.	Serial/Assembly No.		Name & Description	Mfr. Code	Mfr. Part No.
		Effective	Discont			
A8R59	322-3085-00			RES, FXD, FILM: 75 OHM, 1%, 0.2W, TC=TO	57668	CRB20 FXE 75E0
A8R60	322-3085-00			RES, FXD, FILM: 75 OHM, 1%, 0.2W, TC=TO	57668	CRB20 FXE 75E0
A8R61	322-3085-00			RES, FXD, FILM: 75 OHM, 1%, 0.2W, TC=TO	57668	CRB20 FXE 75E0
A8R62	322-3289-00			RES, FXD, FILM: 10K OHM, 1%, 0.2W, TC=TO	80009	322-3289-00
A8R63	322-3289-00			RES, FXD, FILM: 10K OHM, 1%, 0.2W, TC=TO	80009	322-3289-00
A8R64	322-3289-00			RES, FXD, FILM: 10K OHM, 1%, 0.2W, TC=TO	80009	322-3289-00
A8R65	322-3289-00			RES, FXD, FILM: 10K OHM, 1%, 0.2W, TC=TO	80009	322-3289-00
A8R66	322-3481-00			RES, FXD, FILM: 1M OHM, 1%, 0.2W, TC=TO	80009	322-3481-00
A8R67	322-3289-00			RES, FXD, FILM: 10K OHM, 1%, 0.2W, TC=TO	80009	322-3289-00
A8R68	322-3097-00			RES, FXD, FILM: 100 OHM, 1%, 0.2W, TC=TO	57668	CRB20 FXE 100E
A8R69	322-3097-00			RES, FXD, FILM: 100 OHM, 1%, 0.2W, TC=TO	57668	CRB20 FXE 100E
A8R70	322-3097-00			RES, FXD, FILM: 100 OHM, 1%, 0.2W, TC=TO	57668	CRB20 FXE 100E
A8R71	322-3193-00			RES, FXD, FILM: 1K OHM, 1%, 0.2W, TC=TO	57668	CRB20 FXE 1K00
A8R72	322-3058-00			RES, FXD, FILM: 39.2 OHM, 1%, 0.2W, TC=TO	80009	322-3058-00
A8R73	322-3058-00			RES, FXD, FILM: 39.2 OHM, 1%, 0.2W, TC=TO	80009	322-3058-00
A8R74	322-3085-00			RES, FXD, FILM: 75 OHM, 1%, 0.2W, TC=TO	57668	CRB20 FXE 75E0
A8R75	322-3085-00			RES, FXD, FILM: 75 OHM, 1%, 0.2W, TC=TO	57668	CRB20 FXE 75E0
A8R76	322-3085-00			RES, FXD, FILM: 75 OHM, 1%, 0.2W, TC=TO	57668	CRB20 FXE 75E0
A8R77	322-3137-00			RES, FXD, FILM: 261 OHM, 1%, 0.2W, TC=TO	80009	322-3137-00
A8R78	322-3137-00			RES, FXD, FILM: 261 OHM, 1%, 0.2W, TC=TO	80009	322-3137-00
A8R80	322-3085-00			RES, FXD, FILM: 75 OHM, 1%, 0.2W, TC=TO	57668	CRB20 FXE 75E0
A8R81	322-3085-00			RES, FXD, FILM: 75 OHM, 1%, 0.2W, TC=TO	57668	CRB20 FXE 75E0
A8R83	322-3165-00			RES, FXD, FILM: 511 OHM, 1%, 0.2W, TC=TO	57668	CRB20 FXE 511E
A8R84	322-3085-00			RES, FXD, FILM: 75 OHM, 1%, 0.2W, TC=TO	57668	CRB20 FXE 75E0
A8R85	322-3085-00			RES, FXD, FILM: 75 OHM, 1%, 0.2W, TC=TO	57668	CRB20 FXE 75E0
A8R88	322-3165-00			RES, FXD, FILM: 511 OHM, 1%, 0.2W, TC=TO	57668	CRB20 FXE 511E
A8R89	322-3085-00			RES, FXD, FILM: 75 OHM, 1%, 0.2W, TC=TO	57668	CRB20 FXE 75E0
A8R90	322-3289-00			RES, FXD, FILM: 10K OHM, 1%, 0.2W, TC=TO	80009	322-3289-00
A8R91	322-3260-00			RES, FXD, FILM: 4.99K OHM, 1%, 0.2W, TC=TO	57668	CRB20 FXE 4K99
A8R92	322-3193-00			RES, FXD, FILM: 1K OHM, 1%, 0.2W, TC=TO	57668	CRB20 FXE 1K00
A8R93	322-3259-00			RES, FXD, FILM: 4.87K OHM, 1%, 0.2W, TC=TO	80009	322-3259-00
A8R94	322-3001-00			RES, FXD, FILM: 10 OHM, 1%, 0.2W, TC=TO	80009	322-3001-00
A8R95	322-3001-00			RES, FXD, FILM: 10 OHM, 1%, 0.2W, TC=TO	80009	322-3001-00
A8R96	322-3281-00			RES, FXD, FILM: 8.25K OHM, 1%, 0.2W, TC=TO	80009	322-3281-00
A8R97	322-3085-00			RES, FXD, FILM: 75 OHM, 1%, 0.2W, TC=TO	57668	CRB20 FXE 75E0
A8R98	322-3193-00			RES, FXD, FILM: 1K OHM, 1%, 0.2W, TC=TO	57668	CRB20 FXE 1K00
A8R99	322-3210-00			RES, FXD, FILM: 1.5K OHM, 1%, 0.2W, TC=TO	57668	CRB20 FXE 1K50
A8R100	322-3085-00			RES, FXD, FILM: 75 OHM, 1%, 0.2W, TC=TO	57668	CRB20 FXE 75E0
A8R101	322-3085-00			RES, FXD, FILM: 75 OHM, 1%, 0.2W, TC=TO	57668	CRB20 FXE 75E0
A8R102	322-3085-00			RES, FXD, FILM: 75 OHM, 1%, 0.2W, TC=TO	57668	CRB20 FXE 75E0
A8R103	322-3085-00			RES, FXD, FILM: 75 OHM, 1%, 0.2W, TC=TO	57668	CRB20 FXE 75E0
A8R104	322-3164-00			RES, FXD, FILM: 499 OHM, 1%, 0.2W, TC=TO	57668	CRB20 FXE 499E
A8TP1	214-4085-00			TERM, TEST POINT: 0.070 ID, 0.220 H, 0.063 DIA PCB, 0.015 X 0.032 BRASS, W/ RED NYLON COLLAR	26364	104-01-02
A8TP2	214-4085-00			TERM, TEST POINT: 0.070 ID, 0.220 H, 0.063 DIA PCB, 0.015 X 0.032 BRASS, W/ RED NYLON COLLAR	26364	104-01-02
A8TP3	214-4085-00			TERM, TEST POINT: 0.070 ID, 0.220 H, 0.063 DIA PCB, 0.015 X 0.032 BRASS, W/ RED NYLON COLLAR	26364	104-01-02
A8TP4	214-4085-00			TERM, TEST POINT: 0.070 ID, 0.220 H, 0.063 DIA PCB, 0.015 X 0.032 BRASS, W/ RED NYLON COLLAR	26364	104-01-02
A8TP5	214-4085-00			TERM, TEST POINT: 0.070 ID, 0.220 H, 0.063 DIA PCB, 0.015 X 0.032 BRASS, W/ RED NYLON COLLAR	26364	104-01-02
A8TP6	214-4085-00			TERM, TEST POINT: 0.070 ID, 0.220 H, 0.063 DIA PCB, 0.015 X 0.032 BRASS, W/ RED NYLON COLLAR	26364	104-01-02
A8TP7	214-4085-00			TERM, TEST POINT: 0.070 ID, 0.220 H, 0.063 DIA PCB, 0.015 X 0.032 BRASS, W/ RED NYLON COLLAR	26364	104-01-02
A8TP8	214-4085-00			TERM, TEST POINT: 0.070 ID, 0.220 H, 0.063 DIA PCB, 0.015 X 0.032 BRASS, W/ RED NYLON COLLAR	26364	104-01-02

Component No.	Tektronix Part No.	Serial/Assembly No. Effective Dscnt	Name & Description	Mfr. Code	Mfr. Part No.
A8TP9	214-4085-00		TERM, TEST POINT: 0.070 ID, 0.220 H, 0.063 DIA PCB, 0.015 X 0.032 BRASS, W/ RED NYLON COLLAR	26364	104-01-02
A8TP10	214-4085-00		TERM, TEST POINT: 0.070 ID, 0.220 H, 0.063 DIA PCB, 0.015 X 0.032 BRASS, W/ RED NYLON COLLAR	26364	104-01-02
A8TP11	214-4085-00		TERM, TEST POINT: 0.070 ID, 0.220 H, 0.063 DIA PCB, 0.015 X 0.032 BRASS, W/ RED NYLON COLLAR	26364	104-01-02
A8TP12	214-4085-00		TERM, TEST POINT: 0.070 ID, 0.220 H, 0.063 DIA PCB, 0.015 X 0.032 BRASS, W/ RED NYLON COLLAR	26364	104-01-02
A8TP13	214-4085-00		TERM, TEST POINT: 0.070 ID, 0.220 H, 0.063 DIA PCB, 0.015 X 0.032 BRASS, W/ RED NYLON COLLAR	26364	104-01-02
A8U1	156-1640-00		IC, DIGITAL: ECL, RECEIVER; TRIPLE LINE; 10H116, DIP16.3, TUBE	80009	156-1640-00
A8U2	156-1640-00		IC, DIGITAL: ECL, RECEIVER; TRIPLE LINE; 10H116, DIP16.3, TUBE	80009	156-1640-00
A8U3	156-1640-00		IC, DIGITAL: ECL, RECEIVER; TRIPLE LINE; 10H116, DIP16.3, TUBE	80009	156-1640-00
A8U4	156-1640-00		IC, DIGITAL: ECL, RECEIVER; TRIPLE LINE; 10H116, DIP16.3, TUBE	80009	156-1640-00
A8U5	156-1640-00		IC, DIGITAL: ECL, RECEIVER; TRIPLE LINE; 10H116, DIP16.3, TUBE	80009	156-1640-00
A8U6	160-8053-00		MICROCKT, DGTL: PROGRAMMED 156-3550-00, PAL22V 10	80009	160-8053-00
A8U7	156-1748-01		IC, DIGITAL: ALSTTL, TRANCEIVER; 8-BIT NONINV, HIGH DRIVE, 3-STATE; 74ALS245-1, DIP20.3, SCRN	01295	74ALS245A-1N3
A8U8	156-1664-00		IC, DIGITAL: ALSTTL, FLIP FLOP; OCTAL NONINV D-TYPE, 3-STATE; 74ALS574, DIP20.3, TUBE	80009	156-1664-00
A8U9	156-2391-00		IC, DIGITAL: ALSTTL, BUFFER/DRIVER; OCTAL NONINV, 3-STATE; 74ALS541, DIP20.3, TUBE	80009	156-2391-00
A8U10	156-1795-00		IC, DIGITAL: ECL, MUX/ENCODER; DUAL 4-TO-1 MUX; 10H174, DIP16.3, TUBE	80009	156-1795-00
A8U11	156-2115-00		IC, DIGITAL: ECL, DEMUX/DECODER; 1-TO-4 BINARY; 10H171, DIP16.3, TUBE	80009	156-2115-00
A8U12	156-1451-00		IC, LINEAR: BIPOLAR, VOLTAGE REGULATOR; NEGATIVE, ADJUSTABLE, 1.5A, 4%; LM337T, TO-220	80009	156-1451-00
			*MOUNTING PARTS*		
	210-1178-00		WASHER, SHLDR:	80009	210-1178-00
	211-0008-00		SCREW, MACHINE: 4-40 X 0.25, PNH, STL	93907	ORDER BY DESCR
	342-0563-00		INSULATOR, PLATE: TRANSISTOR, FIBERGLASS REINFORCED SILICON RUBBER	18565	69-11-8805-1674
			*END MOUNTING PARTS*		
A8U13	156-2142-00		IC, DIGITAL: ECL, COUNTER; 4-BIT BINARY; 10H016, DIP16.3, TUBE	80009	156-2142-00
A8U14	156-2142-00		IC, DIGITAL: ECL, COUNTER; 4-BIT BINARY; 10H016, DIP16.3, TUBE	80009	156-2142-00
A8U15	156-1849-00		IC, DIGITAL: ECL, GATE; QUAD 2-INPUT OR; 10H103, DIP16.3, TUBE	80009	156-1849-00
A8U16	156-2289-00		IC, DIGITAL: ECL, TRANSLATOR; QUAD TTL-TO-ECL; 10H124, DIP16.3, TUBE	04713	MC10H124P
A8U17	156-2289-00		IC, DIGITAL: ECL, TRANSLATOR; QUAD TTL-TO-ECL; 10H124, DIP16.3, TUBE	04713	MC10H124P
A8U18	156-2289-00		IC, DIGITAL: ECL, TRANSLATOR; QUAD TTL-TO-ECL; 10H124, DIP16.3, TUBE	04713	MC10H124P
A8U19	156-1639-00		IC, DIGITAL: ECL, FLIP FLOP; DUAL MASTER-SLAVE; 10H131, DIP16.3	80009	156-1639-00
A8U20	156-1642-01		IC, DIGITAL: ECL, GATE; TRIPLE 2-3-2 INPUT OR/N OR; 10H105, DIP16.3, TUBE, SCRN	80009	156-1642-01
A8U21	156-0853-02		IC, LINEAR: BIPOLAR, OP-AMP; DUPLICATE OF 156-0853-00, DO NOT USE; LM358N, DIP08.3	80009	156-0853-02

TSG 1001 - REPLACEABLE ELECTRICAL PARTS LIST

Component No.	Tektronix Part No.	Serial/Assembly No. Effective Discort		Name & Description	Mfr. Code	Mfr. Part No.
A8U22	156-1795-00			IC,DIGITAL:ECL,MUX/ENCODER;DUAL 4-TO-1 MUX; 10H174,DIP16.3,TUBE	80009	156-1795-00
A8U23	156-2115-00			IC,DIGITAL:ECL,DEMUX/DECODER;1-TO-4 BINARY; 10H171,DIP16.3,TUBE	80009	156-2115-00
A8U24	156-2290-00			IC,DIGITAL:ECL,TRANSLATOR;QUAD ECL-TO-TTL;1 0H125,DIP16.3,TUBE	80009	156-2290-00
A8U25	156-1664-00			IC,DIGITAL:ALSTTL,FLIP FLOP;OCTAL NONINV D- TYPE, 3-STATE;74ALS574,DIP20.3,TUBE	80009	156-1664-00
A8U26	156-1639-00			IC,DIGITAL:ECL,FLIP FLOP;DUAL MASTER-SLAVE; 10H131,DIP16.3	80009	156-1639-00
A9	119-3827-00			DISPLAY,ELEC:VACUUM FLORESCENT	80009	119-3827-00
A17	671-2028-00	B010100	B010137	CIRCUIT BD ASSY:RAM/LINE EXTENDER	80009	671-2028-00
A17	671-2028-01	B010138	B010186	CIRCUIT BD ASSY:RAM/LINE EXTENDER	80009	671-2028-01
A17	671-2028-02	B010187	B010199	CIRCUIT BD ASSY:RAM/LINE EXTENDER	80009	671-2028-02
A17	671-2028-03	B010200	B010218	CIRCUIT BD ASSY:RAM/LINE EXTENDER	80009	671-2028-03
A17	671-2028-04	B010219		CIRCUIT BD ASSY:RAM/LINE EXTENDER (OPTION 07 ONLY)	80009	671-2028-04
A17BT550	146-0058-00			BATTERY,STORAGE:1.2V,500MAH,AA CELL *MOUNTING PARTS*	80009	146-0058-00
	210-0405-00			NUT,PLAIN,HEX:2-56 X 0.188,BRS CD PL (QUANTITY 2)	73743	12157-50
	211-0001-00			SCREW,MACHINE:2-56 X 0.25,PNH,STL (QUANTITY 2)	93907	ORDER BY DESCR
	352-0961-00			HOLDER,BATTERY:AA,3 CELL,PC MOUNT *END MOUNTING PARTS*	65249	BH3AA-PC
A17C100	281-0775-01			CAP,FXD,CER DI:0.1UF,20%,50V	04222	SA105E104MAA
A17C101	281-0775-01			CAP,FXD,CER DI:0.1UF,20%,50V	04222	SA105E104MAA
A17C102	281-0775-01			CAP,FXD,CER DI:0.1UF,20%,50V	04222	SA105E104MAA
A17C103	281-0775-01			CAP,FXD,CER DI:0.1UF,20%,50V	04222	SA105E104MAA
A17C104	281-0775-01			CAP,FXD,CER DI:0.1UF,20%,50V	04222	SA105E104MAA
A17C105	281-0775-01			CAP,FXD,CER DI:0.1UF,20%,50V	04222	SA105E104MAA
A17C106	281-0775-01			CAP,FXD,CER DI:0.1UF,20%,50V	04222	SA105E104MAA
A17C107	281-0775-01			CAP,FXD,CER DI:0.1UF,20%,50V	04222	SA105E104MAA
A17C108	281-0775-01			CAP,FXD,CER DI:0.1UF,20%,50V	04222	SA105E104MAA
A17C109	281-0775-01			CAP,FXD,CER DI:0.1UF,20%,50V	04222	SA105E104MAA
A17C110	281-0775-01			CAP,FXD,CER DI:0.1UF,20%,50V	04222	SA105E104MAA
A17C111	281-0775-01			CAP,FXD,CER DI:0.1UF,20%,50V	04222	SA105E104MAA
A17C112	281-0775-01			CAP,FXD,CER DI:0.1UF,20%,50V	04222	SA105E104MAA
A17C113	281-0775-01			CAP,FXD,CER DI:0.1UF,20%,50V	04222	SA105E104MAA
A17C114	281-0775-01			CAP,FXD,CER DI:0.1UF,20%,50V	04222	SA105E104MAA
A17C115	281-0775-01			CAP,FXD,CER DI:0.1UF,20%,50V	04222	SA105E104MAA
A17C116	281-0775-01			CAP,FXD,CER DI:0.1UF,20%,50V	04222	SA105E104MAA
A17C117	281-0775-01			CAP,FXD,CER DI:0.1UF,20%,50V	04222	SA105E104MAA
A17C118	281-0775-01			CAP,FXD,CER DI:0.1UF,20%,50V	04222	SA105E104MAA
A17C119	281-0775-01			CAP,FXD,CER DI:0.1UF,20%,50V	04222	SA105E104MAA
A17C120	281-0775-01			CAP,FXD,CER DI:0.1UF,20%,50V	04222	SA105E104MAA
A17C121	281-0775-01			CAP,FXD,CER DI:0.1UF,20%,50V	04222	SA105E104MAA
A17C122	281-0775-01			CAP,FXD,CER DI:0.1UF,20%,50V	04222	SA105E104MAA
A17C123	281-0775-01			CAP,FXD,CER DI:0.1UF,20%,50V	04222	SA105E104MAA
A17C124	281-0775-01			CAP,FXD,CER DI:0.1UF,20%,50V	04222	SA105E104MAA
A17C125	281-0775-01			CAP,FXD,CER DI:0.1UF,20%,50V	04222	SA105E104MAA
A17C126	281-0775-01			CAP,FXD,CER DI:0.1UF,20%,50V	04222	SA105E104MAA
A17C127	281-0775-01			CAP,FXD,CER DI:0.1UF,20%,50V	04222	SA105E104MAA
A17C128	281-0775-01			CAP,FXD,CER DI:0.1UF,20%,50V	04222	SA105E104MAA
A17C129	281-0775-01			CAP,FXD,CER DI:0.1UF,20%,50V	04222	SA105E104MAA
A17C130	281-0775-01			CAP,FXD,CER DI:0.1UF,20%,50V	04222	SA105E104MAA
A17C131	281-0775-01			CAP,FXD,CER DI:0.1UF,20%,50V	04222	SA105E104MAA
A17C132	281-0775-01			CAP,FXD,CER DI:0.1UF,20%,50V	04222	SA105E104MAA
A17C133	281-0775-01			CAP,FXD,CER DI:0.1UF,20%,50V	04222	SA105E104MAA
A17C134	281-0775-01			CAP,FXD,CER DI:0.1UF,20%,50V	04222	SA105E104MAA



TSG 1001 - REPLACEABLE ELECTRICAL PARTS LIST

Component No.	Tektronix Part No.	Serial/Assembly No.		Name & Description	Mfr. Code	Mfr. Part No.
		Effective	Discont			
A17C194	281-0775-01			CAP,FXD,CER DI:0.1UF,20%,50V	04222	SA105E104MAA
A17C195	281-0775-01			CAP,FXD,CER DI:0.1UF,20%,50V	04222	SA105E104MAA
A17C196	281-0775-01			CAP,FXD,CER DI:0.1UF,20%,50V	04222	SA105E104MAA
A17C197	281-0775-01			CAP,FXD,CER DI:0.1UF,20%,50V	04222	SA105E104MAA
A17C198	281-0775-01			CAP,FXD,CER DI:0.1UF,20%,50V	04222	SA105E104MAA
A17C199	281-0775-01			CAP,FXD,CER DI:0.1UF,20%,50V	04222	SA105E104MAA
A17C200	281-0775-01			CAP,FXD,CER DI:0.1UF,20%,50V	04222	SA105E104MAA
A17C201	281-0775-01			CAP,FXD,CER DI:0.1UF,20%,50V	04222	SA105E104MAA
A17C202	281-0775-01			CAP,FXD,CER DI:0.1UF,20%,50V	04222	SA105E104MAA
A17C203	281-0775-01			CAP,FXD,CER DI:0.1UF,20%,50V	04222	SA105E104MAA
A17C204	281-0775-01			CAP,FXD,CER DI:0.1UF,20%,50V	04222	SA105E104MAA
A17C205	281-0775-01			CAP,FXD,CER DI:0.1UF,20%,50V	04222	SA105E104MAA
A17C206	281-0775-01			CAP,FXD,CER DI:0.1UF,20%,50V	04222	SA105E104MAA
A17C207	281-0775-01			CAP,FXD,CER DI:0.1UF,20%,50V	04222	SA105E104MAA
A17C208	281-0775-01			CAP,FXD,CER DI:0.1UF,20%,50V	04222	SA105E104MAA
A17C209	281-0775-01			CAP,FXD,CER DI:0.1UF,20%,50V	04222	SA105E104MAA
A17C210	281-0775-01			CAP,FXD,CER DI:0.1UF,20%,50V	04222	SA105E104MAA
A17C211	281-0775-01			CAP,FXD,CER DI:0.1UF,20%,50V	04222	SA105E104MAA
A17C212	281-0775-01			CAP,FXD,CER DI:0.1UF,20%,50V	04222	SA105E104MAA
A17C213	281-0775-01			CAP,FXD,CER DI:0.1UF,20%,50V	04222	SA105E104MAA
A17C214	281-0775-01			CAP,FXD,CER DI:0.1UF,20%,50V	04222	SA105E104MAA
A17C215	281-0775-01			CAP,FXD,CER DI:0.1UF,20%,50V	04222	SA105E104MAA
A17C216	281-0775-01			CAP,FXD,CER DI:0.1UF,20%,50V	04222	SA105E104MAA
A17C217	281-0775-01			CAP,FXD,CER DI:0.1UF,20%,50V	04222	SA105E104MAA
A17C218	281-0775-01			CAP,FXD,CER DI:0.1UF,20%,50V	04222	SA105E104MAA
A17C219	281-0775-01			CAP,FXD,CER DI:0.1UF,20%,50V	04222	SA105E104MAA
A17C220	281-0775-01			CAP,FXD,CER DI:0.1UF,20%,50V	04222	SA105E104MAA
A17C221	281-0775-01			CAP,FXD,CER DI:0.1UF,20%,50V	04222	SA105E104MAA
A17C222	281-0775-01			CAP,FXD,CER DI:0.1UF,20%,50V	04222	SA105E104MAA
A17C223	281-0775-01			CAP,FXD,CER DI:0.1UF,20%,50V	04222	SA105E104MAA
A17C224	281-0775-01			CAP,FXD,CER DI:0.1UF,20%,50V	04222	SA105E104MAA
A17C225	281-0775-01			CAP,FXD,CER DI:0.1UF,20%,50V	04222	SA105E104MAA
A17C230	281-0775-01			CAP,FXD,CER DI:0.1UF,20%,50V	04222	SA105E104MAA
A17C231	281-0775-01			CAP,FXD,CER DI:0.1UF,20%,50V	04222	SA105E104MAA
A17C232	281-0775-01			CAP,FXD,CER DI:0.1UF,20%,50V	04222	SA105E104MAA
A17C233	281-0775-01			CAP,FXD,CER DI:0.1UF,20%,50V	04222	SA105E104MAA
A17C234	281-0775-01			CAP,FXD,CER DI:0.1UF,20%,50V	04222	SA105E104MAA
A17C235	281-0775-01			CAP,FXD,CER DI:0.1UF,20%,50V	04222	SA105E104MAA
A17C236	281-0775-01			CAP,FXD,CER DI:0.1UF,20%,50V	04222	SA105E104MAA
A17C237	281-0775-01			CAP,FXD,CER DI:0.1UF,20%,50V	04222	SA105E104MAA
A17C238	281-0775-01			CAP,FXD,CER DI:0.1UF,20%,50V	04222	SA105E104MAA
A17C239	281-0775-01			CAP,FXD,CER DI:0.1UF,20%,50V	04222	SA105E104MAA
A17C240	281-0775-01			CAP,FXD,CER DI:0.1UF,20%,50V	04222	SA105E104MAA
A17C241	281-0775-01			CAP,FXD,CER DI:0.1UF,20%,50V	04222	SA105E104MAA
A17C242	281-0775-01			CAP,FXD,CER DI:0.1UF,20%,50V	04222	SA105E104MAA
A17C243	281-0775-01			CAP,FXD,CER DI:0.1UF,20%,50V	04222	SA105E104MAA
A17C244	281-0775-01			CAP,FXD,CER DI:0.1UF,20%,50V	04222	SA105E104MAA
A17C245	281-0775-01			CAP,FXD,CER DI:0.1UF,20%,50V	04222	SA105E104MAA
A17C246	281-0775-01			CAP,FXD,CER DI:0.1UF,20%,50V	04222	SA105E104MAA
A17C247	281-0775-01			CAP,FXD,CER DI:0.1UF,20%,50V	04222	SA105E104MAA
A17C248	281-0775-01			CAP,FXD,CER DI:0.1UF,20%,50V	04222	SA105E104MAA
A17C249	281-0775-01			CAP,FXD,CER DI:0.1UF,20%,50V	04222	SA105E104MAA
A17C250	290-0973-00			CAP,FXD,ELCTLT:100UF,20%,25VDC	24165	513D107M025BB4D
A17C251	290-0973-00			CAP,FXD,ELCTLT:100UF,20%,25VDC	24165	513D107M025BB4D
A17C252	290-0973-00			CAP,FXD,ELCTLT:100UF,20%,25VDC	24165	513D107M025BB4D
A17C253	290-0973-00			CAP,FXD,ELCTLT:100UF,20%,25VDC	24165	513D107M025BB4D
A17C254	290-0973-00			CAP,FXD,ELCTLT:100UF,20%,25VDC	24165	513D107M025BB4D
A17C255	290-0973-00			CAP,FXD,ELCTLT:100UF,20%,25VDC	24165	513D107M025BB4D
A17C270	281-0762-00	671-2028-02		CAP,FXD,CER DI:27PF,20%,100V	04222	SA101A270MAA

Component No.	Tektronix Part No.	Serial/Assembly No. Effective Dscont	Name & Description	Mfr. Code	Mfr. Part No.
A17C271	281-0762-00	671-2028-02	CAP, FXD, CER DI: 27PF, 20%, 100V	04222	SA101A270MAA
A17C272	281-0762-00	671-2028-02	CAP, FXD, CER DI: 27PF, 20%, 100V	04222	SA101A270MAA
A17C273	281-0762-00	671-2028-02	CAP, FXD, CER DI: 27PF, 20%, 100V	04222	SA101A270MAA
A17C274	281-0762-00	671-2028-02	CAP, FXD, CER DI: 27PF, 20%, 100V	04222	SA101A270MAA
A17C275	281-0762-00	671-2028-04	CAP, FXD, CER DI: 27PF, 20%, 100V	04222	SA101A270MAA
A17C276	281-0762-00	671-2028-04	CAP, FXD, CER DI: 27PF, 20%, 100V	04222	SA101A270MAA
A17C277	281-0762-00	671-2028-04	CAP, FXD, CER DI: 27PF, 20%, 100V	04222	SA101A270MAA
A17C278	281-0762-00	671-2028-04	CAP, FXD, CER DI: 27PF, 20%, 100V	04222	SA101A270MAA
A17C279	281-0762-00	671-2028-04	CAP, FXD, CER DI: 27PF, 20%, 100V	04222	SA101A270MAA
A17C280	281-0762-00	671-2028-04	CAP, FXD, CER DI: 27PF, 20%, 100V	04222	SA101A270MAA
A17C281	281-0762-00	671-2028-04	CAP, FXD, CER DI: 27PF, 20%, 100V	04222	SA101A270MAA
A17C282	281-0762-00	671-2028-04	CAP, FXD, CER DI: 27PF, 20%, 100V	04222	SA101A270MAA
A17C283	281-0762-00	671-2028-04	CAP, FXD, CER DI: 27PF, 20%, 100V	04222	SA101A270MAA
A17C284	281-0762-00	671-2028-04	CAP, FXD, CER DI: 27PF, 20%, 100V	04222	SA101A270MAA
A17CR550	152-0141-02		DIODE, SIG: , ULTRA FAST; 40V, 150MA, 4NS, 2PF; 1N4152, DO-35, TR	80009	152-0141-02
A17CR551	152-0141-02		DIODE, SIG: , ULTRA FAST; 40V, 150MA, 4NS, 2PF; 1N4152, DO-35, TR	80009	152-0141-02
A17CR552	152-0581-04		SEMICON DVC, DI: RECT, SI, 20V, 1A, A59	04713	1N5817RL
A17CR553	152-0581-04		SEMICON DVC, DI: RECT, SI, 20V, 1A, A59	04713	1N5817RL
A17DL500	119-1380-00		DELAY LINE, ELEC: 10NS, 100 OHM, TAPPED, 7 SIP	80009	119-1380-00
A17DL501	119-1380-00		DELAY LINE, ELEC: 10NS, 100 OHM, TAPPED, 7 SIP	80009	119-1380-00
A17DL510	119-1380-00		DELAY LINE, ELEC: 10NS, 100 OHM, TAPPED, 7 SIP	80009	119-1380-00
A17DL511	119-1380-00		DELAY LINE, ELEC: 10NS, 100 OHM, TAPPED, 7 SIP	80009	119-1380-00
A17J1	131-3364-00		CONN, HDR:	80009	131-3364-00
A17J2	131-3323-00		CONN, HDR:	22526	66506-025
A17J3	131-3323-00		CONN, HDR:	22526	66506-025
A17J4	131-3323-00		CONN, HDR:	22526	66506-025
A17J501	131-0566-00		BUS, CONDUCTOR: DUMMY RES, 0.094 OD X 0.225 L	24546	OMA 07
A17Q400	151-0190-00		TRANSISTOR, SIG: BIPOLAR, NPN; 40V, 200MA, 300MHZ , AMPLIFIER; 2N3904, TO-92 EBC	80009	151-0190-00
A17Q401	151-0190-00		TRANSISTOR, SIG: BIPOLAR, NPN; 40V, 200MA, 300MHZ , AMPLIFIER; 2N3904, TO-92 EBC	80009	151-0190-00
A17Q550	151-0188-00		TRANSISTOR, SIG: BIPOLAR, PNP; 40V, 200MA, 250MHZ , AMPLIFIER; 2N3906, TO-92 EBC	80009	151-0188-00
A17Q551	151-0190-00		TRANSISTOR, SIG: BIPOLAR, NPN; 40V, 200MA, 300MHZ , AMPLIFIER; 2N3904, TO-92 EBC	80009	151-0190-00
A17Q552	151-0405-00		TRANSISTOR: DARLINGTON, NPN, SI, TO-126	80009	151-0405-00
	211-0244-00		*MOUNTING PARTS* SCR, ASSEM WSHR: 4-40 X 0.312, PNH STL	TK0858	211-0244-00
			*END MOUNTING PARTS*		
A17R100	307-0499-00		RES, FXD, FILM: 9, 100K OHM, 5%, 0.125W	91637	CSC10A-01-104G/J
A17R101	307-0499-00		RES, FXD, FILM: 9, 100K OHM, 5%, 0.125W	91637	CSC10A-01-104G/J
A17R102	307-0499-00		RES, FXD, FILM: 9, 100K OHM, 5%, 0.125W	91637	CSC10A-01-104G/J
A17R103	307-0499-00		RES, FXD, FILM: 9, 100K OHM, 5%, 0.125W	91637	CSC10A-01-104G/J
A17R104	307-0499-00		RES, FXD, FILM: 9, 100K OHM, 5%, 0.125W	91637	CSC10A-01-104G/J
A17R105	307-0499-00		RES, FXD, FILM: 9, 100K OHM, 5%, 0.125W	91637	CSC10A-01-104G/J
A17R106	307-0499-00		RES, FXD, FILM: 9, 100K OHM, 5%, 0.125W	91637	CSC10A-01-104G/J
A17R107	307-0499-00		RES, FXD, FILM: 9, 100K OHM, 5%, 0.125W	91637	CSC10A-01-104G/J
A17R108	307-0499-00		RES, FXD, FILM: 9, 100K OHM, 5%, 0.125W	91637	CSC10A-01-104G/J
A17R109	307-0499-00		RES, FXD, FILM: 9, 100K OHM, 5%, 0.125W	91637	CSC10A-01-104G/J
A17R120	315-0101-00		RES, FXD, FILM: 100 OHM, 5%, 0.25W	80009	315-0101-00
A17R121	315-0512-00		RES, FXD, FILM: 5.1K OHM, 5%, 0.25W	80009	315-0512-00
A17R122	315-0102-00		RES, FXD, FILM: 1K OHM, 5%, 0.25W	80009	315-0102-00
A17R123	315-0102-00		RES, FXD, FILM: 1K OHM, 5%, 0.25W	80009	315-0102-00
A17R130	315-0101-00		RES, FXD, FILM: 100 OHM, 5%, 0.25W	80009	315-0101-00
A17R131	315-0512-00		RES, FXD, FILM: 5.1K OHM, 5%, 0.25W	80009	315-0512-00
A17R132	315-0102-00		RES, FXD, FILM: 1K OHM, 5%, 0.25W	80009	315-0102-00
A17R133	315-0102-00		RES, FXD, FILM: 1K OHM, 5%, 0.25W	80009	315-0102-00

TSG 1001 - REPLACEABLE ELECTRICAL PARTS LIST

Component No.	Tektronix Part No.	Serial/Assembly No. Effective	Dscnt	Name & Description	Mfr. Code	Mfr. Part No.
A17R140	307-0499-00			RES, FXD, FILM:9,100K OHM,5%,0.125W	91637	CSC10A-01-104G/J
A17R141	307-0499-00			RES, FXD, FILM:9,100K OHM,5%,0.125W	91637	CSC10A-01-104G/J
A17R200	307-0499-00			RES, FXD, FILM:9,100K OHM,5%,0.125W	91637	CSC10A-01-104G/J
A17R201	307-0499-00			RES, FXD, FILM:9,100K OHM,5%,0.125W	91637	CSC10A-01-104G/J
A17R202	307-0499-00			RES, FXD, FILM:9,100K OHM,5%,0.125W	91637	CSC10A-01-104G/J
A17R203	307-0499-00			RES, FXD, FILM:9,100K OHM,5%,0.125W	91637	CSC10A-01-104G/J
A17R204	307-0499-00			RES, FXD, FILM:9,100K OHM,5%,0.125W	91637	CSC10A-01-104G/J
A17R205	307-0499-00			RES, FXD, FILM:9,100K OHM,5%,0.125W	91637	CSC10A-01-104G/J
A17R206	307-0499-00			RES, FXD, FILM:9,100K OHM,5%,0.125W	91637	CSC10A-01-104G/J
A17R207	307-0499-00			RES, FXD, FILM:9,100K OHM,5%,0.125W	91637	CSC10A-01-104G/J
A17R208	307-0499-00			RES, FXD, FILM:9,100K OHM,5%,0.125W	91637	CSC10A-01-104G/J
A17R209	307-0499-00			RES, FXD, FILM:9,100K OHM,5%,0.125W	91637	CSC10A-01-104G/J
A17R220	315-0101-00			RES, FXD, FILM:100 OHM,5%,0.25W	80009	315-0101-00
A17R221	315-0512-00			RES, FXD, FILM:5.1K OHM,5%,0.25W	80009	315-0512-00
A17R222	315-0102-00			RES, FXD, FILM:1K OHM,5%,0.25W	80009	315-0102-00
A17R223	315-0102-00			RES, FXD, FILM:1K OHM,5%,0.25W	80009	315-0102-00
A17R230	315-0101-00			RES, FXD, FILM:100 OHM,5%,0.25W	80009	315-0101-00
A17R231	315-0512-00			RES, FXD, FILM:5.1K OHM,5%,0.25W	80009	315-0512-00
A17R232	315-0102-00			RES, FXD, FILM:1K OHM,5%,0.25W	80009	315-0102-00
A17R233	315-0102-00			RES, FXD, FILM:1K OHM,5%,0.25W	80009	315-0102-00
A17R240	307-0499-00			RES, FXD, FILM:9,100K OHM,5%,0.125W	91637	CSC10A-01-104G/J
A17R241	307-0499-00			RES, FXD, FILM:9,100K OHM,5%,0.125W	91637	CSC10A-01-104G/J
A17R300	307-0499-00			RES, FXD, FILM:9,100K OHM,5%,0.125W	91637	CSC10A-01-104G/J
A17R301	307-0499-00			RES, FXD, FILM:9,100K OHM,5%,0.125W	91637	CSC10A-01-104G/J
A17R302	307-0499-00			RES, FXD, FILM:9,100K OHM,5%,0.125W	91637	CSC10A-01-104G/J
A17R303	307-0499-00			RES, FXD, FILM:9,100K OHM,5%,0.125W	91637	CSC10A-01-104G/J
A17R304	307-0499-00			RES, FXD, FILM:9,100K OHM,5%,0.125W	91637	CSC10A-01-104G/J
A17R305	307-0499-00			RES, FXD, FILM:9,100K OHM,5%,0.125W	91637	CSC10A-01-104G/J
A17R306	307-0499-00			RES, FXD, FILM:9,100K OHM,5%,0.125W	91637	CSC10A-01-104G/J
A17R307	307-0499-00			RES, FXD, FILM:9,100K OHM,5%,0.125W	91637	CSC10A-01-104G/J
A17R308	307-0499-00			RES, FXD, FILM:9,100K OHM,5%,0.125W	91637	CSC10A-01-104G/J
A17R309	307-0499-00			RES, FXD, FILM:9,100K OHM,5%,0.125W	91637	CSC10A-01-104G/J
A17R320	315-0101-00	671-2028-00	671-2028-00	RES, FXD, FILM:100 OHM,5%,0.25W	80009	315-0101-00
A17R320	322-3069-00	671-2028-01		RES, FXD, FILM:51.1 OHM,1%,0.2W,TC=TO	80009	322-3069-00
A17R321	315-0512-00			RES, FXD, FILM:5.1K OHM,5%,0.25W	80009	315-0512-00
A17R322	315-0102-00			RES, FXD, FILM:1K OHM,5%,0.25W	80009	315-0102-00
A17R323	315-0102-00			RES, FXD, FILM:1K OHM,5%,0.25W	80009	315-0102-00
A17R330	315-0101-00	671-2028-00	671-2028-00	RES, FXD, FILM:100 OHM,5%,0.25W	80009	315-0101-00
A17R330	322-3069-00	671-2028-01		RES, FXD, FILM:51.1 OHM,1%,0.2W,TC=TO	80009	322-3069-00
A17R331	315-0512-00			RES, FXD, FILM:5.1K OHM,5%,0.25W	80009	315-0512-00
A17R332	315-0102-00			RES, FXD, FILM:1K OHM,5%,0.25W	80009	315-0102-00
A17R333	315-0102-00			RES, FXD, FILM:1K OHM,5%,0.25W	80009	315-0102-00
A17R340	307-0499-00			RES, FXD, FILM:9,100K OHM,5%,0.125W	91637	CSC10A-01-104G/J
A17R341	307-0499-00			RES, FXD, FILM:9,100K OHM,5%,0.125W	91637	CSC10A-01-104G/J
A17R400	307-0499-00			RES, FXD, FILM:9,100K OHM,5%,0.125W	91637	CSC10A-01-104G/J
A17R401	307-0499-00			RES, FXD, FILM:9,100K OHM,5%,0.125W	91637	CSC10A-01-104G/J
A17R402	315-0512-00			RES, FXD, FILM:5.1K OHM,5%,0.25W	80009	315-0512-00
A17R403	315-0512-00			RES, FXD, FILM:5.1K OHM,5%,0.25W	80009	315-0512-00
A17R404	315-0512-00			RES, FXD, FILM:5.1K OHM,5%,0.25W	80009	315-0512-00
A17R405	315-0512-00			RES, FXD, FILM:5.1K OHM,5%,0.25W	80009	315-0512-00
A17R406	315-0512-00			RES, FXD, FILM:5.1K OHM,5%,0.25W	80009	315-0512-00
A17R407	307-0499-00			RES, FXD, FILM:9,100K OHM,5%,0.125W	91637	CSC10A-01-104G/J
A17R409	307-0499-00			RES, FXD, FILM:9,100K OHM,5%,0.125W	91637	CSC10A-01-104G/J
A17R410	307-0499-00			RES, FXD, FILM:9,100K OHM,5%,0.125W	91637	CSC10A-01-104G/J
A17R500	315-0101-00			RES, FXD, FILM:100 OHM,5%,0.25W	80009	315-0101-00
A17R501	315-0101-00			RES, FXD, FILM:100 OHM,5%,0.25W	80009	315-0101-00
A17R505	315-0101-00			RES, FXD, FILM:100 OHM,5%,0.25W	80009	315-0101-00
A17R506	315-0101-00			RES, FXD, FILM:100 OHM,5%,0.25W	80009	315-0101-00
A17R507	315-0101-00			RES, FXD, FILM:100 OHM,5%,0.25W	80009	315-0101-00



Component No.	Tektronix Part No.	Serial/Assembly No. Effective Dscnt	Name & Description	Mfr. Code	Mfr. Part No.
A17R509	315-0101-00		RES,FXD,FILM:100 OHM,5%,0.25W	80009	315-0101-00
A17R515	315-0101-00		RES,FXD,FILM:100 OHM,5%,0.25W	80009	315-0101-00
A17R516	315-0101-00		RES,FXD,FILM:100 OHM,5%,0.25W	80009	315-0101-00
A17R517	315-0101-00		RES,FXD,FILM:100 OHM,5%,0.25W	80009	315-0101-00
A17R518	315-0101-00		RES,FXD,FILM:100 OHM,5%,0.25W	80009	315-0101-00
A17R520	322-3097-00		RES,FXD,FILM:100 OHM,1%,0.2W,TC=TO	57668	CRB20 FXE 100E
A17R521	322-3097-00		RES,FXD,FILM:100 OHM,1%,0.2W,TC=TO	57668	CRB20 FXE 100E
A17R522	322-3097-00		RES,FXD,FILM:100 OHM,1%,0.2W,TC=TO	57668	CRB20 FXE 100E
A17R523	322-3097-00		RES,FXD,FILM:100 OHM,1%,0.2W,TC=TO	57668	CRB20 FXE 100E
A17R530	322-3097-00		RES,FXD,FILM:100 OHM,1%,0.2W,TC=TO	57668	CRB20 FXE 100E
A17R531	322-3097-00		RES,FXD,FILM:100 OHM,1%,0.2W,TC=TO	57668	CRB20 FXE 100E
A17R532	322-3097-00		RES,FXD,FILM:100 OHM,1%,0.2W,TC=TO	57668	CRB20 FXE 100E
A17R533	322-3097-00		RES,FXD,FILM:100 OHM,1%,0.2W,TC=TO	57668	CRB20 FXE 100E
A17R534	322-3097-00		RES,FXD,FILM:100 OHM,1%,0.2W,TC=TO	57668	CRB20 FXE 100E
A17R535	322-3097-00		RES,FXD,FILM:100 OHM,1%,0.2W,TC=TO	57668	CRB20 FXE 100E
A17R540	322-3097-00		RES,FXD,FILM:100 OHM,1%,0.2W,TC=TO	57668	CRB20 FXE 100E
A17R541	322-3097-00		RES,FXD,FILM:100 OHM,1%,0.2W,TC=TO	57668	CRB20 FXE 100E
A17R542	322-3097-00		RES,FXD,FILM:100 OHM,1%,0.2W,TC=TO	57668	CRB20 FXE 100E
A17R543	322-3097-00		RES,FXD,FILM:100 OHM,1%,0.2W,TC=TO	57668	CRB20 FXE 100E
A17R544	315-0101-00		RES,FXD,FILM:100 OHM,5%,0.25W	80009	315-0101-00
A17R550	315-0102-00		RES,FXD,FILM:1K OHM,5%,0.25W	80009	315-0102-00
A17R551	315-0512-00		RES,FXD,FILM:5.1K OHM,5%,0.25W	80009	315-0512-00
A17R552	315-0512-00		RES,FXD,FILM:5.1K OHM,5%,0.25W	80009	315-0512-00
A17R553	315-0302-00		RES,FXD,FILM:3K OHM,5%,0.25W	80009	315-0302-00
A17R554	301-0620-01		RES,FXD,CMPSN:62 OHM,5%,0.5W	80009	301-0620-01
A17R556	322-3385-00		RES,FXD,FILM:100K OHM,1%,0.2W,TC=TO	57668	CRB20 FXE 100K
A17R557	322-3414-00		RES,FXD,FILM:200K OHM,1%,0.2W,TC=TO	91637	CCF501G20002F
A17R558	322-3385-00		RES,FXD,FILM:100K OHM,1%,0.2W,TC=TO	57668	CRB20 FXE 100K
A17R559	322-3152-00		RES,FXD,FILM:374 OHM,1%,0.2W,TC=TO	57668	CRB20 FXE 374E
A17R600	315-0512-00		RES,FXD,FILM:5.1K OHM,5%,0.25W	80009	315-0512-00
A17R602	307-0499-00		RES,FXD,FILM:9,100K OHM,5%,0.125W	91637	CSC10A-01-104G/J
A17R604	307-0499-00		RES,FXD,FILM:9,100K OHM,5%,0.125W	91637	CSC10A-01-104G/J
A17R606	307-0499-00		RES,FXD,FILM:9,100K OHM,5%,0.125W	91637	CSC10A-01-104G/J
A17R608	307-0499-00		RES,FXD,FILM:9,100K OHM,5%,0.125W	91637	CSC10A-01-104G/J
A17R610	307-0499-00		RES,FXD,FILM:9,100K OHM,5%,0.125W	91637	CSC10A-01-104G/J
A17R700	307-0499-00		RES,FXD,FILM:9,100K OHM,5%,0.125W	91637	CSC10A-01-104G/J
A17R701	315-0512-00		RES,FXD,FILM:5.1K OHM,5%,0.25W	80009	315-0512-00
A17R702	307-0499-00		RES,FXD,FILM:9,100K OHM,5%,0.125W	91637	CSC10A-01-104G/J
A17R704	307-0499-00		RES,FXD,FILM:9,100K OHM,5%,0.125W	91637	CSC10A-01-104G/J
A17R706	307-0499-00		RES,FXD,FILM:9,100K OHM,5%,0.125W	91637	CSC10A-01-104G/J
A17R707	307-0499-00		RES,FXD,FILM:9,100K OHM,5%,0.125W	91637	CSC10A-01-104G/J
A17R708	307-0499-00		RES,FXD,FILM:9,100K OHM,5%,0.125W	91637	CSC10A-01-104G/J
A17TP100	214-4085-00		TERM,TEST POINT:0.070 ID,0.220 H,0.063 DIA PCB,0.015 X 0.032 BRASS,W/ RED NYLON COLLAR	26364	104-01-02
A17TP101	214-4085-00		TERM,TEST POINT:0.070 ID,0.220 H,0.063 DIA PCB,0.015 X 0.032 BRASS,W/ RED NYLON COLLAR	26364	104-01-02
A17TP102	214-4085-00		TERM,TEST POINT:0.070 ID,0.220 H,0.063 DIA PCB,0.015 X 0.032 BRASS,W/ RED NYLON COLLAR	26364	104-01-02
A17TP103	214-4085-00		TERM,TEST POINT:0.070 ID,0.220 H,0.063 DIA PCB,0.015 X 0.032 BRASS,W/ RED NYLON COLLAR	26364	104-01-02
A17TP104	214-4085-00		TERM,TEST POINT:0.070 ID,0.220 H,0.063 DIA PCB,0.015 X 0.032 BRASS,W/ RED NYLON COLLAR	26364	104-01-02
A17TP105	214-4085-00		TERM,TEST POINT:0.070 ID,0.220 H,0.063 DIA PCB,0.015 X 0.032 BRASS,W/ RED NYLON COLLAR	26364	104-01-02
A17U100	156-4026-00		IC,MEMORY:CMOS,SRAM;32K X 8,45NS,50UA STBY; ,DIP28.3	80009	156-4026-00
A17U101	156-4026-00		IC,MEMORY:CMOS,SRAM;32K X 8,45NS,50UA STBY; ,DIP28.3	80009	156-4026-00

TSG 1001 - REPLACEABLE ELECTRICAL PARTS LIST

Component No.	Tektronix Part No.	Serial/Assembly No. Effective Dscont	Name & Description	Mfr. Code	Mfr. Part No.
A17U102	156-4026-00		IC, MEMORY: CMOS, SRAM; 32K X 8, 45NS, 50UA STBY; ,DIP28.3	80009	156-4026-00
A17U103	156-4026-00		IC, MEMORY: CMOS, SRAM; 32K X 8, 45NS, 50UA STBY; ,DIP28.3	80009	156-4026-00
A17U104	156-4026-00		IC, MEMORY: CMOS, SRAM; 32K X 8, 45NS, 50UA STBY; ,DIP28.3	80009	156-4026-00
A17U105	156-4026-00		IC, MEMORY: CMOS, SRAM; 32K X 8, 45NS, 50UA STBY; ,DIP28.3	80009	156-4026-00
A17U106	156-4026-00		IC, MEMORY: CMOS, SRAM; 32K X 8, 45NS, 50UA STBY; ,DIP28.3	80009	156-4026-00
A17U107	156-4026-00		IC, MEMORY: CMOS, SRAM; 32K X 8, 45NS, 50UA STBY; ,DIP28.3	80009	156-4026-00
A17U108	156-4026-00		IC, MEMORY: CMOS, SRAM; 32K X 8, 45NS, 50UA STBY; ,DIP28.3	80009	156-4026-00
A17U109	156-4026-00		IC, MEMORY: CMOS, SRAM; 32K X 8, 45NS, 50UA STBY; ,DIP28.3	80009	156-4026-00
A17U110	156-1111-02		IC, DIGITAL: LSTTL, TRANSCEIVER; DUPLICATE OF 1 56-1111-00; 74LS245, DIP20.3, TUBE	80009	156-1111-02
A17U111	156-1111-02		IC, DIGITAL: LSTTL, TRANSCEIVER; DUPLICATE OF 1 56-1111-00; 74LS245, DIP20.3, TUBE	80009	156-1111-02
A17U112	156-1111-02		IC, DIGITAL: LSTTL, TRANSCEIVER; DUPLICATE OF 1 56-1111-00; 74LS245, DIP20.3, TUBE	80009	156-1111-02
A17U113	156-1111-02		IC, DIGITAL: LSTTL, TRANSCEIVER; DUPLICATE OF 1 56-1111-00; 74LS245, DIP20.3, TUBE	80009	156-1111-02
A17U114	156-1111-02		IC, DIGITAL: LSTTL, TRANSCEIVER; DUPLICATE OF 1 56-1111-00; 74LS245, DIP20.3, TUBE	80009	156-1111-02
A17U115	156-1111-02		IC, DIGITAL: LSTTL, TRANSCEIVER; DUPLICATE OF 1 56-1111-00; 74LS245, DIP20.3, TUBE	80009	156-1111-02
A17U116	156-1111-02		IC, DIGITAL: LSTTL, TRANSCEIVER; DUPLICATE OF 1 56-1111-00; 74LS245, DIP20.3, TUBE	80009	156-1111-02
A17U117	156-1111-02		IC, DIGITAL: LSTTL, TRANSCEIVER; DUPLICATE OF 1 56-1111-00; 74LS245, DIP20.3, TUBE	80009	156-1111-02
A17U118	156-1111-02		IC, DIGITAL: LSTTL, TRANSCEIVER; DUPLICATE OF 1 56-1111-00; 74LS245, DIP20.3, TUBE	80009	156-1111-02
A17U119	156-1111-02		IC, DIGITAL: LSTTL, TRANSCEIVER; DUPLICATE OF 1 56-1111-00; 74LS245, DIP20.3, TUBE	80009	156-1111-02
A17U120	156-3775-00		IC, DIGITAL: ECL, REGISTER; 40-BIT MULTI-TAP VI DEO SHIFT REGISTER, 250MHZ; BT424KG, PGA68 *MOUNTING PARTS*	80009	156-3775-00
	136-1034-00		SKT, PL-IN ELEK: 11 X 11, 68 PGA, 0.125 TAIL	63058	PGA68H003B11132T
	214-4321-00		HEAT SINK, ELEC: ALUMINUM	80009	214-4321-00
	214-4392-00		HEAT SINK: FRAME & SPRING *END MOUNTING PARTS*	80009	214-4392-00
A17U130	156-3775-00		IC, DIGITAL: ECL, REGISTER; 40-BIT MULTI-TAP VI DEO SHIFT REGISTER, 250MHZ; BT424KG, PGA68 *MOUNTING PARTS*	80009	156-3775-00
	136-1034-00		SKT, PL-IN ELEK: 11 X 11, 68 PGA, 0.125 TAIL	63058	PGA68H003B11132T
	214-4321-00		HEAT SINK, ELEC: ALUMINUM	80009	214-4321-00
	214-4392-00		HEAT SINK: FRAME & SPRING *END MOUNTING PARTS*	80009	214-4392-00
A17U140	156-1704-01		IC, DIGITAL: FTTL, FLIP FLOP; OCTAL D, 3-STATE; 74F374, DIP20.3, TUBE, SELECTED VENDOR	80009	156-1704-01
A17U141	156-1704-01		IC, DIGITAL: FTTL, FLIP FLOP; OCTAL D, 3-STATE; 74F374, DIP20.3, TUBE, SELECTED VENDOR	80009	156-1704-01
A17U200	156-4026-00		IC, MEMORY: CMOS, SRAM; 32K X 8, 45NS, 50UA STBY; ,DIP28.3	80009	156-4026-00
A17U201	156-4026-00		IC, MEMORY: CMOS, SRAM; 32K X 8, 45NS, 50UA STBY; ,DIP28.3	80009	156-4026-00
A17U202	156-4026-00		IC, MEMORY: CMOS, SRAM; 32K X 8, 45NS, 50UA STBY; ,DIP28.3	80009	156-4026-00

Component No.	Tektronix Part No.	Serial/Assembly No. Effective Dscnt	Name & Description	Mfr. Code	Mfr. Part No.
A17U203	156-4026-00		IC, MEMORY: CMOS, SRAM; 32K X 8, 45NS, 50UA STBY; ,DIP28.3	80009	156-4026-00
A17U204	156-4026-00		IC, MEMORY: CMOS, SRAM; 32K X 8, 45NS, 50UA STBY; ,DIP28.3	80009	156-4026-00
A17U205	156-4026-00		IC, MEMORY: CMOS, SRAM; 32K X 8, 45NS, 50UA STBY; ,DIP28.3	80009	156-4026-00
A17U206	156-4026-00		IC, MEMORY: CMOS, SRAM; 32K X 8, 45NS, 50UA STBY; ,DIP28.3	80009	156-4026-00
A17U207	156-4026-00		IC, MEMORY: CMOS, SRAM; 32K X 8, 45NS, 50UA STBY; ,DIP28.3	80009	156-4026-00
A17U208	156-4026-00		IC, MEMORY: CMOS, SRAM; 32K X 8, 45NS, 50UA STBY; ,DIP28.3	80009	156-4026-00
A17U209	156-4026-00		IC, MEMORY: CMOS, SRAM; 32K X 8, 45NS, 50UA STBY; ,DIP28.3	80009	156-4026-00
A17U210	156-1111-02		IC, DIGITAL: LSTTL, TRANSCEIVER; DUPLICATE OF 1 56-1111-00; 74LS245, DIP20.3, TUBE	80009	156-1111-02
A17U211	156-1111-02		IC, DIGITAL: LSTTL, TRANSCEIVER; DUPLICATE OF 1 56-1111-00; 74LS245, DIP20.3, TUBE	80009	156-1111-02
A17U212	156-1111-02		IC, DIGITAL: LSTTL, TRANSCEIVER; DUPLICATE OF 1 56-1111-00; 74LS245, DIP20.3, TUBE	80009	156-1111-02
A17U213	156-1111-02		IC, DIGITAL: LSTTL, TRANSCEIVER; DUPLICATE OF 1 56-1111-00; 74LS245, DIP20.3, TUBE	80009	156-1111-02
A17U214	156-1111-02		IC, DIGITAL: LSTTL, TRANSCEIVER; DUPLICATE OF 1 56-1111-00; 74LS245, DIP20.3, TUBE	80009	156-1111-02
A17U215	156-1111-02		IC, DIGITAL: LSTTL, TRANSCEIVER; DUPLICATE OF 1 56-1111-00; 74LS245, DIP20.3, TUBE	80009	156-1111-02
A17U216	156-1111-02		IC, DIGITAL: LSTTL, TRANSCEIVER; DUPLICATE OF 1 56-1111-00; 74LS245, DIP20.3, TUBE	80009	156-1111-02
A17U217	156-1111-02		IC, DIGITAL: LSTTL, TRANSCEIVER; DUPLICATE OF 1 56-1111-00; 74LS245, DIP20.3, TUBE	80009	156-1111-02
A17U218	156-1111-02		IC, DIGITAL: LSTTL, TRANSCEIVER; DUPLICATE OF 1 56-1111-00; 74LS245, DIP20.3, TUBE	80009	156-1111-02
A17U219	156-1111-02		IC, DIGITAL: LSTTL, TRANSCEIVER; DUPLICATE OF 1 56-1111-00; 74LS245, DIP20.3, TUBE	80009	156-1111-02
A17U220	156-3775-00		IC, DIGITAL: ECL, REGISTER; 40-BIT MULTI-TAP VI DEO SHIFT REGISTER, 250MHZ; BT424KG, PGA68	80009	156-3775-00
			*MOUNTING PARTS*		
	136-1034-00		SKT, PL-IN ELEK: 11 X 11, 68 PGA, 0.125 TAIL	63058	PGA68H003B11132T
	214-4321-00		HEAT SINK, ELEC: ALUMINUM	80009	214-4321-00
	214-4392-00		HEAT SINK: FRAME & SPRING	80009	214-4392-00
			*END MOUNTING PARTS*		
A17U230	156-3775-00		IC, DIGITAL: ECL, REGISTER; 40-BIT MULTI-TAP VI DEO SHIFT REGISTER, 250MHZ; BT424KG, PGA68	80009	156-3775-00
			*MOUNTING PARTS*		
	136-1034-00		SKT, PL-IN ELEK: 11 X 11, 68 PGA, 0.125 TAIL	63058	PGA68H003B11132T
	214-4321-00		HEAT SINK, ELEC: ALUMINUM	80009	214-4321-00
	214-4392-00		HEAT SINK: FRAME & SPRING	80009	214-4392-00
			*END MOUNTING PARTS*		
A17U240	156-1704-01		IC, DIGITAL: FTTL, FLIP FLOP; OCTAL D, 3-STATE; 74F374, DIP20.3, TUBE, SELECTED VENDOR	80009	156-1704-01
A17U241	156-1704-01		IC, DIGITAL: FTTL, FLIP FLOP; OCTAL D, 3-STATE; 74F374, DIP20.3, TUBE, SELECTED VENDOR	80009	156-1704-01
A17U300	156-4026-00		IC, MEMORY: CMOS, SRAM; 32K X 8, 45NS, 50UA STBY; ,DIP28.3	80009	156-4026-00
A17U301	156-4026-00		IC, MEMORY: CMOS, SRAM; 32K X 8, 45NS, 50UA STBY; ,DIP28.3	80009	156-4026-00
A17U302	156-4026-00		IC, MEMORY: CMOS, SRAM; 32K X 8, 45NS, 50UA STBY; ,DIP28.3	80009	156-4026-00
A17U303	156-4026-00		IC, MEMORY: CMOS, SRAM; 32K X 8, 45NS, 50UA STBY; ,DIP28.3	80009	156-4026-00

TSG 1001 - REPLACEABLE ELECTRICAL PARTS LIST

Component No.	Tektronix Part No.	Serial/Assembly No. Effective Dscnt	Name & Description	Mfr. Code	Mfr. Part No.
A17U304	156-4026-00		IC, MEMORY: CMOS, SRAM; 32K X 8, 45NS, 50UA STBY; ,DIP28.3	80009	156-4026-00
A17U305	156-4026-00		IC, MEMORY: CMOS, SRAM; 32K X 8, 45NS, 50UA STBY; ,DIP28.3	80009	156-4026-00
A17U306	156-4026-00		IC, MEMORY: CMOS, SRAM; 32K X 8, 45NS, 50UA STBY; ,DIP28.3	80009	156-4026-00
A17U307	156-4026-00		IC, MEMORY: CMOS, SRAM; 32K X 8, 45NS, 50UA STBY; ,DIP28.3	80009	156-4026-00
A17U308	156-4026-00		IC, MEMORY: CMOS, SRAM; 32K X 8, 45NS, 50UA STBY; ,DIP28.3	80009	156-4026-00
A17U309	156-4026-00		IC, MEMORY: CMOS, SRAM; 32K X 8, 45NS, 50UA STBY; ,DIP28.3	80009	156-4026-00
A17U310	156-1111-02		IC, DIGITAL: LSTTL, TRANSCEIVER; DUPLICATE OF 1 56-1111-00; 74LS245, DIP20.3, TUBE	80009	156-1111-02
A17U311	156-1111-02		IC, DIGITAL: LSTTL, TRANSCEIVER; DUPLICATE OF 1 56-1111-00; 74LS245, DIP20.3, TUBE	80009	156-1111-02
A17U312	156-1111-02		IC, DIGITAL: LSTTL, TRANSCEIVER; DUPLICATE OF 1 56-1111-00; 74LS245, DIP20.3, TUBE	80009	156-1111-02
A17U313	156-1111-02		IC, DIGITAL: LSTTL, TRANSCEIVER; DUPLICATE OF 1 56-1111-00; 74LS245, DIP20.3, TUBE	80009	156-1111-02
A17U314	156-1111-02		IC, DIGITAL: LSTTL, TRANSCEIVER; DUPLICATE OF 1 56-1111-00; 74LS245, DIP20.3, TUBE	80009	156-1111-02
A17U315	156-1111-02		IC, DIGITAL: LSTTL, TRANSCEIVER; DUPLICATE OF 1 56-1111-00; 74LS245, DIP20.3, TUBE	80009	156-1111-02
A17U316	156-1111-02		IC, DIGITAL: LSTTL, TRANSCEIVER; DUPLICATE OF 1 56-1111-00; 74LS245, DIP20.3, TUBE	80009	156-1111-02
A17U317	156-1111-02		IC, DIGITAL: LSTTL, TRANSCEIVER; DUPLICATE OF 1 56-1111-00; 74LS245, DIP20.3, TUBE	80009	156-1111-02
A17U318	156-1111-02		IC, DIGITAL: LSTTL, TRANSCEIVER; DUPLICATE OF 1 56-1111-00; 74LS245, DIP20.3, TUBE	80009	156-1111-02
A17U319	156-1111-02		IC, DIGITAL: LSTTL, TRANSCEIVER; DUPLICATE OF 1 56-1111-00; 74LS245, DIP20.3, TUBE	80009	156-1111-02
A17U320	156-3775-00		IC, DIGITAL: ECL, REGISTER; 40-BIT MULTI-TAP VI DEO SHIFT REGISTER, 250MHZ; BT424KG, PGA68 *MOUNTING PARTS*	80009	156-3775-00
	136-1034-00		SKT, PL-IN ELEK: 11 X 11, 68 PGA, 0.125 TAIL	63058	PGA68H003B11132T
	214-4321-00		HEAT SINK, ELEC: ALUMINUM	80009	214-4321-00
	214-4392-00		HEAT SINK: FRAME & SPRING *END MOUNTING PARTS*	80009	214-4392-00
A17U330	156-3775-00		IC, DIGITAL: ECL, REGISTER; 40-BIT MULTI-TAP VI DEO SHIFT REGISTER, 250MHZ; BT424KG, PGA68 *MOUNTING PARTS*	80009	156-3775-00
	214-4321-00		HEAT SINK, ELEC: ALUMINUM	80009	214-4321-00
	214-4392-00		HEAT SINK: FRAME & SPRING *END MOUNTING PARTS*	80009	214-4392-00
A17U340	156-1704-01		IC, DIGITAL: FTTL, FLIP FLOP; OCTAL D, 3-STATE; 74F374, DIP20.3, TUBE, SELECTED VENDOR	80009	156-1704-01
A17U341	156-1704-01		IC, DIGITAL: FTTL, FLIP FLOP; OCTAL D, 3-STATE; 74F374, DIP20.3, TUBE, SELECTED VENDOR	80009	156-1704-01
A17U400	156-1111-02		IC, DIGITAL: LSTTL, TRANSCEIVER; DUPLICATE OF 1 56-1111-00; 74LS245, DIP20.3, TUBE	80009	156-1111-02
A17U401	156-0982-03		IC, DIGITAL: LSTTL, FLIP FLOP; DUPLICATE OF 156 -0982-00; 74LS374, DIP20.3, TUBE	80009	156-0982-03
A17U402	156-0956-02		IC, DIGITAL: LSTTL, BUFFER/DRIVER; DUPLICATE OF 156-0956-00; 74LS244, DIP20.3, TUBE	80009	156-0956-02
A17U403	156-0956-02		IC, DIGITAL: LSTTL, BUFFER/DRIVER; DUPLICATE OF 156-0956-00; 74LS244, DIP20.3, TUBE	80009	156-0956-02
A17U404	160-7031-00		MICROCKT, DCTL: STTL, PLD, 20 IN, 10 OUT; PAL20L1 0A, DIP24.3 *MOUNTING PARTS*	80009	160-7031-00

Component No.	Tektronix Part No.	Serial/Assembly No. Effective Dscont	Name & Description	Mfr. Code	Mfr. Part No.
	136-0925-00		SOCKET,DIP:: *END MOUNTING PARTS*	91506	224-AG30D
A17U405	160-7032-00		MICROCKT,DGTL:STTL,PLD,20 IN,10 OUT;PAL20L1 0A,DIP24.3 *MOUNTING PARTS*	80009	160-7032-00
	136-0925-00		SOCKET,DIP:: *END MOUNTING PARTS*	91506	224-AG30D
A17U406	160-7033-02		MICROCKT,DGTL:PROGRAMMABLE ARRAY LOGIC,22V1 0,DIP24 *MOUNTING PARTS*	80009	160-7033-02
	136-0925-00		SOCKET,DIP:: *END MOUNTING PARTS*	91506	224-AG30D
A17U407	160-7034-00		MICROCKT,DGTL:STTL,PLD,20 IN,10 OUT;PAL20L1 0A,DIP24.3 *MOUNTING PARTS*	80009	160-7034-00
	136-0925-00		SOCKET,DIP:: *END MOUNTING PARTS*	91506	224-AG30D
A17U408	160-7035-00		MICROCKT,DGTL:STTL,PLD,20 IN,10 OUT;PAL20L1 0A,DIP24.3 *MOUNTING PARTS*	80009	160-7035-00
	136-0925-00		SOCKET,DIP:: *END MOUNTING PARTS*	91506	224-AG30D
A17U409	156-1920-00		IC,DIGITAL:HCTCMOS,BUFFER;OCTAL, BUFFER/DRI VER, 3-STATE;74HCT244,DIP20.3,TUBE	18324	74HCT244N-B
A17U410	156-1920-00		IC,DIGITAL:HCTCMOS,BUFFER;OCTAL, BUFFER/DRI VER, 3-STATE;74HCT244,DIP20.3,TUBE	18324	74HCT244N-B
A17U411	156-1724-00		IC,DIGITAL:FTTL,GATES;QUAD 2-INPUT OR;74F32 ,DIP14.3,TUBE	04713	MC74F32ND
A17U412	156-1724-00		IC,DIGITAL:FTTL,GATES;QUAD 2-INPUT OR;74F32 ,DIP14.3,TUBE	04713	MC74F32ND
A17U413	156-0388-03		IC,DIGITAL:LSTTL,FLIP FLOP;DUPLICATE OF 156 -0388-00;74LS74,DIP14.3,TUBE	80009	156-0388-03
A17U414	156-1724-00		IC,DIGITAL:FTTL,GATES;QUAD 2-INPUT OR;74F32 ,DIP14.3,TUBE	04713	MC74F32ND
A17U500	156-1640-00		IC,DIGITAL:ECL,RECEIVER;TRIPLE LINE;10H116, DIP16.3,TUBE	80009	156-1640-00
A17U501	160-8054-01		IC,DIGITAL:PROGRAMMED,156-4016-00,CY10E301	80009	160-8054-01
A17U502	156-0920-01		IC,DIGITAL:ECL,DEMUX/DECODER;BINARY TO 1 OF 8 DECODER, LOW;10161,DIP16.3,TUBE,SCRN	07263	F10161DCQR
A17U503	156-0543-00		IC,DIGITAL:ECL,BUFFER;HEX, WITH ENABLE;1018 8,DIP16.3,TUBE	18324	10188N
A17U504	156-2290-00		IC,DIGITAL:ECL,TRANSLATOR;QUAD ECL-TO-TTL;1 0H125,DIP16.3,TUBE	80009	156-2290-00
A17U505	156-1640-00		IC,DIGITAL:ECL,RECEIVER;TRIPLE LINE;10H116, DIP16.3,TUBE	80009	156-1640-00
A17U506	156-1640-00		IC,DIGITAL:ECL,RECEIVER;TRIPLE LINE;10H116, DIP16.3,TUBE	80009	156-1640-00
A17U507	156-2114-00		IC,DIGITAL:ECL,RECEIVER;QUAD LINE;10H115,DI P16.3,TUBE	80009	156-2114-00
A17U550	156-2489-00		IC,CONVERTER:TTL,A/D;8-BIT,3US,SAR,SERIAL I /O;ADCO831,DIP8.3	80009	156-2489-00
A17U551	156-1173-00		IC,LINEAR:BIPOLAR,VOLTAGE REFERENCE;POSITIV E,2.5V,1.0%,40PPM,SERIES;MC1403U,DIP08.3	80009	156-1173-00
A17U600	156-0982-03		IC,DIGITAL:LSTTL,FLIP FLOP;DUPLICATE OF 156 -0982-00;74LS374,DIP20.3,TUBE	80009	156-0982-03
A17U601	156-0982-03		IC,DIGITAL:LSTTL,FLIP FLOP;DUPLICATE OF 156 -0982-00;74LS374,DIP20.3,TUBE	80009	156-0982-03
A17U602	156-1935-00		IC,DIGITAL:FTTL,COUNTER;SYNCH 4-BIT BINARY; 74F163,DIP16.3,TUBE,SCRN	80009	156-1935-00

TSG 1001 - REPLACEABLE ELECTRICAL PARTS LIST

Component No.	Tektronix Part No.	Serial/Assembly No. Effective Discnt	Name & Description	Mfr. Code	Mfr. Part No.
A17U603	156-1935-00		IC,DIGITAL:FTTL,COUNTER;SYNCH 4-BIT BINARY; 74F163,DIP16.3,TUBE,SCRN	80009	156-1935-00
A17U604	156-1935-00		IC,DIGITAL:FTTL,COUNTER;SYNCH 4-BIT BINARY; 74F163,DIP16.3,TUBE,SCRN	80009	156-1935-00
A17U605	156-1935-00		IC,DIGITAL:FTTL,COUNTER;SYNCH 4-BIT BINARY; 74F163,DIP16.3,TUBE,SCRN	80009	156-1935-00
A17U606	156-1111-02		IC,DIGITAL:LSTTL,TRANSCEIVER;DUPLICATE OF 1 56-1111-00;74LS245,DIP20.3,TUBE	80009	156-1111-02
A17U607	156-3477-00		IC,MEMORY:CMOS,SRAM;32K X 8,85NS,OE;,DIP28.6	80009	156-3477-00
A17U608	156-1111-02		IC,DIGITAL:LSTTL,TRANSCEIVER;DUPLICATE OF 1 56-1111-00;74LS245,DIP20.3,TUBE	80009	156-1111-02
A17U609	156-3477-00		IC,MEMORY:CMOS,SRAM;32K X 8,85NS,OE;,DIP28.6	80009	156-3477-00
A17U610	156-1111-02		IC,DIGITAL:LSTTL,TRANSCEIVER;DUPLICATE OF 1 56-1111-00;74LS245,DIP20.3,TUBE	80009	156-1111-02
A17U611	156-3477-00		IC,MEMORY:CMOS,SRAM;32K X 8,85NS,OE;,DIP28.6	80009	156-3477-00
A17U612	156-1724-00		IC,DIGITAL:FTTL,GATES;QUAD 2-INPUT OR;74F32 ,DIP14.3,TUBE	04713	MC74F32ND
A17U613	156-2436-00		IC,DIGITAL:HCTCMOS,GATE;QUAD 2-INPUT OR;74H CT32,DIP14.3,TUBE	02735	CD74HCT32E
A17U614	156-2436-00		IC,DIGITAL:HCTCMOS,GATE;QUAD 2-INPUT OR;74H CT32,DIP14.3,TUBE	02735	CD74HCT32E
A17U617	156-3477-00		IC,MEMORY:CMOS,SRAM;32K X 8,85NS,OE;,DIP28.6	80009	156-3477-00
A17U619	156-3477-00		IC,MEMORY:CMOS,SRAM;32K X 8,85NS,OE;,DIP28.6	80009	156-3477-00
A17U621	156-3477-00		IC,MEMORY:CMOS,SRAM;32K X 8,85NS,OE;,DIP28.6	80009	156-3477-00
A17U700	156-1935-00		IC,DIGITAL:FTTL,COUNTER;SYNCH 4-BIT BINARY; 74F163,DIP16.3,TUBE,SCRN	80009	156-1935-00
A17U701	156-1935-00		IC,DIGITAL:FTTL,COUNTER;SYNCH 4-BIT BINARY; 74F163,DIP16.3,TUBE,SCRN	80009	156-1935-00
A17U702	156-1935-00		IC,DIGITAL:FTTL,COUNTER;SYNCH 4-BIT BINARY; 74F163,DIP16.3,TUBE,SCRN	80009	156-1935-00
A17U703	156-1935-00		IC,DIGITAL:FTTL,COUNTER;SYNCH 4-BIT BINARY; 74F163,DIP16.3,TUBE,SCRN	80009	156-1935-00
A17U704	156-1111-02		IC,DIGITAL:LSTTL,TRANSCEIVER;DUPLICATE OF 1 56-1111-00;74LS245,DIP20.3,TUBE	80009	156-1111-02
A17U705	156-4026-00		IC,MEMORY:CMOS,SRAM;32K X 8,45NS,50UA STBY; ,DIP28.3	80009	156-4026-00
A17U706	156-1111-02		IC,DIGITAL:LSTTL,TRANSCEIVER;DUPLICATE OF 1 56-1111-00;74LS245,DIP20.3,TUBE	80009	156-1111-02
A17U707	156-3477-00		IC,MEMORY:CMOS,SRAM;32K X 8,85NS,OE;,DIP28.6	80009	156-3477-00
A17U903	156-1639-00		IC,DIGITAL:ECL,FLIP FLOP;DUAL MASTER-SLAVE; 10H131,DIP16.3	80009	156-1639-00
A17W500	131-0566-00		BUS,CONDUCTOR:DUMMY RES,0.094 OD X 0.225 L	24546	OMA 07
A17W501	131-0566-00		BUS,CONDUCTOR:DUMMY RES,0.094 OD X 0.225 L	24546	OMA 07
A17W510	131-0566-00		BUS,CONDUCTOR:DUMMY RES,0.094 OD X 0.225 L	24546	OMA 07
A17W511	131-0566-00		BUS,CONDUCTOR:DUMMY RES,0.094 OD X 0.225 L	24546	OMA 07
A17A1	671-1995-00		CIRCUIT BD ASSY:LINE EXTENDER (OPTION 07 ONLY)	80009	671-1995-00
A17A1C260	281-0775-01		CAP,FXD,CER DI:0.1UF,20%,50V	04222	SA105E104MAA
A17A1C261	281-0775-01		CAP,FXD,CER DI:0.1UF,20%,50V	04222	SA105E104MAA
A17A1C262	281-0775-01		CAP,FXD,CER DI:0.1UF,20%,50V	04222	SA105E104MAA
A17A1C263	281-0775-01		CAP,FXD,CER DI:0.1UF,20%,50V	04222	SA105E104MAA
A17A1C264	281-0775-01		CAP,FXD,CER DI:0.1UF,20%,50V	04222	SA105E104MAA

Component No.	Tektronix Part No.	Serial/Assembly No. Effective Dscont	Name & Description	Mfr. Code	Mfr. Part No.
A17A1C265	281-0775-01		CAP, FXD, CER DI: 0.1UF, 20%, 50V	04222	SA105E104MAA
A17A1C266	281-0775-01		CAP, FXD, CER DI: 0.1UF, 20%, 50V	04222	SA105E104MAA
A17A1J520	131-0787-00		TERMINAL, PIN: (QUANTITY 2)	80009	131-0787-00
A17A1J521	131-5154-00		CONN, BOX::	27264	22-17-3032
A17A1J522	131-0787-00		TERMINAL, PIN: (QUANTITY 3)	80009	131-0787-00
A17A1J523	131-5154-00		CONN, BOX::	27264	22-17-3032
A17A1R502	307-0486-00		RES NTWK, FXD, FI: 100 OHM, 20%, 1.125W	80009	307-0486-00
A17A1R504	307-0486-00		RES NTWK, FXD, FI: 100 OHM, 20%, 1.125W	80009	307-0486-00
A17A1U508	160-8054-01		IC, DIGITAL: PROGRAMMED, 156-4016-00, CY10E301	80009	160-8054-01
	136-0925-00		*MOUNTING PARTS* SOCKET, DIP::	91506	224-AG30D
			*END MOUNTING PARTS*		
A17A1U509	156-2289-00		IC, DIGITAL: ECL, TRANSLATOR; QUAD TTL-TO-ECL; 10H124, DIP16.3, TUBE	04713	MC10H124P
A17A1U510	156-1889-00		IC, DIGITAL: ECL, COUNTER; UNIVERSAL HEXADECIMAL; 10H136, DIP16.3, TUBE	04713	MC10H136L/P
A17A1U511	156-1639-00		IC, DIGITAL: ECL, FLIP FLOP; DUAL MASTER-SLAVE; 10H131, DIP16.3	80009	156-1639-00
A17A1U512	156-1889-00		IC, DIGITAL: ECL, COUNTER; UNIVERSAL HEXADECIMAL; 10H136, DIP16.3, TUBE	04713	MC10H136L/P
A31	671-1456-01		CIRCUIT BD ASSY: ZONE PLATE (OPTION 21 ONLY)	80009	671-1456-01
A31C1	281-0775-01		CAP, FXD, CER DI: 0.1UF, 20%, 50V	04222	SA105E104MAA
A31C2	281-0775-01		CAP, FXD, CER DI: 0.1UF, 20%, 50V	04222	SA105E104MAA
A31C3	281-0775-01		CAP, FXD, CER DI: 0.1UF, 20%, 50V	04222	SA105E104MAA
A31C4	281-0775-01		CAP, FXD, CER DI: 0.1UF, 20%, 50V	04222	SA105E104MAA
A31C5	281-0775-01		CAP, FXD, CER DI: 0.1UF, 20%, 50V	04222	SA105E104MAA
A31C6	281-0775-01		CAP, FXD, CER DI: 0.1UF, 20%, 50V	04222	SA105E104MAA
A31C7	281-0775-01		CAP, FXD, CER DI: 0.1UF, 20%, 50V	04222	SA105E104MAA
A31C8	281-0775-01		CAP, FXD, CER DI: 0.1UF, 20%, 50V	04222	SA105E104MAA
A31C9	281-0775-01		CAP, FXD, CER DI: 0.1UF, 20%, 50V	04222	SA105E104MAA
A31C10	281-0775-01		CAP, FXD, CER DI: 0.1UF, 20%, 50V	04222	SA105E104MAA
A31C11	281-0775-01		CAP, FXD, CER DI: 0.1UF, 20%, 50V	04222	SA105E104MAA
A31C12	281-0775-01		CAP, FXD, CER DI: 0.1UF, 20%, 50V	04222	SA105E104MAA
A31C18	281-0775-01		CAP, FXD, CER DI: 0.1UF, 20%, 50V	04222	SA105E104MAA
A31C21	281-0775-01		CAP, FXD, CER DI: 0.1UF, 20%, 50V	04222	SA105E104MAA
A31C99	281-0775-01		CAP, FXD, CER DI: 0.1UF, 20%, 50V	04222	SA105E104MAA
A31C100	281-0775-01		CAP, FXD, CER DI: 0.1UF, 20%, 50V	04222	SA105E104MAA
A31C115	281-0775-01		CAP, FXD, CER DI: 0.1UF, 20%, 50V	04222	SA105E104MAA
A31C116	281-0775-01		CAP, FXD, CER DI: 0.1UF, 20%, 50V	04222	SA105E104MAA
A31C121	281-0775-01		CAP, FXD, CER DI: 0.1UF, 20%, 50V	04222	SA105E104MAA
A31C122	281-0775-01		CAP, FXD, CER DI: 0.1UF, 20%, 50V	04222	SA105E104MAA
A31C123	281-0775-01		CAP, FXD, CER DI: 0.1UF, 20%, 50V	04222	SA105E104MAA
A31C127	281-0775-01		CAP, FXD, CER DI: 0.1UF, 20%, 50V	04222	SA105E104MAA
A31C128	281-0775-01		CAP, FXD, CER DI: 0.1UF, 20%, 50V	04222	SA105E104MAA
A31C129	281-0775-01		CAP, FXD, CER DI: 0.1UF, 20%, 50V	04222	SA105E104MAA
A31C130	281-0775-01		CAP, FXD, CER DI: 0.1UF, 20%, 50V	04222	SA105E104MAA
A31C134	281-0775-01		CAP, FXD, CER DI: 0.1UF, 20%, 50V	04222	SA105E104MAA
A31C135	281-0775-01		CAP, FXD, CER DI: 0.1UF, 20%, 50V	04222	SA105E104MAA
A31C136	281-0775-01		CAP, FXD, CER DI: 0.1UF, 20%, 50V	04222	SA105E104MAA
A31C137	281-0775-01		CAP, FXD, CER DI: 0.1UF, 20%, 50V	04222	SA105E104MAA
A31C138	281-0775-01		CAP, FXD, CER DI: 0.1UF, 20%, 50V	04222	SA105E104MAA
A31C139	281-0775-01		CAP, FXD, CER DI: 0.1UF, 20%, 50V	04222	SA105E104MAA
A31C141	281-0775-01		CAP, FXD, CER DI: 0.1UF, 20%, 50V	04222	SA105E104MAA
A31C142	281-0775-01		CAP, FXD, CER DI: 0.1UF, 20%, 50V	04222	SA105E104MAA
A31C143	281-0775-01		CAP, FXD, CER DI: 0.1UF, 20%, 50V	04222	SA105E104MAA
A31C144	281-0775-01		CAP, FXD, CER DI: 0.1UF, 20%, 50V	04222	SA105E104MAA

TSG 1001 - REPLACEABLE ELECTRICAL PARTS LIST

Component No.	Tektronix Part No.	Serial/Assembly No. Effective Dscnt	Name & Description	Mfr. Code	Mfr. Part No.
A31C147	281-0775-01		CAP,FXD,CER DI:0.1UF,20%,50V	04222	SA105E104MAA
A31C148	281-0775-01		CAP,FXD,CER DI:0.1UF,20%,50V	04222	SA105E104MAA
A31C149	281-0775-01		CAP,FXD,CER DI:0.1UF,20%,50V	04222	SA105E104MAA
A31C151	281-0775-01		CAP,FXD,CER DI:0.1UF,20%,50V	04222	SA105E104MAA
A31C152	281-0775-01		CAP,FXD,CER DI:0.1UF,20%,50V	04222	SA105E104MAA
A31C153	281-0775-01		CAP,FXD,CER DI:0.1UF,20%,50V	04222	SA105E104MAA
A31C154	281-0775-01		CAP,FXD,CER DI:0.1UF,20%,50V	04222	SA105E104MAA
A31C155	281-0775-01		CAP,FXD,CER DI:0.1UF,20%,50V	04222	SA105E104MAA
A31C156	281-0775-01		CAP,FXD,CER DI:0.1UF,20%,50V	04222	SA105E104MAA
A31C157	281-0775-01		CAP,FXD,CER DI:0.1UF,20%,50V	04222	SA105E104MAA
A31C159	281-0775-01		CAP,FXD,CER DI:0.1UF,20%,50V	04222	SA105E104MAA
A31C160	281-0775-01		CAP,FXD,CER DI:0.1UF,20%,50V	04222	SA105E104MAA
A31C161	290-0973-00		CAP,FXD,ELCTLT:100UF,20%,25VDC	24165	513D107M025BB4D
A31C162	290-0973-00		CAP,FXD,ELCTLT:100UF,20%,25VDC	24165	513D107M025BB4D
A31C163	290-0973-00		CAP,FXD,ELCTLT:100UF,20%,25VDC	24165	513D107M025BB4D
A31C164	281-0775-01		CAP,FXD,CER DI:0.1UF,20%,50V	04222	SA105E104MAA
A31C165	281-0775-01		CAP,FXD,CER DI:0.1UF,20%,50V	04222	SA105E104MAA
A31C166	281-0775-01		CAP,FXD,CER DI:0.1UF,20%,50V	04222	SA105E104MAA
A31DL1	119-1380-00		DELAY LINE,ELEC:10NS,100 OHM,TAPPED,7 SIP	80009	119-1380-00
A31DL2	119-1380-00		DELAY LINE,ELEC:10NS,100 OHM,TAPPED,7 SIP	80009	119-1380-00
A31DL3	119-1380-00		DELAY LINE,ELEC:10NS,100 OHM,TAPPED,7 SIP	80009	119-1380-00
A31DL4	119-1380-00		DELAY LINE,ELEC:10NS,100 OHM,TAPPED,7 SIP	80009	119-1380-00
A31J1	131-3323-00		CONN,HDR:	22526	66506-025
A31J2	131-3323-00		CONN,HDR:	22526	66506-025
A31J3	131-3323-00		CONN,HDR:	22526	66506-025
A31J4	131-0608-00		TERMINAL,PIN:0.365 L X 0.025 BRZ GLD PL (QUANTITY 5)	80009	131-0608-00
A31J5	131-0608-00		TERMINAL,PIN:0.365 L X 0.025 BRZ GLD PL (QUANTITY 5)	80009	131-0608-00
A31J6	131-0608-00		TERMINAL,PIN:0.365 L X 0.025 BRZ GLD PL (QUANTITY 2)	80009	131-0608-00
A31J7	131-0608-00		TERMINAL,PIN:0.365 L X 0.025 BRZ GLD PL (QUANTITY 2)	80009	131-0608-00
A31J8	131-0608-00		TERMINAL,PIN:0.365 L X 0.025 BRZ GLD PL (QUANTITY 5)	80009	131-0608-00
A31J9	131-0608-00		TERMINAL,PIN:0.365 L X 0.025 BRZ GLD PL (QUANTITY 5)	80009	131-0608-00
A31J10	131-3364-00		CONN,HDR:	80009	131-3364-00
A31P4	131-0993-02		BUS,CONDUCTOR:SHUNT ASSEMBLY,RED	00779	1-850100-0
A31P5	131-0993-02		BUS,CONDUCTOR:SHUNT ASSEMBLY,RED	00779	1-850100-0
A31P8	131-0993-02		BUS,CONDUCTOR:SHUNT ASSEMBLY,RED	00779	1-850100-0
A31P9	131-0993-02		BUS,CONDUCTOR:SHUNT ASSEMBLY,RED	00779	1-850100-0
A31R1	322-3193-00		RES,FXD,FILM:1K OHM,1%,0.2W,TC=TO	57668	CRB20 FXE 1K00
A31R2	322-3085-00		RES,FXD,FILM:75 OHM,1%,0.2W,TC=TO	57668	CRB20 FXE 75E0
A31R3	322-3085-00		RES,FXD,FILM:75 OHM,1%,0.2W,TC=TO	57668	CRB20 FXE 75E0
A31R4	322-3085-00		RES,FXD,FILM:75 OHM,1%,0.2W,TC=TO	57668	CRB20 FXE 75E0
A31R5	307-0546-00		RES NTWK,FXD,FI:5,750HM,5%,0.15 W	80009	307-0546-00
A31R6	307-0546-00		RES NTWK,FXD,FI:5,750HM,5%,0.15 W	80009	307-0546-00
A31R7	307-0546-00		RES NTWK,FXD,FI:5,750HM,5%,0.15 W	80009	307-0546-00
A31R8	307-0546-00		RES NTWK,FXD,FI:5,750HM,5%,0.15 W	80009	307-0546-00
A31R9	307-0546-00		RES NTWK,FXD,FI:5,750HM,5%,0.15 W	80009	307-0546-00
A31R10	307-0546-00		RES NTWK,FXD,FI:5,750HM,5%,0.15 W	80009	307-0546-00
A31R11	307-0546-00		RES NTWK,FXD,FI:5,750HM,5%,0.15 W	80009	307-0546-00
A31R12	307-0546-00		RES NTWK,FXD,FI:5,750HM,5%,0.15 W	80009	307-0546-00
A31R13	322-3050-00		RES,FXD,FILM:32.4 OHM,1%,0.2W,TC=TO	80009	322-3050-00
A31R14	307-0546-00		RES NTWK,FXD,FI:5,750HM,5%,0.15 W	80009	307-0546-00
A31R15	322-3097-00		RES,FXD,FILM:100 OHM,1%,0.2W,TC=TO	57668	CRB20 FXE 100E
A31R16	322-3097-00		RES,FXD,FILM:100 OHM,1%,0.2W,TC=TO	57668	CRB20 FXE 100E
A31R17	322-3097-00		RES,FXD,FILM:100 OHM,1%,0.2W,TC=TO	57668	CRB20 FXE 100E
A31R18	322-3097-00		RES,FXD,FILM:100 OHM,1%,0.2W,TC=TO	57668	CRB20 FXE 100E



Component No.	Tektronix Part No.	Serial/Assembly No. Effective Dscnt	Name & Description	Mfr. Code	Mfr. Part No.
A31R20	307-0546-00		RES NTWK,FXD,FI:5,75OHM,5%,0.15 W	80009	307-0546-00
A31R62	322-3193-00		RES,FXD,FILM:1K OHM,1%,0.2W,TC=TO	57668	CRB20 FXE 1K00
A31TP3	214-4085-00		TERM,TEST POINT:0.070 ID,0.220 H,0.063 DIA PCB,0.015 X 0.032 BRASS,W/ RED NYLON COLLAR	26364	104-01-02
A31TP4	214-4085-00		TERM,TEST POINT:0.070 ID,0.220 H,0.063 DIA PCB,0.015 X 0.032 BRASS,W/ RED NYLON COLLAR	26364	104-01-02
A31U1	156-6019-00		IC,ASIC:CMOS,CUSTOM;Z80 ZONE PLATE,ADG237;V F4711,PLCC84	80009	156-6019-00
	136-0965-00		*MOUNTING PARTS* SKT,PL-IN ELEK:PLCC,PCB,84,0.360 H X 0.125 TAIL,TIN	80009	136-0965-00
			*END MOUNTING PARTS*		
A31U2	156-2289-00		IC,DIGITAL:ECL,TRANSLATOR;QUAD TTL-TO-ECL;1 OH124,DIP16.3,TUBE	04713	MC10H124P
A31U3	156-2289-00		IC,DIGITAL:ECL,TRANSLATOR;QUAD TTL-TO-ECL;1 OH124,DIP16.3,TUBE	04713	MC10H124P
A31U4	156-2289-00		IC,DIGITAL:ECL,TRANSLATOR;QUAD TTL-TO-ECL;1 OH124,DIP16.3,TUBE	04713	MC10H124P
A31U5	156-2289-00		IC,DIGITAL:ECL,TRANSLATOR;QUAD TTL-TO-ECL;1 OH124,DIP16.3,TUBE	04713	MC10H124P
A31U6	156-2289-00		IC,DIGITAL:ECL,TRANSLATOR;QUAD TTL-TO-ECL;1 OH124,DIP16.3,TUBE	04713	MC10H124P
A31U7	156-1712-00		MICROCKT,DGTL:ECL,HEX D MA-SLAVE,FF,SCRN	04713	MC10H176 P
A31U8	156-1712-00		MICROCKT,DGTL:ECL,HEX D MA-SLAVE,FF,SCRN	04713	MC10H176 P
A31U9	156-1712-00		MICROCKT,DGTL:ECL,HEX D MA-SLAVE,FF,SCRN	04713	MC10H176 P
A31U10	156-1712-00		MICROCKT,DGTL:ECL,HEX D MA-SLAVE,FF,SCRN	04713	MC10H176 P
A31U11	156-2116-00		IC,DIGITAL:ECL,MUX/ENCODER;QUAD 2-INPUT MUX /LATCH;10H173,DIP16.3,TUBE	80009	156-2116-00
A31U12	156-2116-00		IC,DIGITAL:ECL,MUX/ENCODER;QUAD 2-INPUT MUX /LATCH;10H173,DIP16.3,TUBE	80009	156-2116-00
A31U13	156-2116-00		IC,DIGITAL:ECL,MUX/ENCODER;QUAD 2-INPUT MUX /LATCH;10H173,DIP16.3,TUBE	80009	156-2116-00
A31U14	156-1611-00		IC,DIGITAL:FTTL,FLIP FLOP;DUAL D-TYPE;74F74 ,DIP14.3,TUBE	80009	156-1611-00
A31U15	156-2114-00		IC,DIGITAL:ECL,RECEIVER;QUAD LINE;10H115,DI P16.3,TUBE	80009	156-2114-00
A31U16	156-2290-00		IC,DIGITAL:ECL,TRANSLATOR;QUAD ECL-TO-TTL;1 OH125,DIP16.3,TUBE	80009	156-2290-00
A31U17	156-1889-00		IC,DIGITAL:ECL,COUNTER;UNIVERSAL HEXADECIMA L;10H136,DIP16.3,TUBE	04713	MC10H136L/P
A31U18	156-1640-00		IC,DIGITAL:ECL,RECEIVER;TRIPLE LINE;10H116, DIP16.3,TUBE	80009	156-1640-00
A31U19	156-2114-00		IC,DIGITAL:ECL,RECEIVER;QUAD LINE;10H115,DI P16.3,TUBE	80009	156-2114-00
A31U20	156-2114-00		IC,DIGITAL:ECL,RECEIVER;QUAD LINE;10H115,DI P16.3,TUBE	80009	156-2114-00
A31U21	156-1111-02		IC,DIGITAL:LSTTL,TRANSCEIVER;DUPLICATE OF 1 56-1111-00;74LS245,DIP20.3,TUBE	80009	156-1111-02
A31U22	160-7169-00		MICROCKT,DGTL:STTL,PLD,20 IN,10 OUT,PRGM,PA L20L10,DIP24.3	80009	160-7169-00
	136-0925-00		*MOUNTING PARTS* SOCKET,DIP::	91506	224-AG30D
			*END MOUNTING PARTS*		
A31U23	160-6224-00		MICROCKT,DGTL:16 X 8 EPROM,PRGM	80009	160-6224-00
	136-0755-00		*MOUNTING PARTS* SOCKET,DIP::PCB,;28 POS,2 X 14,0.1 X 0.6 CT R,0.175 H X 0.13 TAIL,BECU,TIN;,,	09922	DILB28P-108
			*END MOUNTING PARTS*		

TSG 1001 - REPLACEABLE ELECTRICAL PARTS LIST

Component No.	Tektronix Part No.	Serial/Assembly No. Effective	Discnt	Name & Description	Mfr. Code	Mfr. Part No.
A31U24	156-1754-01			IC,DIGITAL:ALSTTL,BUFFER;OCTAL NONINV BUFFE	01295	SN74ALS244AN3
A31U25	156-1754-01			R/DRIVER, 3-STATE;74ALS244,DIP20.3,TUBE	01295	SN74ALS244AN3
A31U26	156-2671-00			IC,DIGITAL:ALSTTL,BUFFER;OCTAL NONINV BUFFE	80009	156-2671-00
	136-0751-00			R/DRIVER, 3-STATE;74ALS244,DIP20.3,TUBE IC, MEMORY:CMOS,NVRAM;2K X 8,200NS,SRAM,INTE GRAL BATTERY;;DIP24.6SAFETY CONTROLLED *MOUNTING PARTS*	09922	DILB24P108
				SOCKET DIP:: *END MOUNTING PARTS*		
A31U27	156-1664-00			IC,DIGITAL:ALSTTL,FLIP FLOP;OCTAL NONINV D-	80009	156-1664-00
A31W24	131-0566-00			TYPE, 3-STATE;74ALS574,DIP20.3,TUBE	24546	OMA 07
A31W25	131-0566-00			BUS, CONDUCTOR:DUMMY RES,0.094 OD X 0.225 L	24546	OMA 07
B100	119-3551-01			FAN TUBEAXIAL:	80009	119-3551-01
J9	174-2183-00			(CONNECTED TO A4J155) CA ASSY,SP,ELEC:40,28 AWG,3.0 L,RIBBON,2 X 20,0.1 CTR,RCPT X 37 POS (CONNECTED TO A5J9) *MOUNTING PARTS*	80009	174-2183-00
	131-0890-00			LOCK,CONNECTOR:4-40 X 0.312 L HEX HD,STL (QUANTITY 2) *END MOUNTING PARTS*	71468	D 20418-2
J13	174-1339-00			CA ASSY,SP,ELEC:26,28 AWG,3.0 L (CONNECTED TO A5J13) *MOUNTING PARTS*	80009	174-1339-00
	131-0890-00			LOCK,CONNECTOR:4-40 X 0.312 L HEX HD,STL (QUANTITY 2) *END MOUNTING PARTS*	71468	D 20418-2
J16	174-2295-00			CA ASSY,SP,ELEC:26/25,28 AWG,MALE D SUB MIN (CONNECTED TO A5J16) *MOUNTING PARTS*	80009	174-2295-00
	131-0890-00			LOCK,CONNECTOR:4-40 X 0.312 L HEX HD,STL (QUANTITY 2) *END MOUNTING PARTS*	71468	D 20418-2
J23	174-1770-00			CABLE ASSY,RF:75 OHM COAX,6.5 L (CONNECTED TO A3J23)	80009	174-1770-00
J43	174-1339-00			CA ASSY,SP,ELEC:26,28 AWG,3.0 L (CONNECTED TO A6J43) *MOUNTING PARTS*	80009	174-1339-00
	131-0890-00			LOCK,CONNECTOR:4-40 X 0.312 L HEX HD,STL (QUANTITY 2) *END MOUNTING PARTS*	71468	D 20418-2
J44	174-1339-00			CA ASSY,SP,ELEC:26,28 AWG,3.0 L (CONNECTED TO A6J44) *MOUNTING PARTS*	80009	174-1339-00
	131-0890-00			LOCK,CONNECTOR:4-40 X 0.312 L HEX HD,STL (QUANTITY 2) *END MOUNTING PARTS*	71468	D 20418-2
J45	174-1339-00			CA ASSY,SP,ELEC:26,28 AWG,3.0 L (CONNECTED TO A6J45) *MOUNTING PARTS*	80009	174-1339-00
	131-0890-00			LOCK,CONNECTOR:4-40 X 0.312 L HEX HD,STL (QUANTITY 2) *END MOUNTING PARTS*	71468	D 20418-2
W1	174-2184-00			CA ASSY,SP,ELEC:34,28 AWG,4.5 L,RIBBON,2 X 17,0.1 CTR,RCPT X 2 X 17,0.1 CTR,RCPT (CONNECTED FROM A2J1 TO A5J7)	80009	174-2184-00
W2	174-2184-00			CA ASSY,SP,ELEC:34,28 AWG,4.5 L,RIBBON,2 X 17,0.1 CTR,RCPT X 2 X 17,0.1 CTR,RCPT (CONNECTED FROM A2J? TO A5J6)	80009	174-2184-00
W3	174-2189-00			CA ASSY,SP,ELEC:34,28 AWG,12.0 L,RIBBON,2 X 17,0.1 CTR,RCPT X 2 X 17,0.1 CTR,RCPT	80009	174-2189-00

Component No.	Tektronix Part No.	Serial/Assembly No. Effective	Discort	Name & Description	Mfr. Code	Mfr. Part No.
W10	174-2181-00			(CONNECTED FROM A5J3 TO A7J3) CA ASSY, SP, ELEC:12,26 AWG,3.5 L,RIBBON,12 P OS,0.1 CTR,MTE X 12 POS,0.1 CTR,MTE	80009	174-2181-00
W14	174-2187-00			(CONNECTED FROM A5J10 TO A9J1) CA ASSY, SP, ELEC:40,28 AWG,4.5 L,RIBBON,2 X 20,0.1 CTR,RCPT X 2 X 17,0.1 CTR,RCPT	80009	174-2187-00
W15	174-2187-00			(CONNECTED FROM A2J?? TO A4J985) CA ASSY, SP, ELEC:40,28 AWG,4.5 L,RIBBON,2 X 20,0.1 CTR,RCPT X 2 X 17,0.1 CTR,RCPT	80009	174-2187-00
W16	174-2187-00			(CONNECTED FROM A2J?? TO A17J4) CA ASSY, SP, ELEC:40,28 AWG,4.5 L,RIBBON,2 X 20,0.1 CTR,RCPT X 2 X 17,0.1 CTR,RCPT	80009	174-2187-00
W17	174-2190-00			(CONNECTED FROM A2J?? TO A17J3) CA ASSY, SP, ELEC:40,28 AWG,3.0 L,RIBBON,2 X 20,0.1 CTR,RCPT X 2 X 20,0.1 CTR,RCPT	80009	174-2190-00
W18	174-2190-00			(CONNECTED FROM A2J?? TO A3J59) CA ASSY, SP, ELEC:40,28 AWG,3.0 L,RIBBON,2 X 20,0.1 CTR,RCPT X 2 X 20,0.1 CTR,RCPT	80009	174-2190-00
W19	174-0034-00			(CONNECTED FROM A2J?? TO A31J10) CA ASSY, SP, ELEC:28 AWG,3.0 L,RIBBON	80009	174-0034-00
W20	174-2187-00			(CONNECTED FROM A2J?? TO A31J2) CA ASSY, SP, ELEC:40,28 AWG,4.5 L,RIBBON,2 X 20,0.1 CTR,RCPT X 2 X 17,0.1 CTR,RCPT	80009	174-2187-00
W21	174-2187-00			(CONNECTED FROM A2J?? TO A31J3) CA ASSY, SP, ELEC:40,28 AWG,4.5 L,RIBBON,2 X 20,0.1 CTR,RCPT X 2 X 17,0.1 CTR,RCPT	80009	174-2187-00
W22	174-2187-00			(CONNECTED FROM A2J?? TO A31J1) CA ASSY, SP, ELEC:40,28 AWG,4.5 L,RIBBON,2 X 20,0.1 CTR,RCPT X 2 X 17,0.1 CTR,RCPT	80009	174-2187-00
W24	174-2189-00			(CONNECTED FROM A3J24 TO A5J965) CA ASSY, SP, ELEC:34,28 AWG,12.0 L,RIBBON,2 X 17,0.1 CTR,RCPT X 2 X 17,0.1 CTR,RCPT	80009	174-2189-00
W61	174-0034-00			(CONNECTED FROM A3J61 TO A6J46) CA ASSY, SP, ELEC:28 AWG,3.0 L,RIBBON	80009	174-0034-00
W62	174-2190-00			(CONNECTED FROM A3J62 TO A6J47) CA ASSY, SP, ELEC:40,28 AWG,3.0 L,RIBBON,2 X 20,0.1 CTR,RCPT X 2 X 20,0.1 CTR,RCPT	80009	174-2190-00
W64	174-2325-00			(CONNECTED FROM A3J64 TO A7J2) CA ASSY, SP, ELEC:20,28 AWG,6.0 L,RIBBON,1 X 20,0.1 CTR	80009	174-2325-00
W180	174-0034-00			(CONNECTED FROM A4J180 TO A5J11) CA ASSY, SP, ELEC:28 AWG,3.0 L,RIBBON	80009	174-0034-00
W292	174-2185-00			(CONNECTED FROM A4J292 TO A5J2) CA ASSY, SP, ELEC:40,28 AWG,7.75 L,RIBBON,2 X 20,0.1 CTR,RCPT X 2 X 20,0.1 CTR,RCPT	80009	174-2185-00



# DIAGRAMS/CIRCUIT BOARD ILLUSTRATIONS

## Symbols

Graphic symbols and class designation letters are based on ANSI Standard Y32.2-1975.

Logic symbology is based on ANSI Y32.14-1973 in terms of positive logic. Logic symbols depict the logic function performed and may differ from the manufacturer's data.

Both overline and parenthesis indicate a low asserting state.

Example:  $\overline{\text{ID,CONTROL}}$  or (ID CONTROL)

Abbreviations are based on ANSI Y1.1-1972.

Other ANSI standards that are used in the preparation of diagrams by Tektronix, Inc. are:

- Y14.15, 1966 — Drafting Practices.
- Y14.2, 1973 — Line Conventions and Lettering.
- Y10.5, 1968 — Letter Symbols for Quantities Used in Electrical Science and Electrical Engineering.

American National Standard Institute  
1430 Broadway, New York, New York 10018

## Component Values

Electrical components shown on the diagrams are in the following units unless noted otherwise:

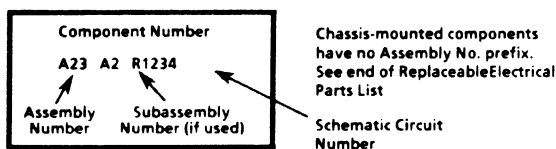
- Capacitors:  
Values one or greater are in picofarads (pF).  
Values less than one are in microfarads ( $\mu\text{F}$ ).
- Resistors = Ohms ( $\Omega$ ).

The following information and special symbols may appear in this manual.

## Assembly Numbers

Each assembly in the instrument is assigned an assembly number (e.g., A20). The assembly number appears on the diagram (in circuit board outline), circuit board illustration title, and lookup table for the schematic diagram.

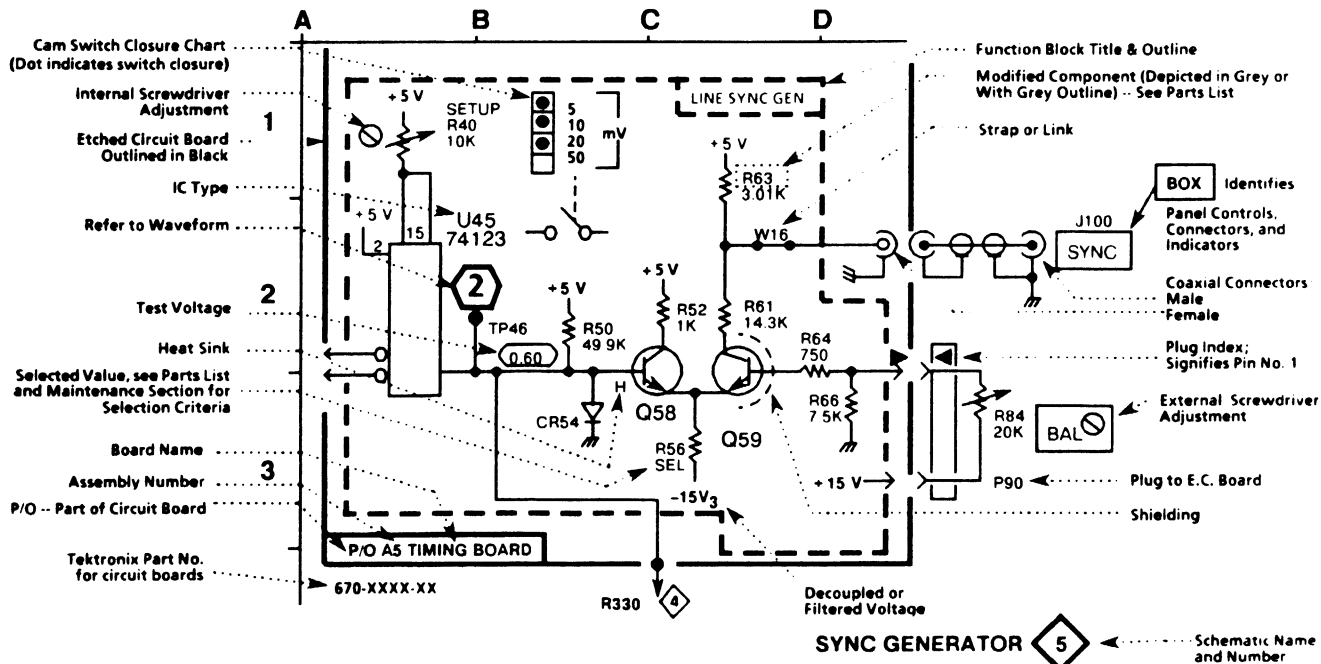
The Replaceable Electrical Parts List is arranged by assembly number in numerical sequence; the components are listed by component number. Example:



## Grid Coordinates

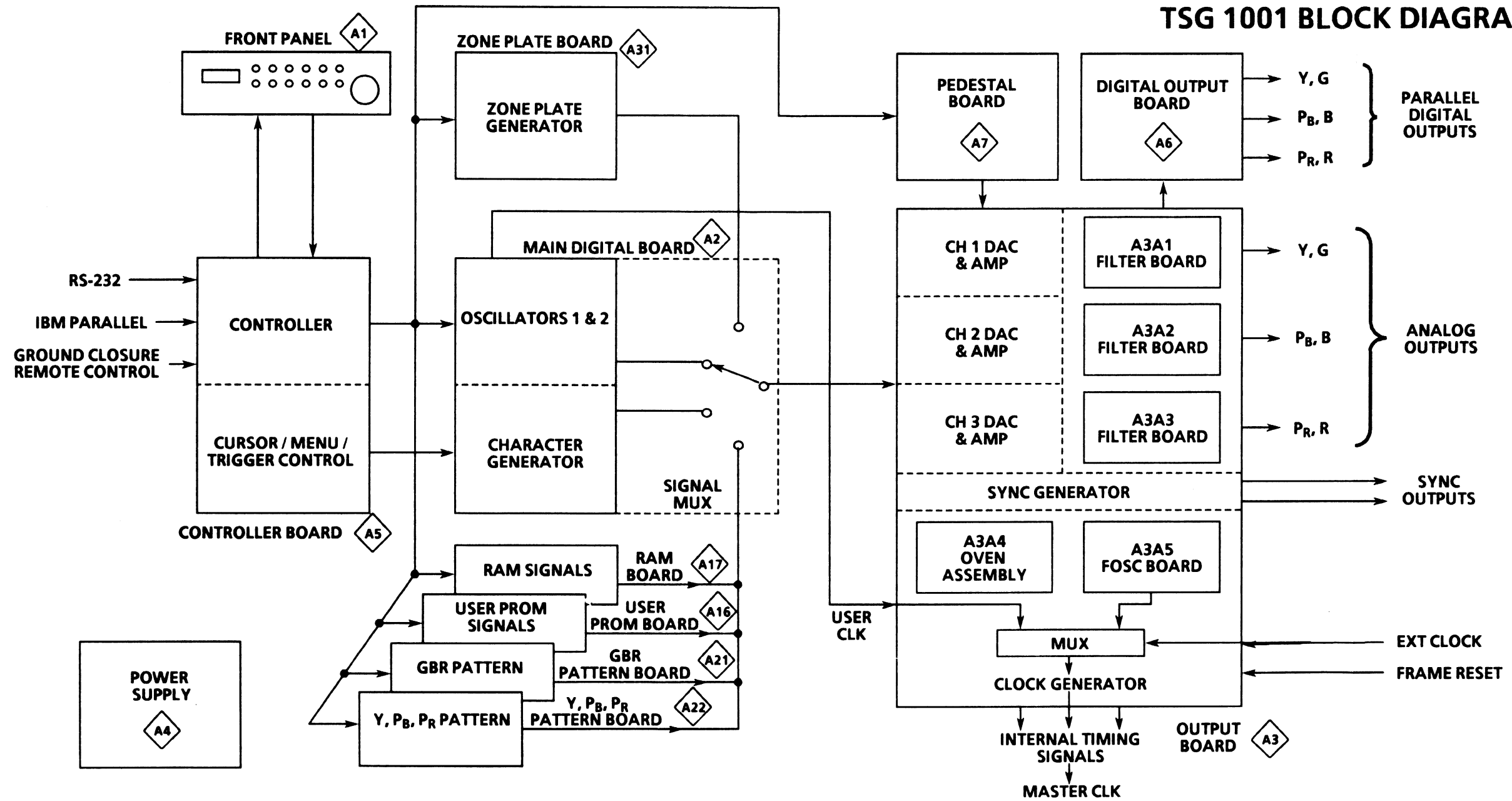
The schematic diagram and circuit board component location illustration have grids. A lookup table with the grid coordinates is provided for ease of locating the component. Only the components illustrated on the facing diagram are listed in the lookup table.

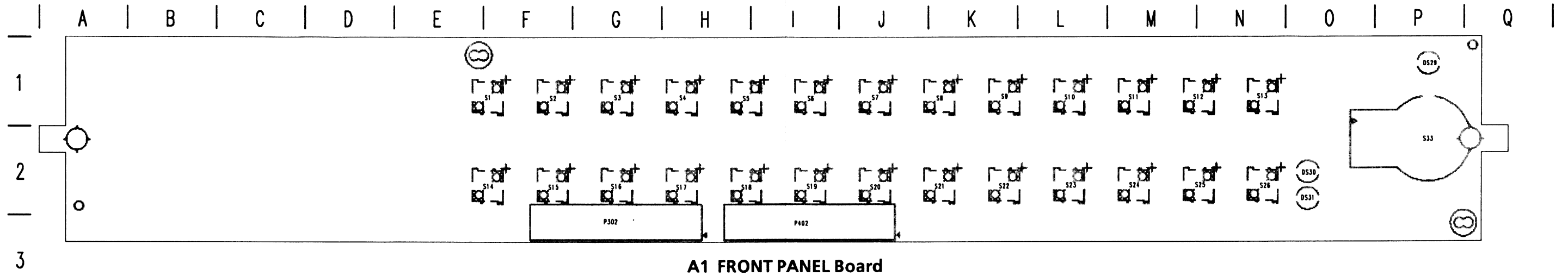
When more than one schematic diagram is used to illustrate the circuitry on a circuit board, the circuit board illustration may only appear opposite the first diagram; the lookup table will list the diagram number of other diagrams that the other circuitry appears on.





# TSG 1001 BLOCK DIAGRAM





**A1 FRONT PANEL Board**

 **Static Sensitive Devices**  
See Maintenance Section

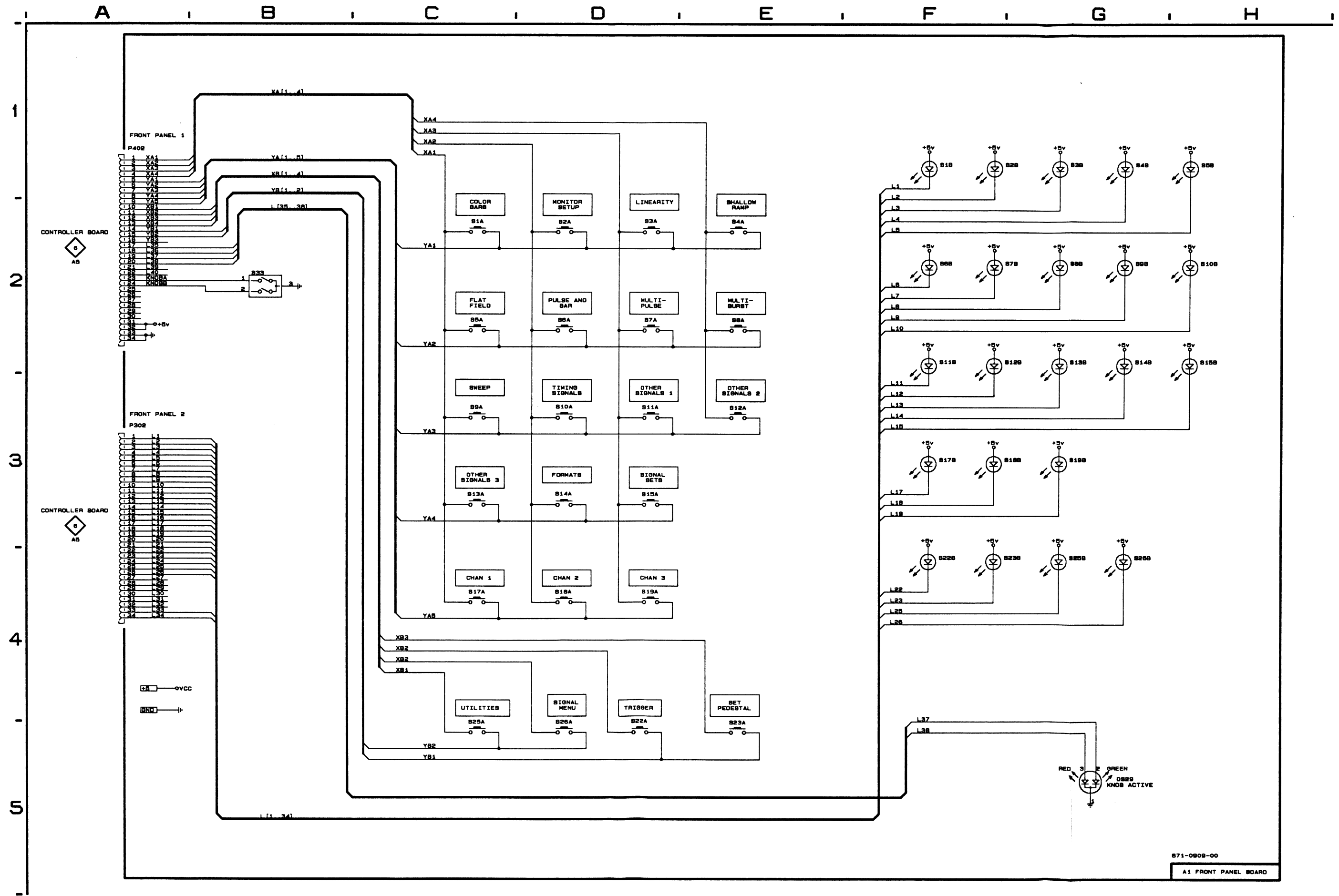
**Schematic Diagram <1>  
Look-up Chart  
FRONT PANEL Board**

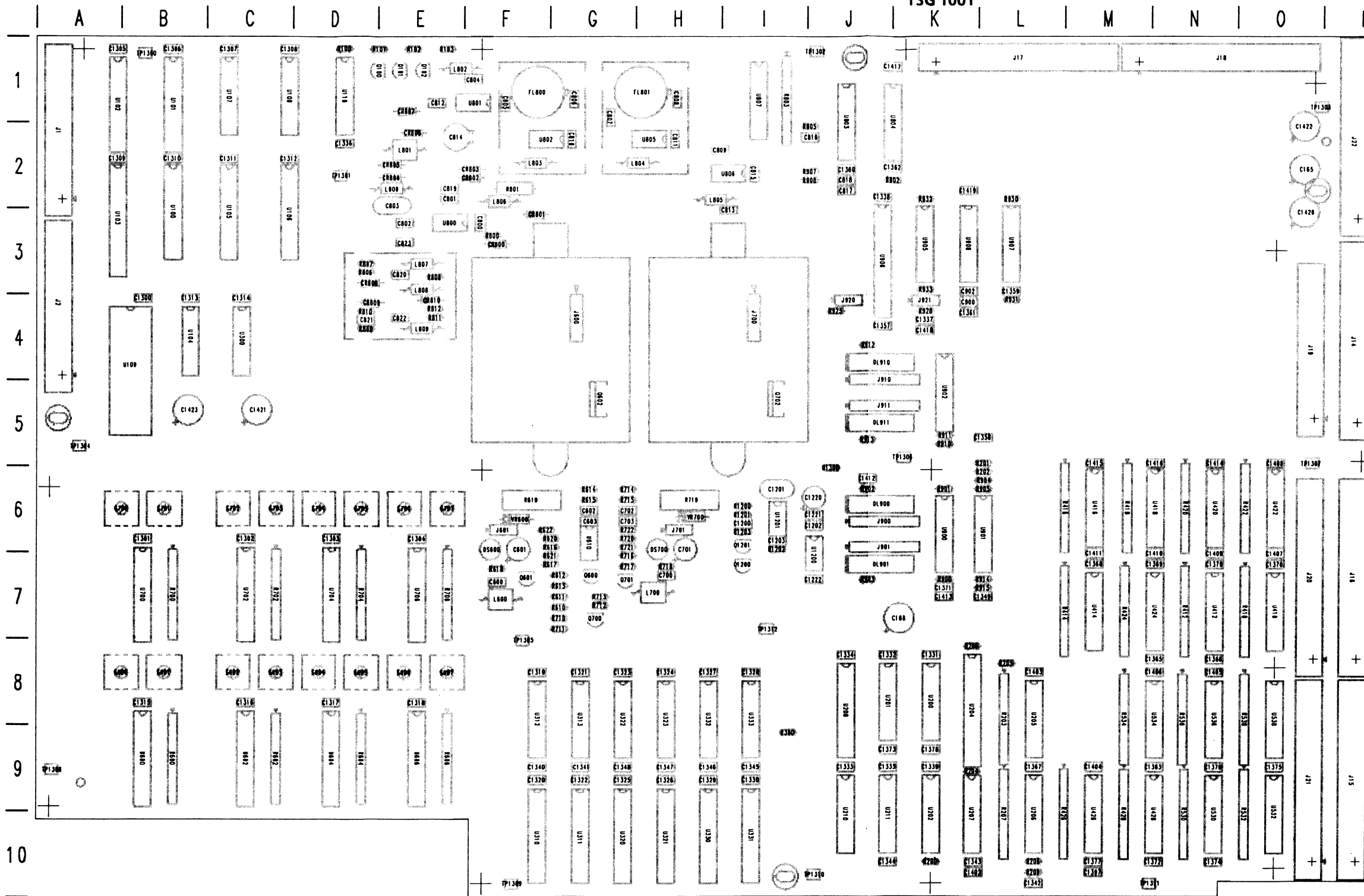
The schematic diagram has an alpha-numeric grid to assist in locating parts within that diagram. The etched circuit boards follow a numbering sequence starting with the lowest number at the upper left corner, as pictured in this manual.

**ASSEMBLY A1**

CIRCUIT NUMBER	SCHEM LOCATION	BOARD LOCATION	CIRCUIT NUMBER	SCHEM LOCATION	BOARD LOCATION
DS29	G5	P1	S11A	D3	M1
P302	A3	G3	S11B	F2	M1
P402	A1	I3	S12A	E3	M1
S1A	C2	F1	S12B	F2	M1
S1B	F1	F1	S13A	C3	N1
S2A	D2	F1	S13B	G2	N1
S2B	F1	F1	S14A	D3	F2
S3A	D2	G1	S14B	G2	F2
S3B	G1	G1	S15A	D3	F2
S4A	E2	H1	S15B	H2	F2
S4B	G1	H1	S17A	C4	H2
S5A	C2	H1	S17B	F3	H2
S5B	H1	H1	S18A	D4	H2
S6A	D2	I1	S18B	F3	H2
S6B	F2	I1	S19A	D4	I2
S7A	D2	J1	S19B	G3	I2
S7B	F2	J1	S22A	D5	K2
S8A	E2	K1	S22B	F4	K2
S8B	G2	K1	S23A	E5	L2
S9A	C3	K1	S23B	F4	L2
S9B	G2	K1	S25A	C5	M2
S10A	D3	L1	S25B	G4	M2
S10B	H2	L1	S26A	D5	N2
			S26B	G4	N2
			S33	B2	P2







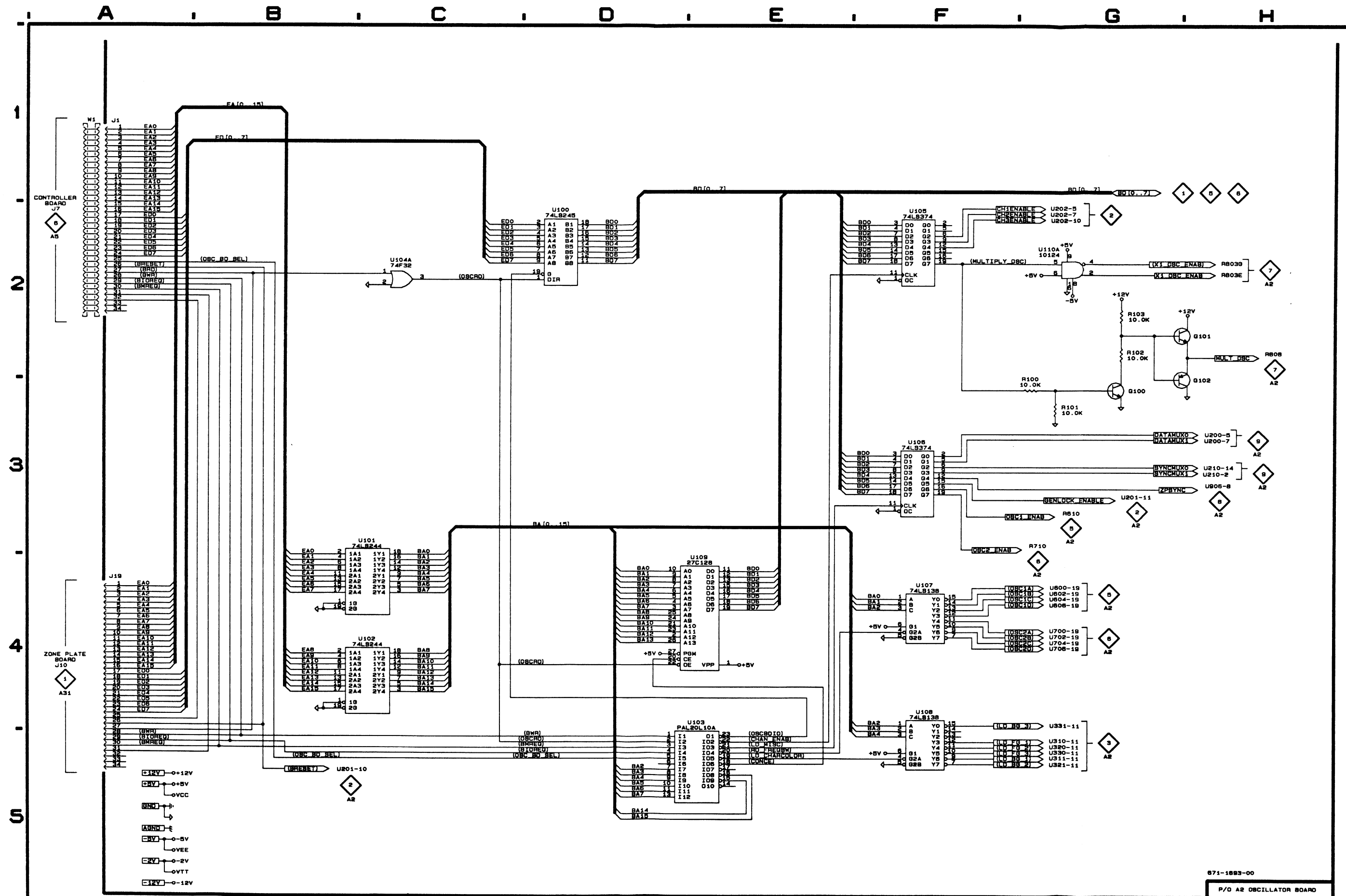
A2 OSCILLATOR Board

**Schematic Diagram < 1 >  
Look-up Chart  
OSCILLATOR Board**

The schematic diagram has an alpha-numeric grid to assist in locating parts within that diagram. The etched circuit boards follow a numbering sequence starting with the lowest number at the upper left corner, as pictured in this manual.

**ASSEMBLY A2** Partial A2 also shown on diagrams 2, 3, 4, 5, 6, 7, 8, 9, and 10.

CIRCUIT NUMBER	SCHEM LOCATION	BOARD LOCATION
J1	A1	A2
J19	A4	O5
Q100	G3	D1
Q101	G2	E1
Q102	G2	F1
R100	G3	D1
R101	G3	D1
R102	G2	E1
R103	G2	F1
U100	D2	B2
U101	B3	B1
U102	B4	A1
U103	D5	A2
U104A	C2	B4
U105	F2	B2
U106	F3	C2
U107	F4	B1
U108	F4	C1
U109	D4	A4
U110A	G2	D1
W1	A1	



TSG 1001

871-1893-00  
P/O AR OSCILLATOR BOARD

### Schematic Diagram <2> Look-up Chart OSCILLATOR Board

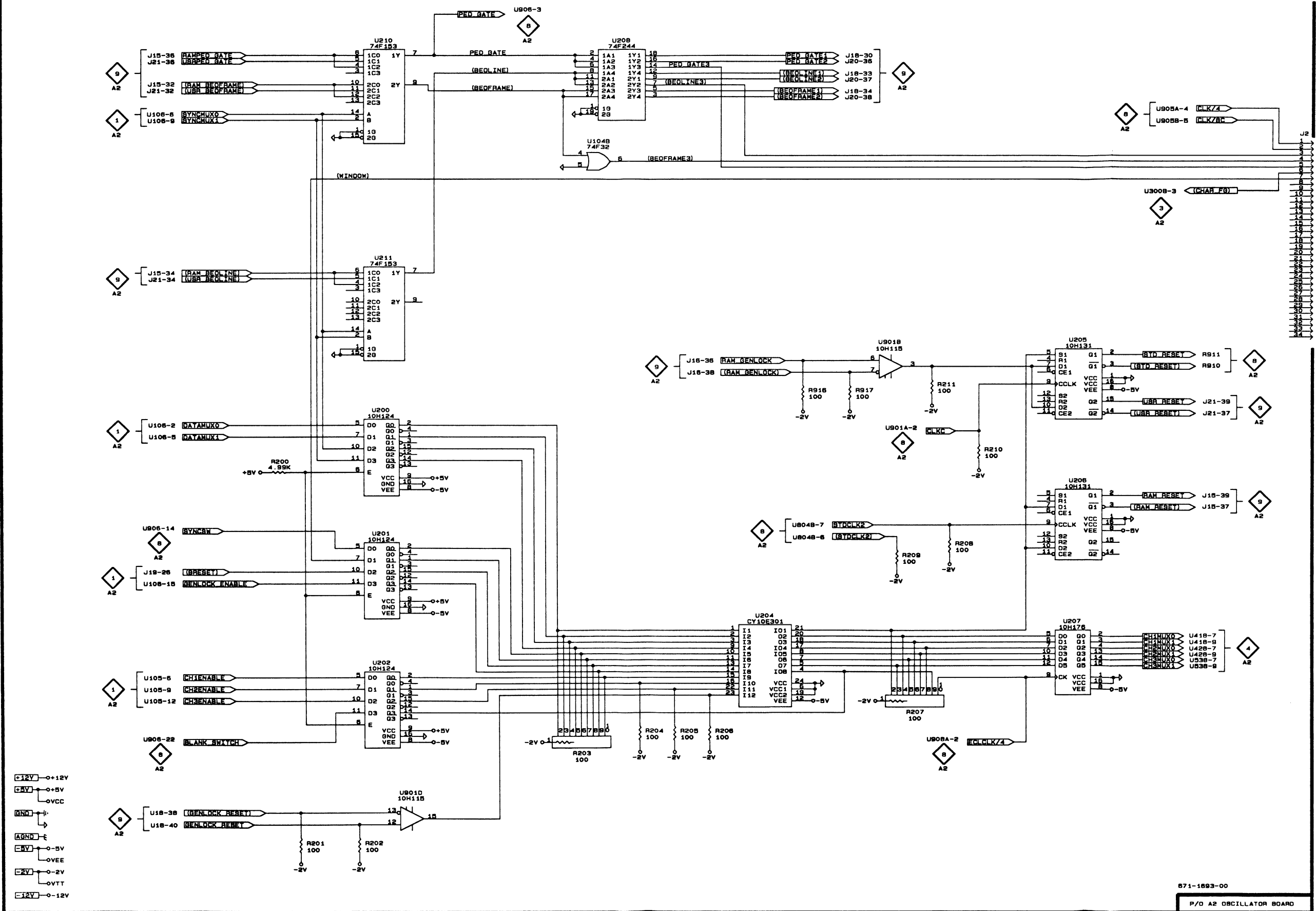
The schematic diagram has an alpha-numeric grid to assist in locating parts within that diagram. The etched circuit boards follow a numbering sequence starting with the lowest number at the upper left corner, as pictured in this manual.

**ASSEMBLY A2** Partial A2 also shown on diagrams 1, 3, 4, 5, 6, 7, 8, 9, and 10.

CIRCUIT NUMBER	SCHEM LOCATION	BOARD LOCATION
J2	H1	A4
R200	B3	K10
R201	B5	K6
R202	C5	K6
R203	D5	L8
R204	D4	K9
R205	D4	L8
R206	E4	K8
R207	F4	L9
R208	F3	L10
R209	F4	L10
R210	F3	L8
R211	F3	M9
R916	E3	K5
R917	E3	K5
U104B	D1	B4
U200	C3	K8
U201	C3	J8
U202	C4	K9
U204	E4	K8
U205	G2	L8
U206	G3	L9
U207	G4	K9
U208	D1	J8
U210	C1	J9
U211	C2	J9
U901B	F2	K6
U901D	C5	K6
W2	H1	

A B C D E F G H

1  
2  
3  
4  
5



TSG 1001

871-1693-00

P/O A2 OSCILLATOR BOARD

MUX LOGIC

2

### Schematic Diagram <3> Look-up Chart OSCILLATOR Board

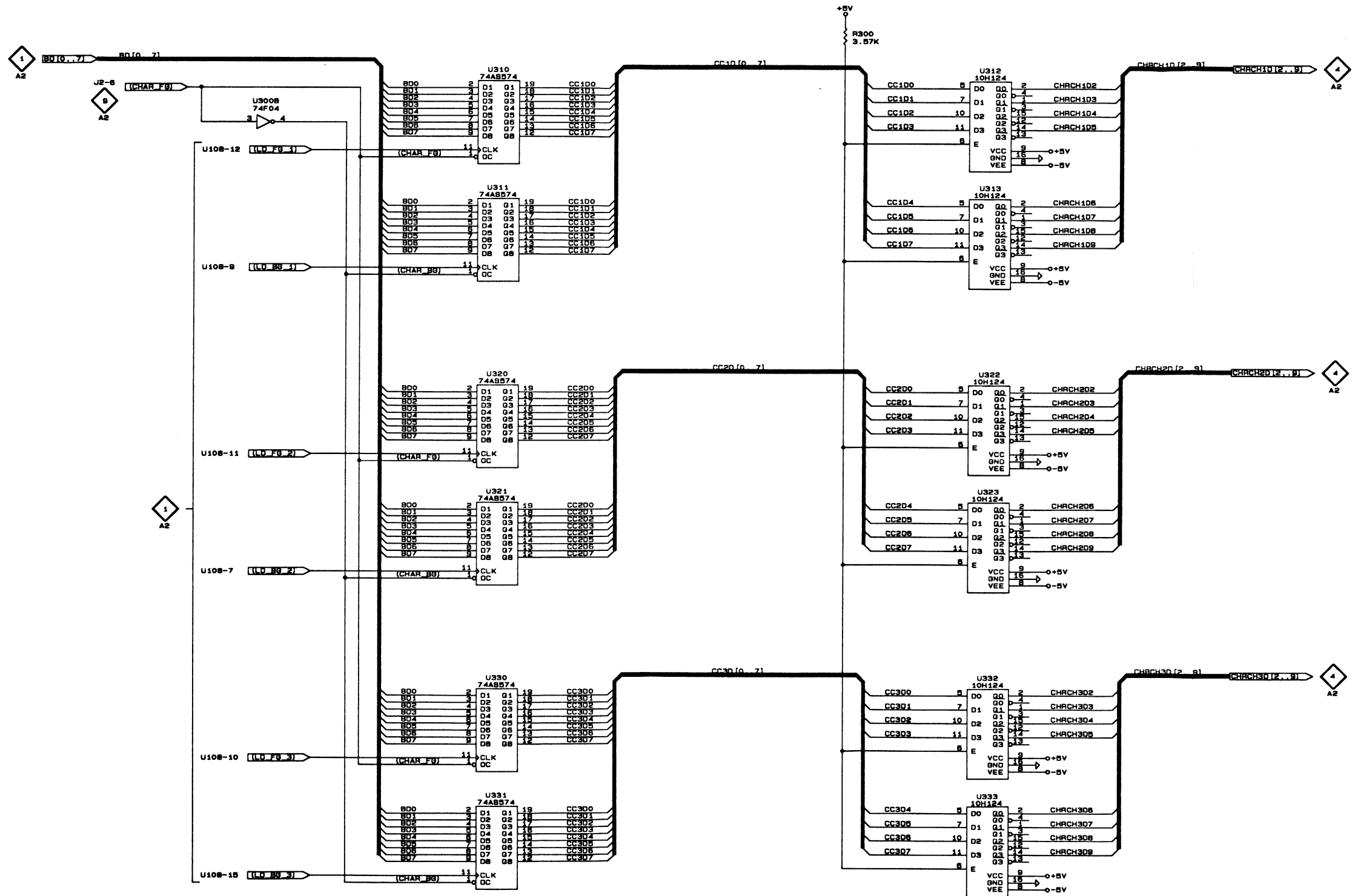
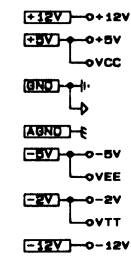
The schematic diagram has an alpha-numeric grid to assist in locating parts within that diagram. The etched circuit boards follow a numbering sequence starting with the lowest number at the upper left corner, as pictured in this manual.

**ASSEMBLY A2** *Partial A2 also shown on diagrams 1, 2, 4, 5, 6, 7, 8, 9, and 10.*

CIRCUIT NUMBER	SCHEM LOCATION	BOARD LOCATION
R300	E1	I9
U300B	B1	C4
U310	C1	F9
U311	C2	G9
U312	F1	F8
U313	F2	G8
U320	C3	G9
U321	C3	H9
U322	F3	G8
U323	F3	H8
U330	C4	H9
U331	C4	I9
U332	F4	H8
U333	F4	I8

A B C D E F G H

1  
2  
3  
4  
5



871-1893-00

P/O A2 OSCILLATOR BOARD

### Schematic Diagram < 4 > Look-up Chart OSCILLATOR Board

The schematic diagram has an alpha-numeric grid to assist in locating parts within that diagram. The etched circuit boards follow a numbering sequence starting with the lowest number at the upper left corner, as pictured in this manual.

**ASSEMBLY A2** *Partial A2 also shown on diagrams 1, 2, 3, 5, 6, 7, 8, 9, and 10.*

CIRCUIT NUMBER	SCHEM LOCATION	BOARD LOCATION
R410	B2	N7
R412	B3	N7
R414	B3	L7
R416	B4	L6
R418	B5	M6
R420	D2	N6
R422	D3	N6
R424	D3	M7
R426	D4	L9
R428	D5	M9
R530	F2	N9
R532	F3	N9
R534	F3	M8
R536	F4	N8
R538	F5	N8
U410	C1	O7
U412	C2	N7
U414	C3	M7
U416	C4	M6
U418	C4	M6
U420	E1	N6
U422	E2	O6
U424	E3	M7
U426	E4	M9
U428	E4	M9
U530	G1	N9
U532	G2	O9
U534	G3	M8
U536	G4	N8
U538	G4	O8



A B C D E F G H

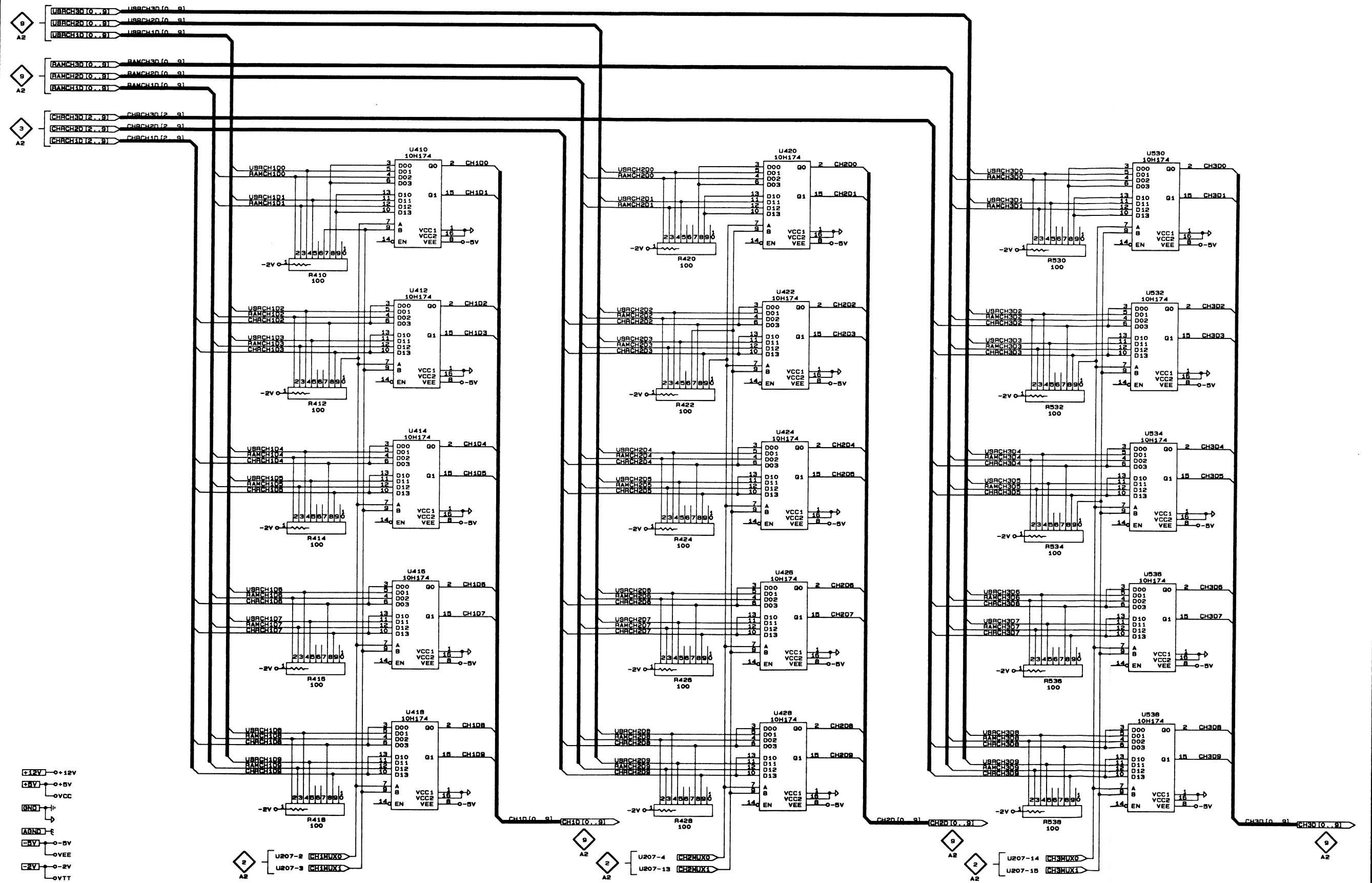
1

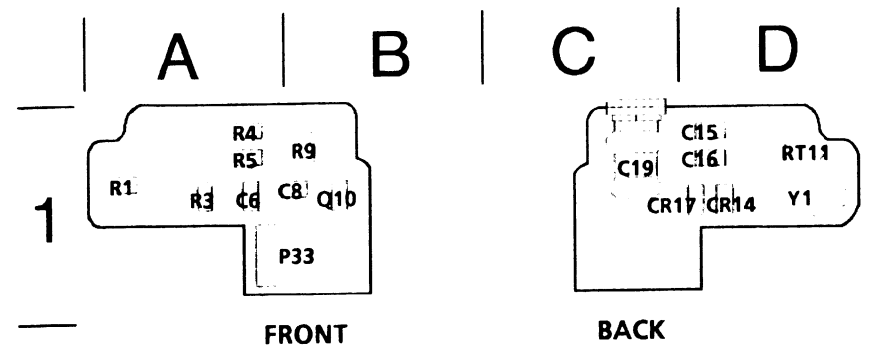
2

3

4

5





**A3A4 OVEN Board**

 **Static Sensitive Devices**  
See Maintenance Section

**Schematic Diagram <5> Look-up Chart  
OSCILLATOR and OVEN Boards**

The schematic diagram has an alpha-numeric grid to assist in locating parts within that diagram. The etched circuit boards follow a numbering sequence starting with the lowest number at the upper left corner, as pictured in this manual.

**ASSEMBLY A2** Partial A2 also shown on diagrams 1, 2, 3, 4, 6, 7, 8, 9, and 10.

CIRCUIT NUMBER	SCHEM LOCATION	BOARD LOCATION	CIRCUIT NUMBER	SCHEM LOCATION	BOARD LOCATION
C600	H4	F7	S605	D2	D8
C601	G4	F6	S606	D2	E8
C602	E4	G6	S607	D3	E8
C603	E5	G6			
DS600	F5	E6	U600	C1	A8
J600	D4	G3	U602	C3	C8
J601	E5	F6	U604	F1	D8
L600	H4	F7	U606	F3	E8
			U610A	D5	G6
P601	E5		VR600	F5	F6
Q600	G4	G7			
Q601	H3	F7			
Q602	F5	G5			
			<b>A3A4 OVEN BOARD</b>		
R600	B1	B8	C6	C5	A1
R602	B2	C8	C8	C5	B1
R604	E1	D8	C15	B5	D1
R606	E2	E8	C16	B5	D1
R610	F4	G7	C17	B4	D1
R611	G4	G7	C19	B5	C1
R612	G3	G7			
R613	G3	G7	CR14	B4	D1
R614	E4	G6			
R615	E4	G6	P33	D4	A1
R616	D5	F6			
R617	D5	F7	Q10	C5	B1
R618	F5	F7			
R619	F5	F6	R1	B4	A1
R620	G5	F6	R3	B4	A1
R621	G5	F7	R4	C4	A1
R622	E5	F6	R5	C5	A1
			R9	C5	B1
S600	A1	A8			
S601	A2	B8	RT11	B4	D1
S602	A2	C8			
S603	A3	C8	Y1	B5	D1
S604	D1	D8			

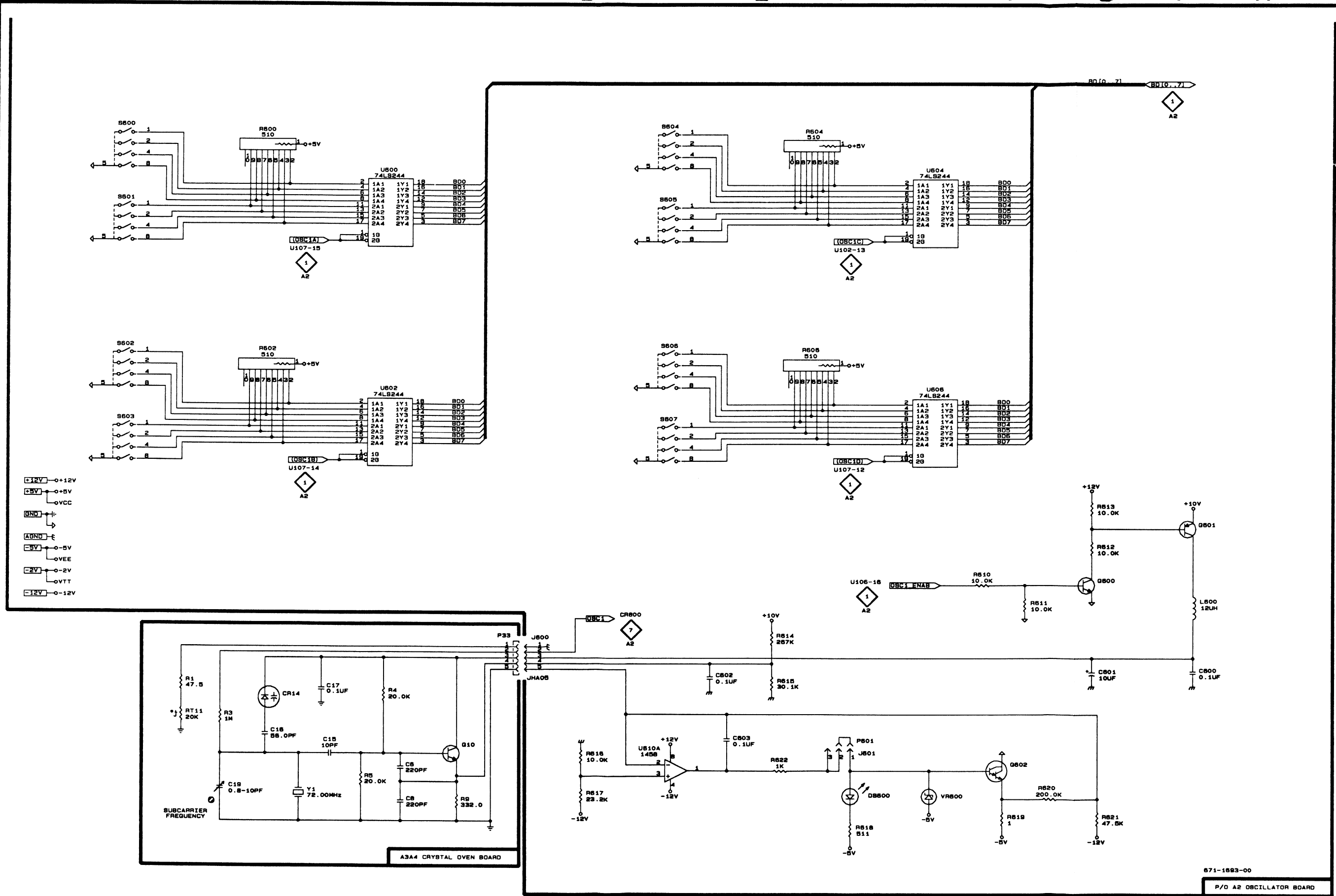
1

2

3

4

5



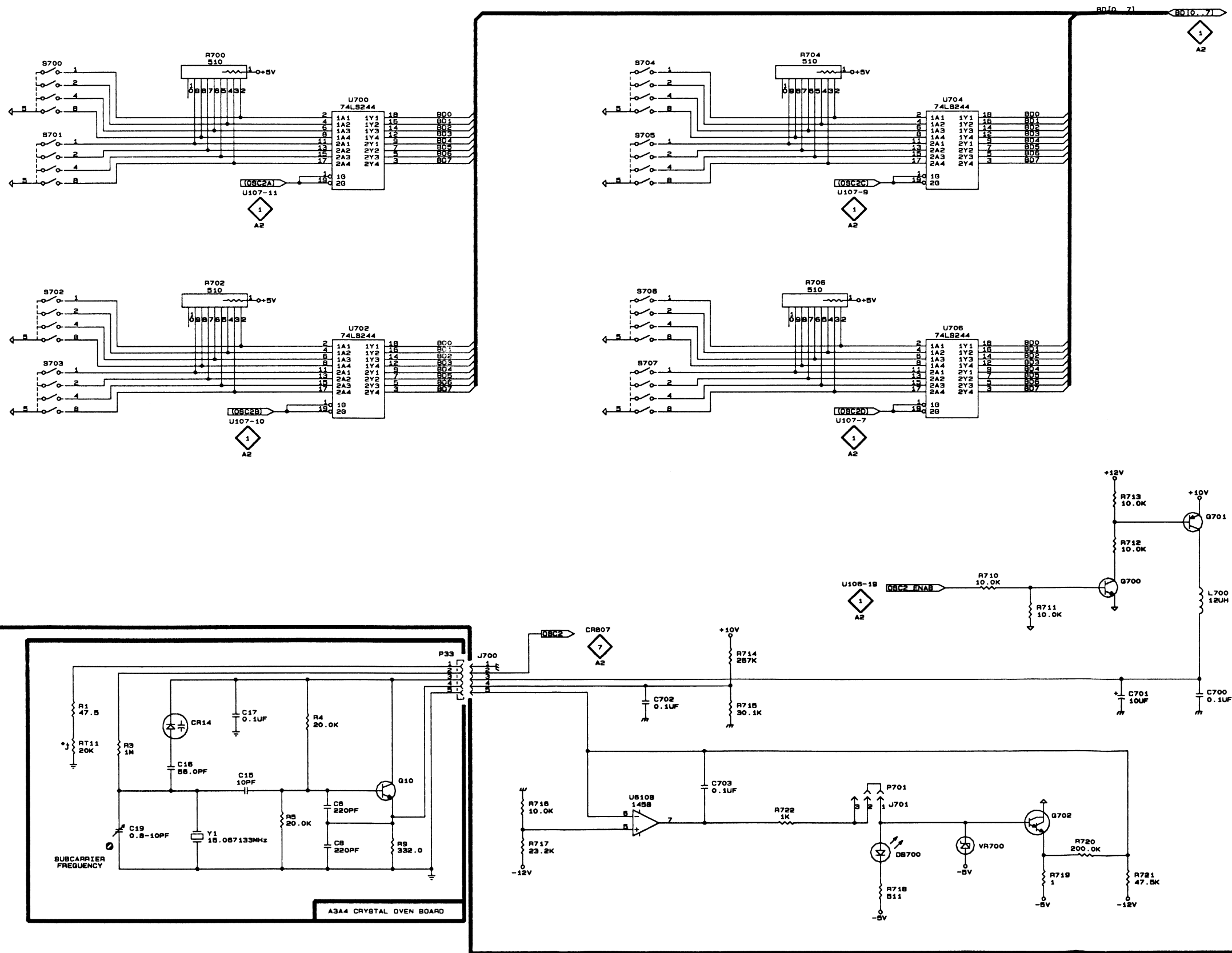
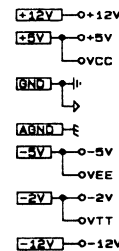
1

2

3

4

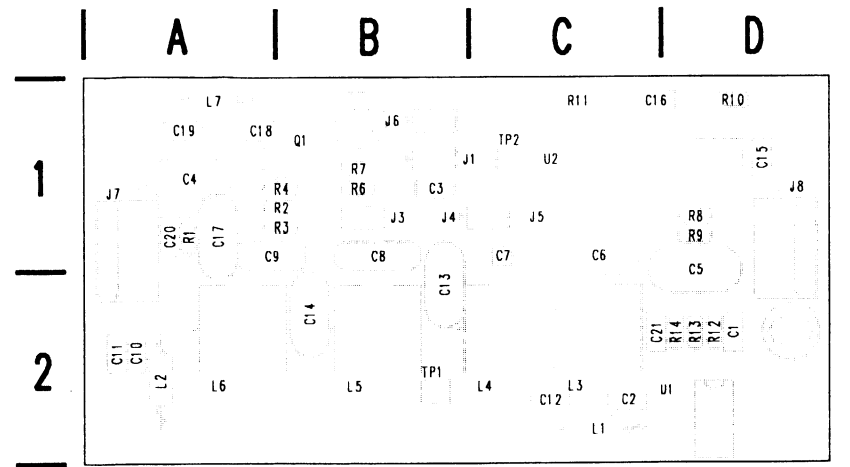
5



**Schematic Diagram <7>  
Look-up Chart  
OSCILLATOR and OSCILLATOR FILTER Boards**

The schematic diagram has an alpha-numeric grid to assist in locating parts within that diagram. The etched circuit boards follow a numbering sequence starting with the lowest number at the upper left corner, as pictured in this manual.

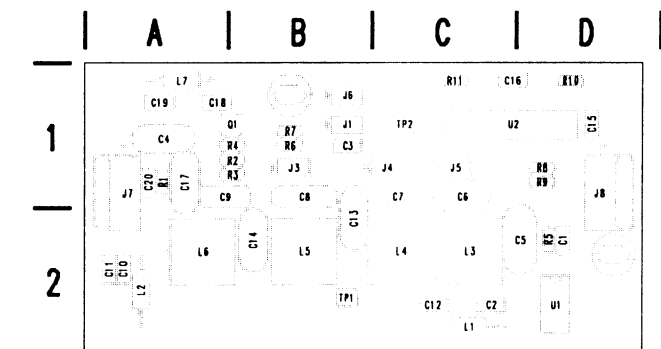
**ASSEMBLY A2.** Partial A2 also shown on diagrams 1, 2, 3, 4, 5, 6, 8, 9, and 10.



**SN B010103 AND UP**

**A2A3 OSCILLATOR FILTER Board**

**Static Sensitive Devices**  
See Maintenance Section

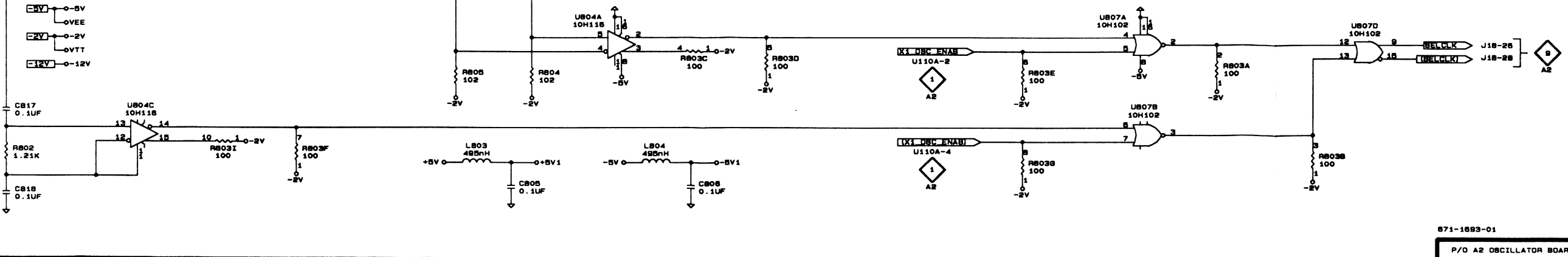
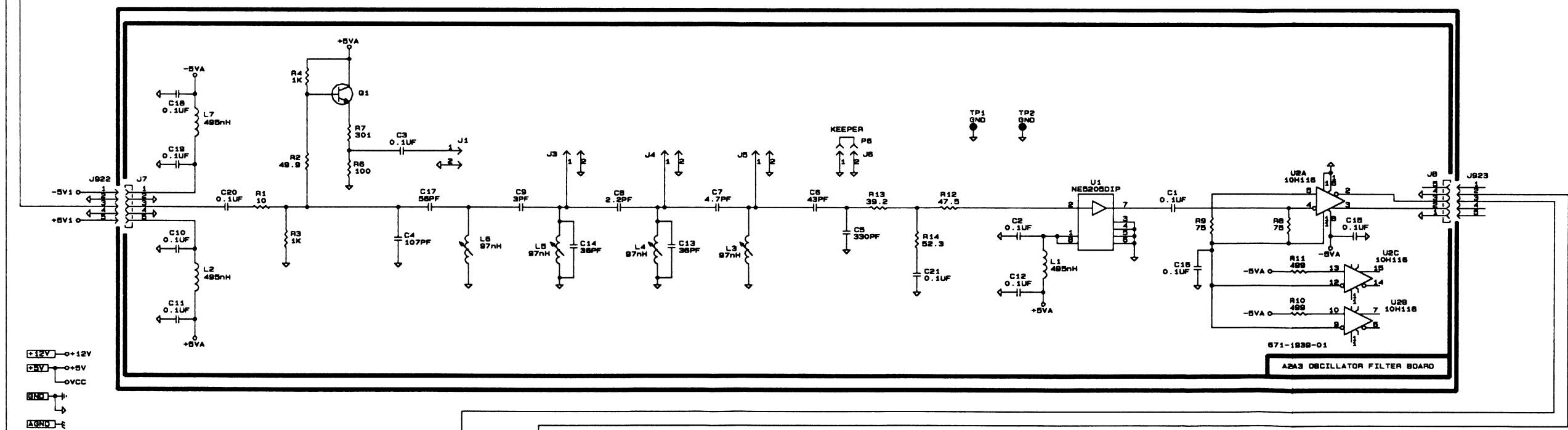
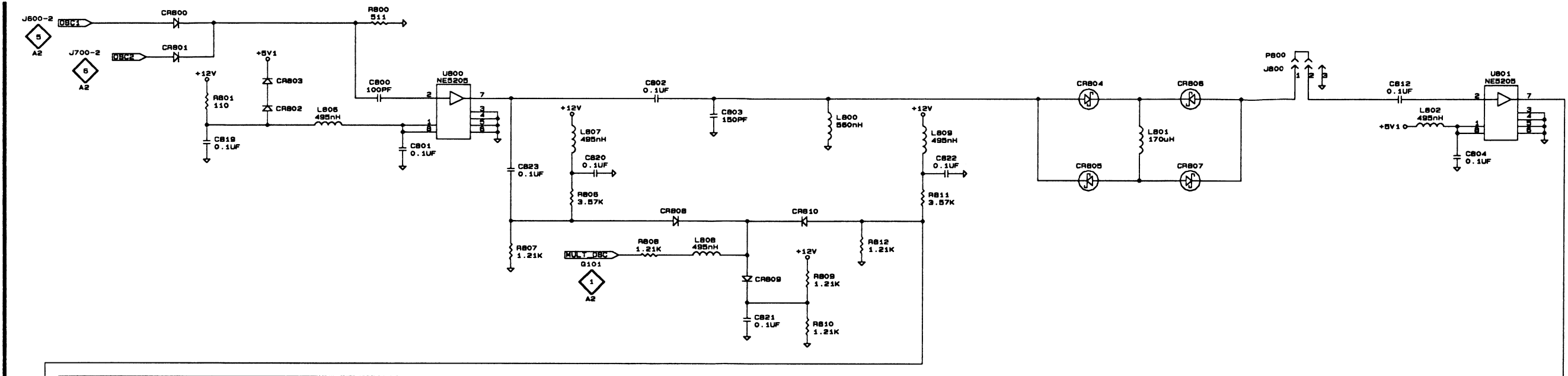


**SN B010102 AND BELOW**

CIRCUIT NUMBER	SCHEM LOCATION	BOARD LOCATION	CIRCUIT NUMBER	SCHEM LOCATION	BOARD LOCATION	CIRCUIT NUMBER	SCHEM LOCATION	BOARD LOCATION
C800	B1	F3	R803E	F5	J1	J5	D3	C1
C801	C1	F2	R803F	B5	J1	J6	D3	B1
C802	D1	E3	R803G	F5	J1	J7	A3	A1
C803	D1	E3	R803I	B5	J1	J8	G3	D1
C804	H1	F1	R804	C5	J2			
						L1	E3	C2
C805	C5	H3	R805	C5	J1	L2	A4	A2
C806	D5	H3	R806	C2	D3	L3	D3	C2
C812	G1	E1	R807	C2	D3	L4	C3	C2
C817	A5	J2	R808	D2	E3	L5	C3	B2
C818	A5	K2	R809	E2	D4			
						L6	C3	A2
C819	A1	F2	R810	E2	D4	L7	A3	A1
C820	C2	E3	R811	E2	E4			
C821	D2	D4	R812	E2	E4	P6	D3	B1
C822	E2	E4						
C823	C2	E3	U800	C1	F3	Q1	B3	B1
			U801	H1	F1			
CR800	A1	F3	U804A	D4	J1	R1	B3	A1
CR801	A1	G3	U804C	A5	J1	R2	B3	B1
CR802	B1	F2	U807A	F4	K1	R3	B3	B1
CR803	B1	E2				R4	B3	B1
CR804	F1	E2	U807B	F5	K1	R6	B3	B1
			U807D	G4	K1			
CR805	F2	E2				R7	B3	B1
CR806	F1	E2				R8	G3	D1
CR807	F2	E1				R9	F3	D1
CR808	D2	D3				R10	G4	D1
CR809	D2	D4				R11	G4	C1
CR810	E2	E4						
						R12	E3	D2
J800	G1	E1	C1	F3	D2	R13	E3	D2
J922	A3	F1	C2	E3	C2	R14	E3	D2
J923	H3	J1	C3	B3	B1			
			C4	B3	A1	TP1	E3	B2
L800	E1	E2	C5	D3	A1	TP2	E3	C1
L801	F1	E2	C6	D3	C1			
L802	H1	E1	C7	D3	C1			
L803	C5	I3	C8	C3	B1			
L804	D5	I3	C9	C3	A1	U1	F3	D2
			C10	A3	A2	U2A	G3	C1
L806	B1	F2				U2B	G4	C1
L807	C1	E3				U2C	G4	C1
L808	D2	E3						
L809	E1	E4						
P800	G1		C11	A4	A2			
			C12	E4	C2			
R800	B1	F3	C13	D3	B2			
R801	A1	F2	C14	C3	B2			
R802	A5	J2	C15	G3	D1			
R803A	G5	J1						
R803B	G5	J1	C16	F4	C1			
			C17	B3	A1			
R803C	D4	J1	C18	A3	A1			
R803D	D5	J1	C19	A3	A1			
			C20	A3	A1			
			C21	E4	D2			
			J1	C3	B1			
			J3	C3	B1			
			J4	D3	C1			

A B C D E F G H

1  
2  
3  
4  
5



### Schematic Diagram <8> Look-up Chart OSCILLATOR Board

The schematic diagram has an alpha-numeric grid to assist in locating parts within that diagram. The etched circuit boards follow a numbering sequence starting with the lowest number at the upper left corner, as pictured in this manual.

**ASSEMBLY A2** Partial A2 also shown on diagrams 1, 2, 3, 4, 5, 6, 7, 9, and 10.

CIRCUIT NUMBER	SCHEM LOCATION	BOARD LOCATION
C900	F1	K4
C902	F2	K4
DL900	C3	J6
DL901	C4	J7
DL910	C1	J4
DL911	C3	J5
J900	C3	J6
J901	C4	J6
J910	C2	J5
J911	C2	J5
J920	E3	J4
J921	F3	K4
R900	B4	K7
R901	C4	K6
R902	D3	J6
R903	D4	J7
R904	D4	K6
R905	D4	K6
R907	B5	J1
R908	B5	J1
R910	B2	K5
R911	B2	K5
R912	C2	J4
R913	C2	J5
R914	C2	K7
R915	C2	K7
R925	F3	J4
R926	F3	K4
R931	D2	L4
R932	F2	K2
R933	F2	K3
U803A	B4	O1
U803B	B5	O1
U803C	B4	O1
U804B	B4	J1
U900A	C4	K6
U900B	D4	K6
U901A	D4	K6
U901C	D2	K6
U902A	D2	K4
U902B	B2	K4
U902C	C2	K4
U905A	F1	K3
U905B	F2	K3
U905C	F2	K3
U906	G3	J3
U907	E2	L3
U908A	F1	K3
U908D	D3	K3





**Schematic Diagram <9> Look-up Chart  
OSCILLATOR Board**

The schematic diagram has an alpha-numeric grid to assist in locating parts within that diagram. The etched circuit boards follow a numbering sequence starting with the lowest number at the upper left corner, as pictured in this manual.

**ASSEMBLY A2** *Partial A2 also shown on diagrams 1, 2, 3, 4, 5, 6, 7, 8, and 10.*

CIRCUIT NUMBER	SCHEM LOCATION	BOARD LOCATION
J15	B3	P10
J16	B1	P8
J17	G1	K1
J18	G3	M1
J20	D1	O8
J21	D3	O10

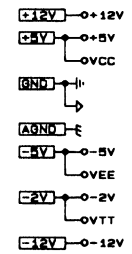
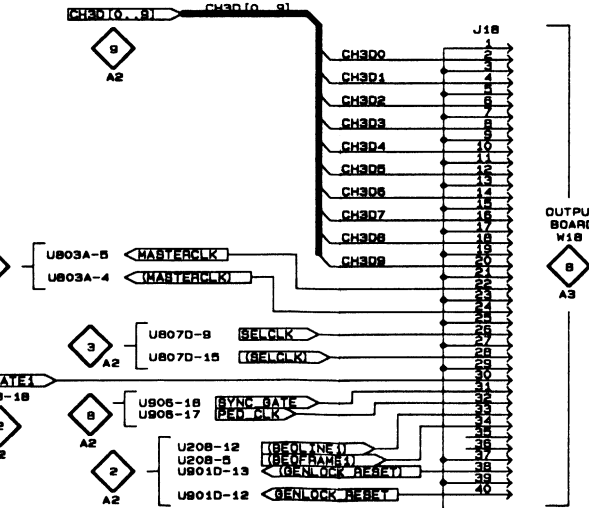
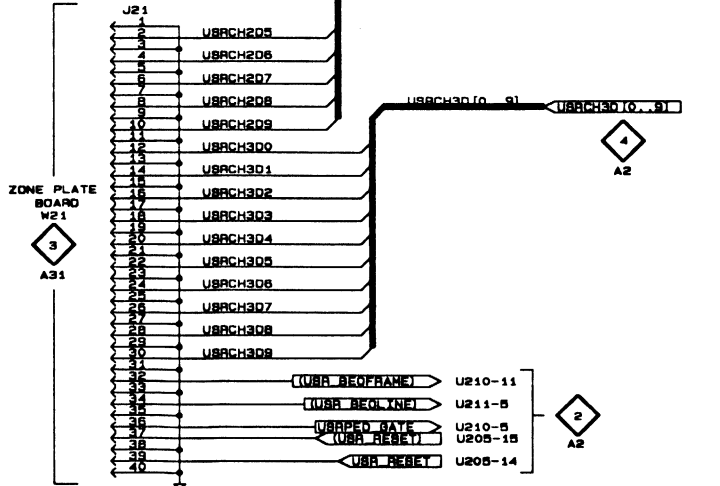
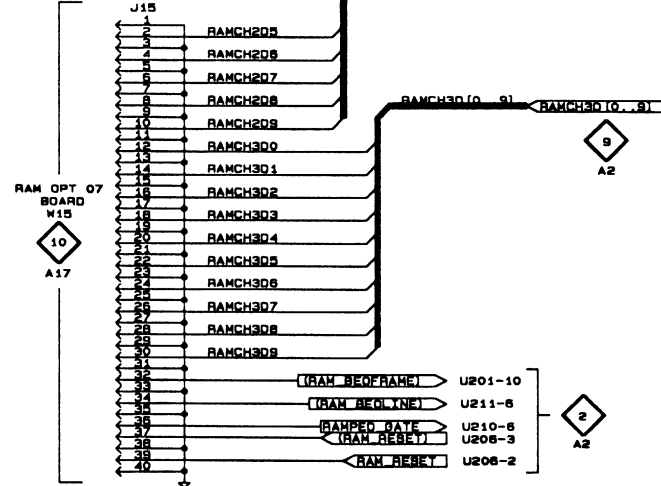
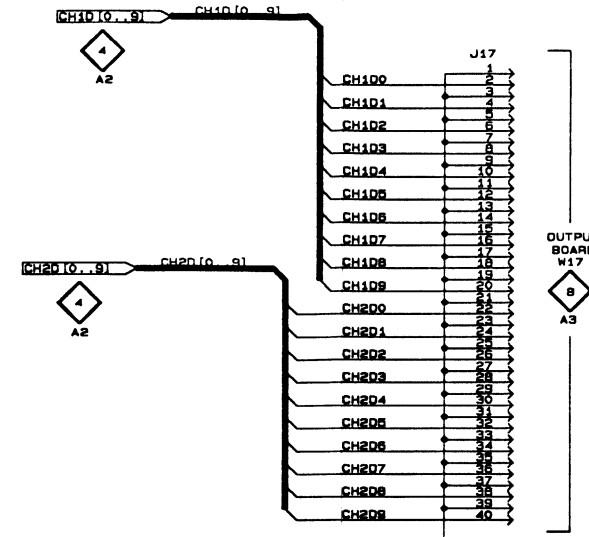
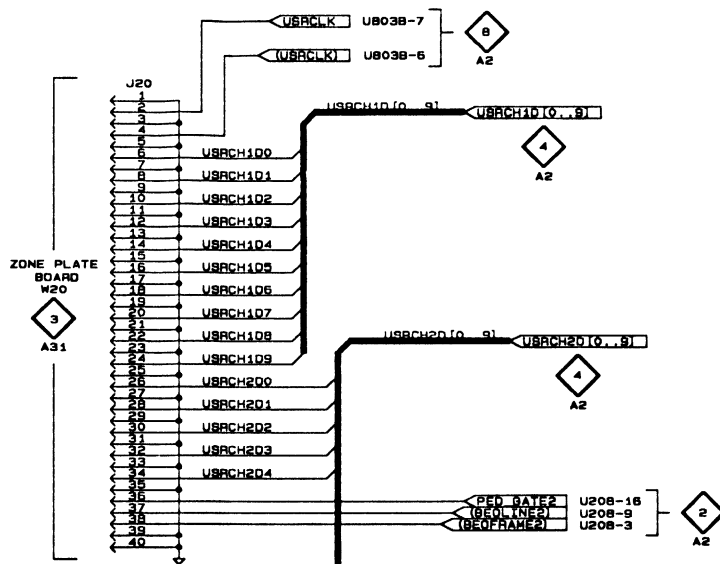
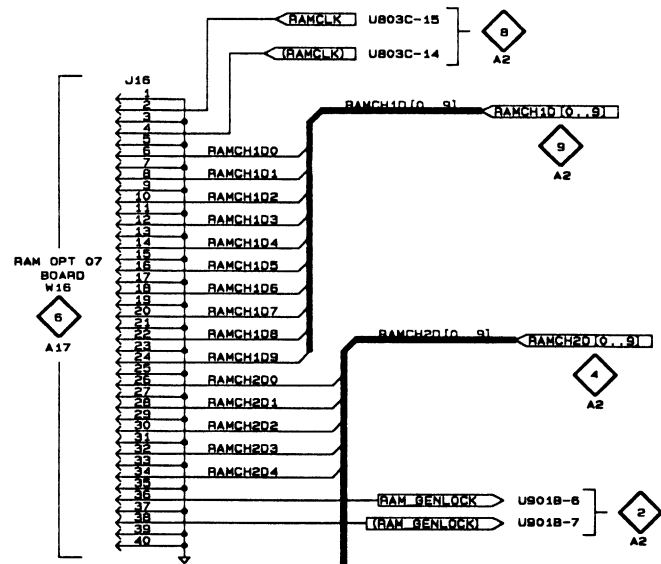
1

2

3

4

5



671-1693-00

P/O A2 OSCILLATOR BOARD

### Schematic Diagram <10> Look-up Chart OSCILLATOR Board

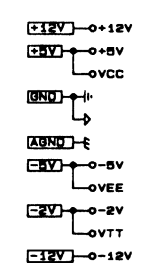
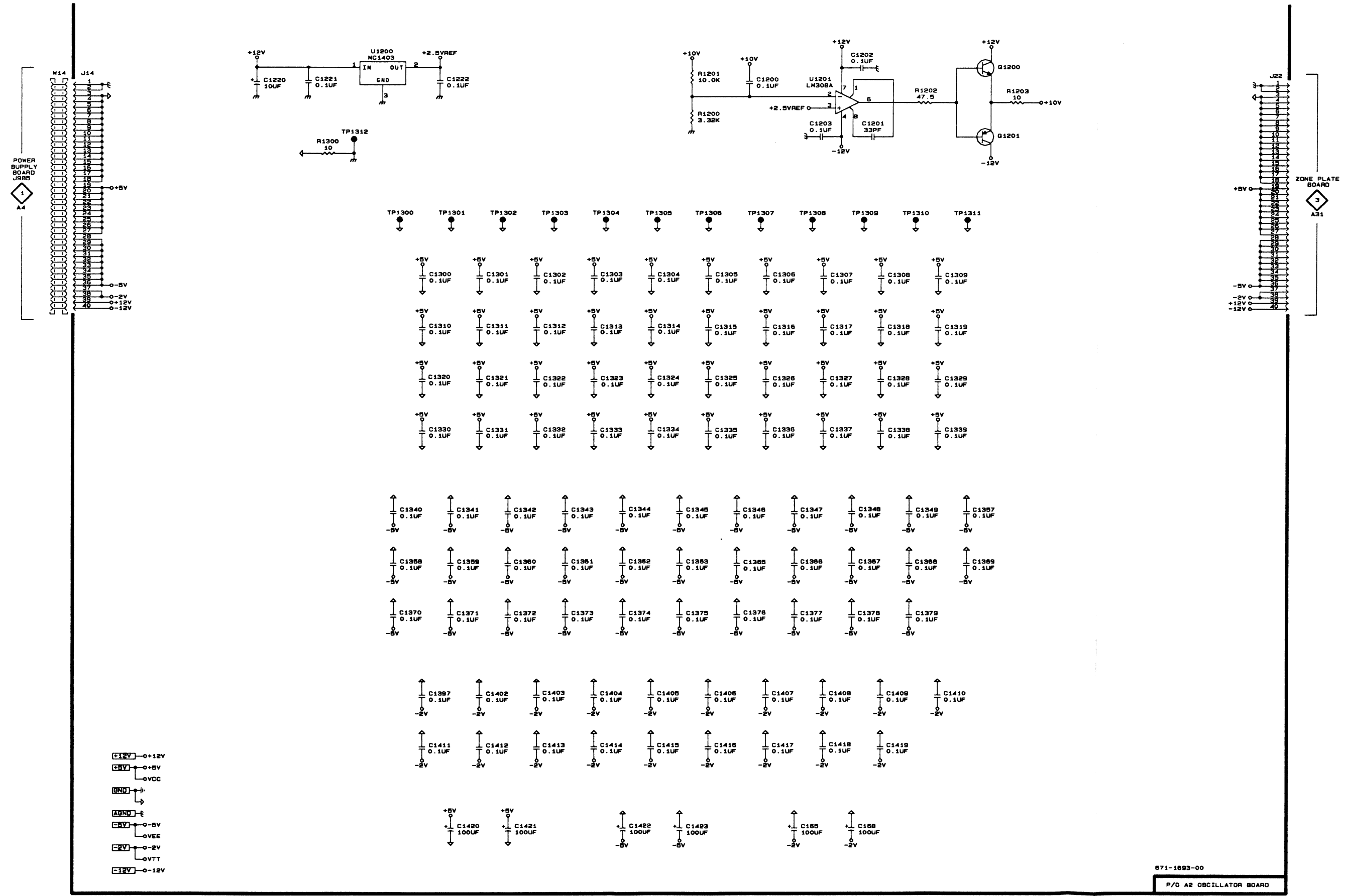
The schematic diagram has an alpha-numeric grid to assist in locating parts within that diagram. The etched circuit boards follow a numbering sequence starting with the lowest number at the upper left corner, as pictured in this manual.

**ASSEMBLY A2** *Partial A2 also shown on diagrams 1, 2, 3, 4, 5, 6, 7, 8, and 9.*

CIRCUIT NUMBER	SCHEM LOCATION	BOARD LOCATION	CIRCUIT NUMBER	SCHEM LOCATION	BOARD LOCATION	CIRCUIT NUMBER	SCHEM LOCATION	BOARD LOCATION
C165	E5	O2	C1336	E3	D2	C1410	F4	M7
C168	E5	K7	C1337	E3	K4	C1411	C5	M7
C1200	E1	I6	C1338	F3	J2	C1412	C5	J6
C1201	F1	I6	C1339	F3	K9	C1413	D5	K7
C1202	F1	I6	C1340	C3	F9	C1414	D5	N6
C1203	E1	I6	C1341	C3	G9	C1415	D5	M6
C1220	B1	I6	C1342	C3	L10	C1416	E5	M6
C1221	B1	I6	C1343	D3	K10	C1417	E5	K2
C1222	C1	I7	C1344	D3	J10	C1418	E5	K4
C1300	C2	B4	C1345	D3	I9	C1419	F5	K2
C1301	C2	B6	C1346	E3	H9	C1420	C5	O2
C1302	D2	C6	C1347	E3	H9	C1421	C5	C5
C1303	D2	D6	C1348	E3	G9	C1422	D5	O1
C1304	D2	E6	C1349	F3	K7	C1423	D5	B5
C1305	E2	A1	C1357	F3	J4			
C1306	E2	B1	C1358	C4	K5	J14	A1	P5
C1307	E2	C1	C1359	C4	L4	J22	H1	P3
C1308	F2	C1	C1360	C4	O2			
C1309	F2	A2	C1361	D4	K4	Q1200	F1	H7
C1310	C2	B2	C1362	D4	J2	Q1201	F1	H6
C1311	C2	C2	C1363	D4	M9			
C1312	D2	C2	C1365	E4	M8	R1200	E1	I6
C1313	D2	B4	C1366	E4	N8	R1201	E1	I6
C1314	D2	C4	C1367	E4	L9	R1202	F1	I7
C1315	E2	B8	C1368	F4	M7	R1203	F1	I6
C1316	E2	C8	C1369	F4	M7	R1300	B1	J6
C1317	E2	D8	C1370	C4	O7			
C1318	F2	E8	C1371	C4	K7	TP1300	C2	B1
C1319	F2	F8	C1372	C4	M10	TP1301	C2	D2
C1320	C3	F9	C1373	D4	J9	TP1302	C2	J1
C1321	C3	G8	C1374	D4	N10	TP1303	D2	O1
C1322	D3	G9	C1375	D4	O9	TP1304	D2	A5
C1323	D3	G8	C1376	E4	N9	TP1305	D2	F7
C1324	D3	H8	C1377	E4	M10	TP1306	E2	K5
C1325	E3	G9	C1378	E4	K9	TP1307	E2	O6
C1326	E3	H9	C1379	F4	N7	TP1308	E2	A9
C1327	E3	H8	C1397	C4	M10	TP1309	F2	F10
C1328	F3	I8	C1402	C4	K10	TP1310	F2	I10
C1329	F3	H9	C1403	D4	L8	TP1311	F2	M10
C1330	C3	I9	C1404	D4	M9	TP1312	C1	I7
C1331	C3	K8	C1405	D4	N8			
C1332	D3	J8	C1406	E4	M8	U1200	C1	I7
C1333	D3	J9	C1407	E4	O7	U1201	E1	I6
C1334	D3	J8	C1408	E4	O6			
C1335	E3	J9	C1409	F4	N7	W14	A1	

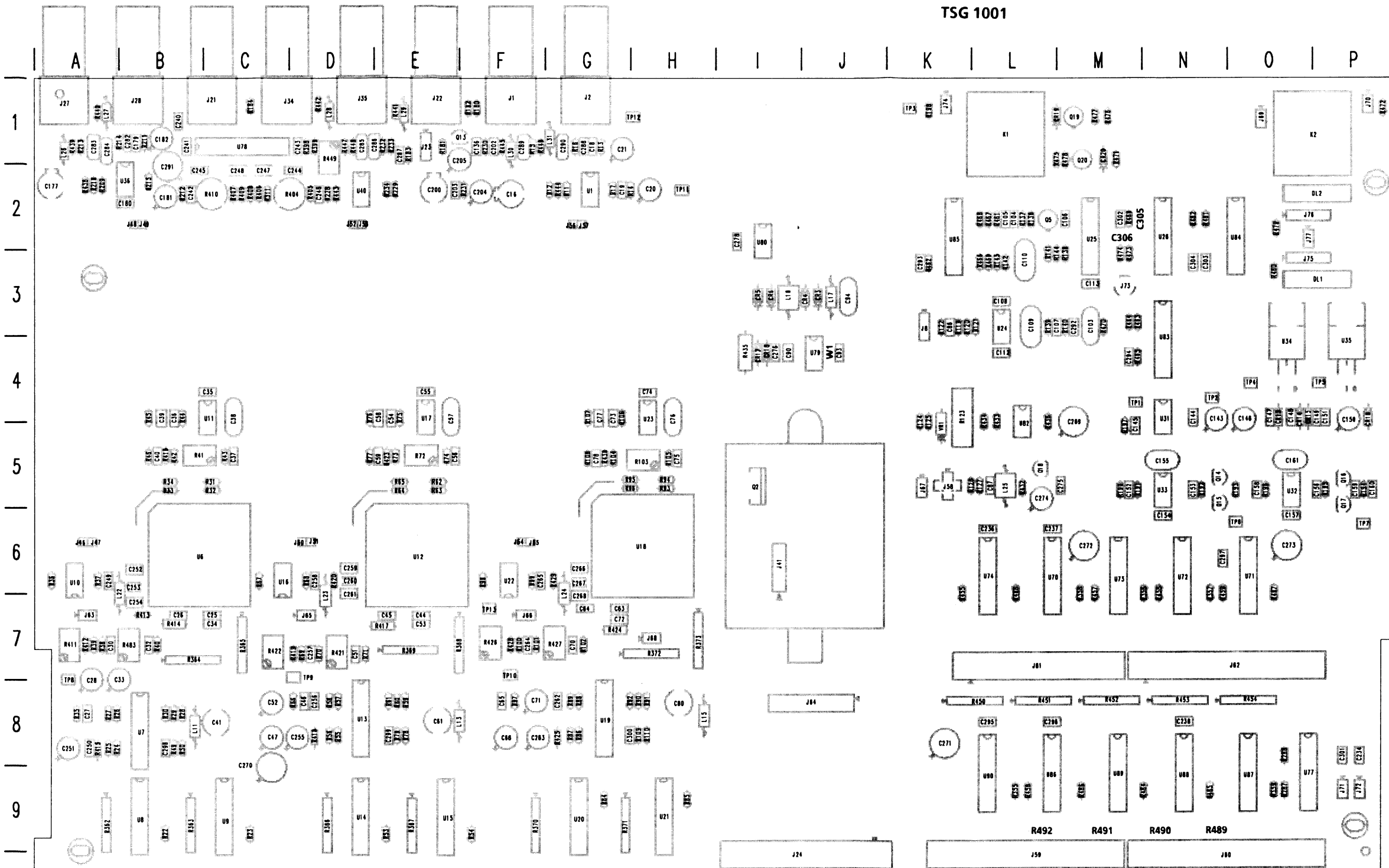
A B C D E F G H

1  
2  
3  
4  
5



871-1693-00

P/O A2 OSCILLATOR BOARD



A3 OUTPUT Board

### Schematic Diagram < 1 > Look-up Chart OUTPUT Board

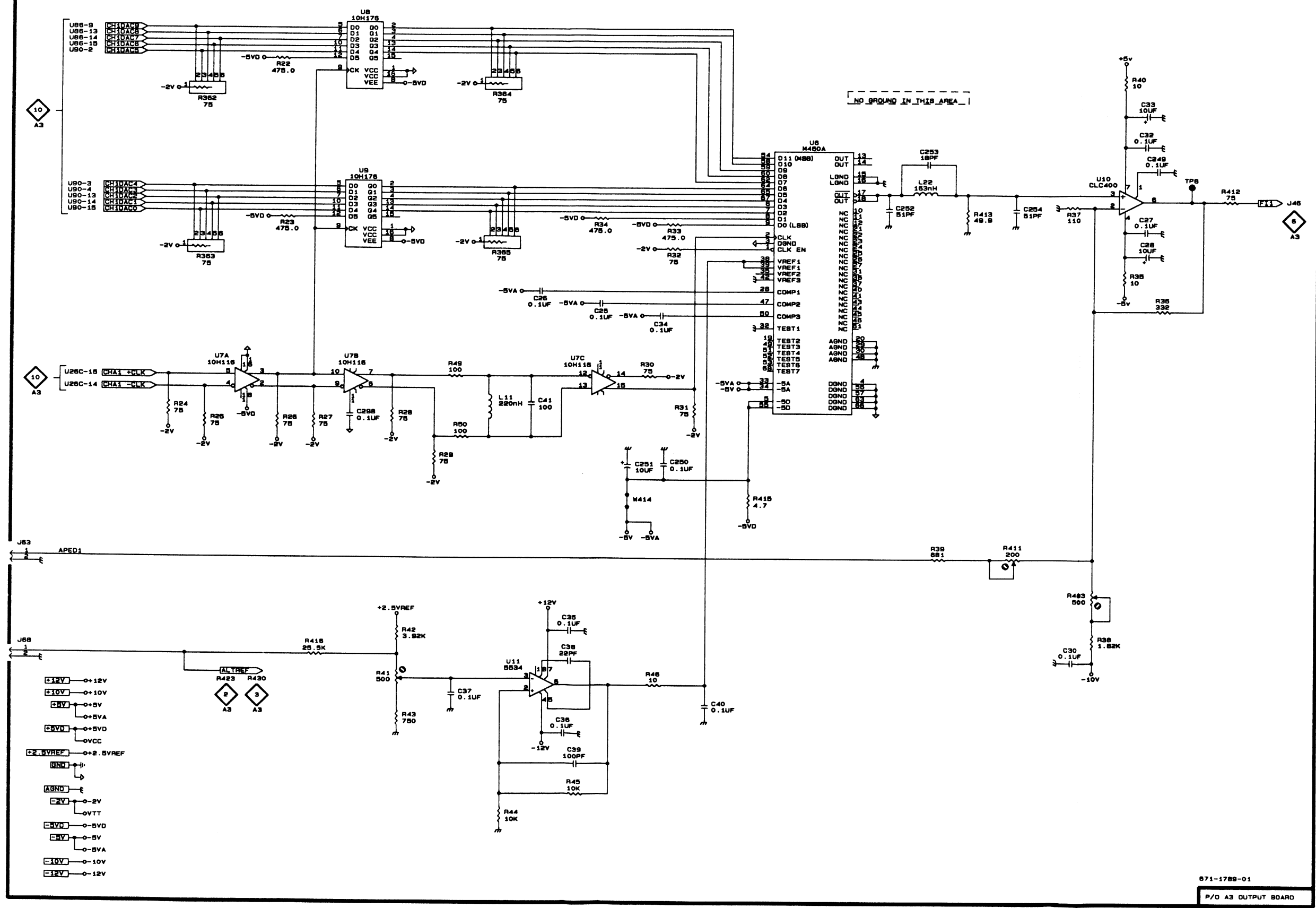
The schematic diagram has an alpha-numeric grid to assist in locating parts within that diagram. The etched circuit boards follow a numbering sequence starting with the lowest number at the upper left corner, as pictured in this manual.

**ASSEMBLY A3** Partial A3 also shown on diagrams 2, 3, 4, 5, 6, 7, 8, and 9.

CKT NO.	SCHEM LOC	BD LOC	CKT NO.	SCHEM LOC	BD LOC
C25	D2	C7	R34	D2	B5
C26	D2	B7	R35	G2	A8
C27	G2	A8	R36	G2	A6
C28	G2	A8	R37	G2	A6
C30	G4	A7	R38	G4	A7
C32	G2	B7	R39	F4	A7
C33	G1	B8	R40	G1	B7
C34	E2	C7	R41	C4	B5
C35	D4	C4	R42	C4	B5
C36	D5	B5	R43	C4	C5
C37	C4	C5	R44	D5	B5
C38	D4	C5	R45	D5	B5
C39	D5	B4	R46	E4	B5
C40	E4	B5	R49	C3	B8
C41	D3	C8	R50	C3	B8
C249	G2	A6	R362	B1	A9
C250	E3	A8	R363	B2	B9
C251	D3	A9	R364	D1	B7
C252	F2	B6	R365	D2	C7
C253	F2	B6	R411	F4	A7
C254	G2	B7	R412	H2	A7
C298	C3	B8	R413	F2	B7
J63	A4	A7	R415	E3	A8
J68	A4	H7	R416	C4	B5
			R483	G4	B7
L11	D3	B8	TP8	G2	A7
L22	F2	B7	U6	E2	B5
R22	B1	B9	U7A	B3	B9
R23	B2	C9	U7B	C3	B9
R24	B3	B8	U7C	D3	B9
R25	B3	A8	U8	C1	B10
R26	B3	B8	U9	C2	
R27	C3	A8			C1
R28	C3	B8			0
R29	C3	B8	U10	G2	A7
R30	D3	B8	U11	D4	B5
R31	E3	C5			
R32	E2	C5	W414	D3	B7
R33	E2	B5			

A B C D E F G H

1  
2  
3  
4  
5



TSG 1001

671-1788-01

P/O A3 OUTPUT BOARD

### Schematic Diagram <2> Look-up Chart OUTPUT Board

The schematic diagram has an alpha-numeric grid to assist in locating parts within that diagram. The etched circuit boards follow a numbering sequence starting with the lowest number at the upper left corner, as pictured in this manual.

**ASSEMBLY A3** *Partial A3 also shown on diagrams 1, 3, 4, 5, 6, 7, 8, and 9.*

CIRCUIT NUMBER	SCHEM LOCATION	BOARD LOCATION	CIRCUIT NUMBER	SCHEM LOCATION	BOARD LOCATION
C44	D2	E7	R64	E2	E5
C45	D2	E7	R65	D2	E5
C46	G2	D8	R66	G2	D8
C47	G2	C8	R67	G2	C6
C51	G2	D7	R68	G2	D6
C52	G1	C8	R69	G4	D7
C53	E2	E7	R70	F4	D7
C54	D4	E5	R71	G1	D7
C55	D4	E4	R72	C4	E5
C56	C4	E5	R73	C4	E5
C57	D4	E5	R74	C4	E5
C58	D5	E4	R75	C5	E5
C59	E4	E5	R76	D5	D5
C61	D3	E8	R77	D4	D5
C255	E3	D8	R78	C3	E8
C256	D3	D8	R79	C3	E8
C257	G4	D7	R366	B1	D9
C258	G2	D6	R367	B2	E9
C259	F2	D6	R368	D2	F7
C260	F2	D6	R369	D1	E7
C261	F2	D7	R418	E3	D8
C299	C3	E8	R419	H2	D7
			R420	F2	D6
J65	A4	C7	R421	F4	D7
			R422	G4	C7
L13	D3	F8	R423	B4	E5
L23	F2	D7			
			TP9	G2	D8
R53	B1	E9			
R54	B2	F9	U12	E2	E5
R55	B3	D8	U13A	B3	D9
R56	B3	D8	U13B	C3	D9
R57	B3	D8	U13C	D3	D9
R58	C3	D8	U14	C1	D10
R59	C3	E8	U15	C2	E10
R60	C3	E8	U16	G2	C7
R61	D3	E8	U17	D4	E5
R62	E3	E5			
R63	E2	E5	W417	D3	E7

A B C D E F G H

1

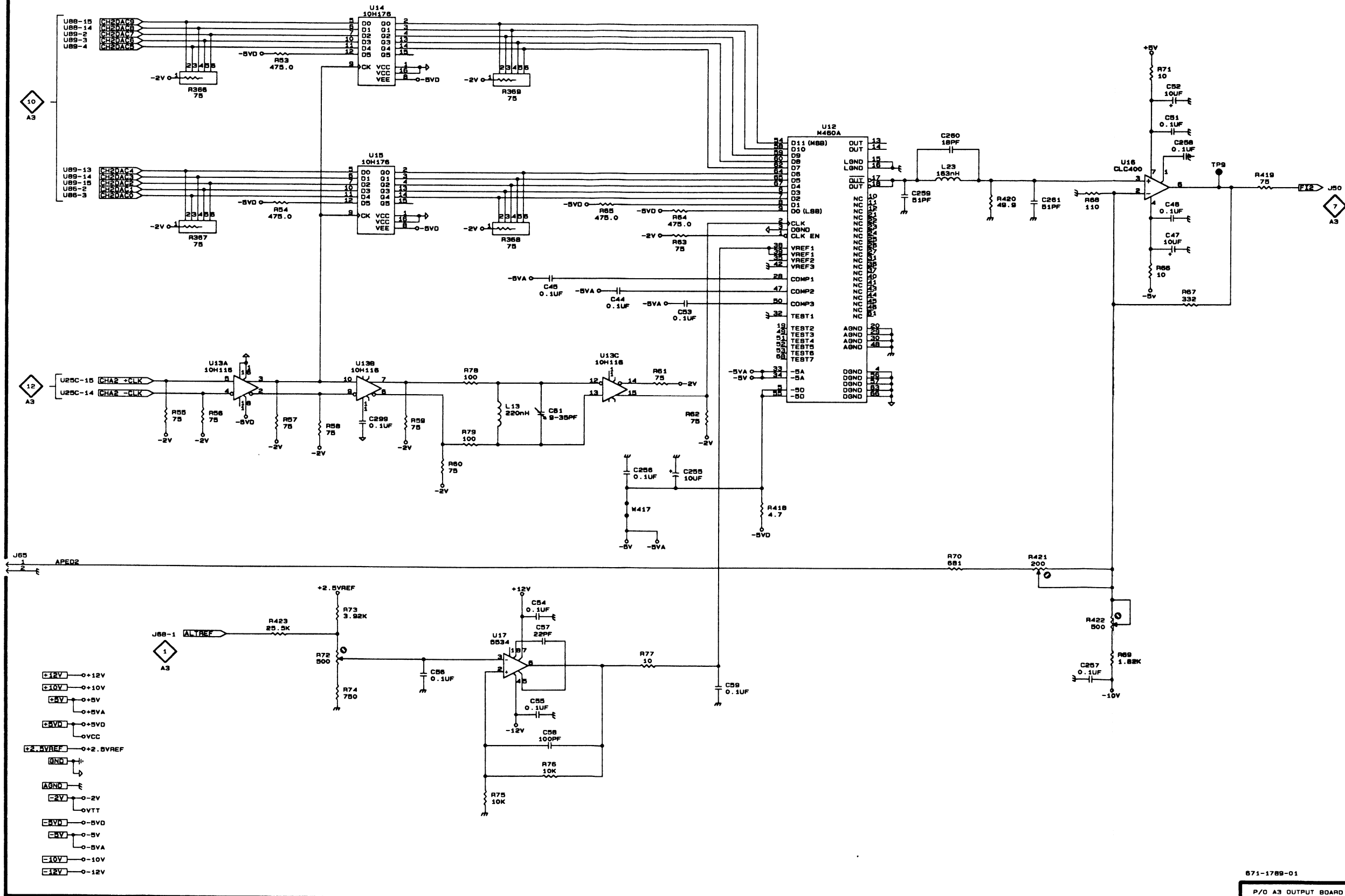
2

3

4

5

P2 PEDESTAL BOARD  
1 A7



TSG 1001

CHANNEL 2

A3



### Schematic Diagram <3> Look-up Chart OUTPUT Board

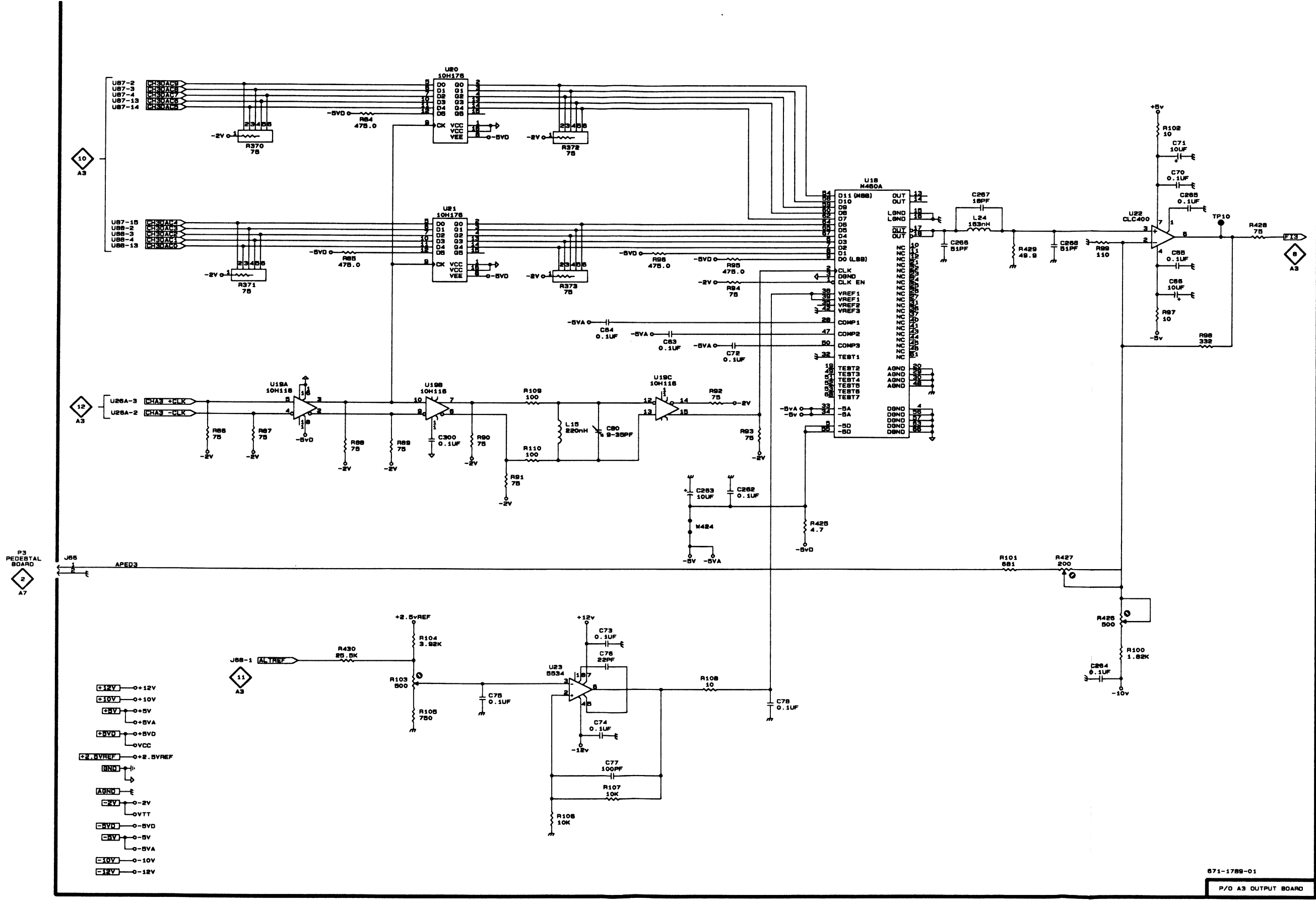
The schematic diagram has an alpha-numeric grid to assist in locating parts within that diagram. The etched circuit boards follow a numbering sequence starting with the lowest number at the upper left corner, as pictured in this manual.

**ASSEMBLY A3** *Partial A3 also shown on diagrams 1, 2, 4, 5, 6, 7, 8, and 9.*

CIRCUIT NUMBER	SCHEM LOCATION	BOARD LOCATION	CIRCUIT NUMBER	SCHEM LOCATION	BOARD LOCATION
C63	D2	G7	R95	E2	G5
C64	D2	G7	R96	D2	G5
C65	G2	F8	R97	G2	F8
C66	G2	F8	R98	H2	F6
C70	G2	G7	R99	G2	F6
C71	G1	F8	R100	G4	F7
C72	E2	G7	R101	F4	F7
C73	D4	G5	R102	G1	G7
C74	D5	H4	R103	C4	H5
C75	C4	H5	R104	C4	G5
C76	D4	H5	R105	C4	H5
C77	D5	G4	R106	D5	G5
C78	E4	G5	R107	D5	G5
C80	D3	H8	R108	E4	G5
C262	E3	G8	R109	D3	H8
C263	E3	F8	R110	D3	H8
C264	G4	F7	R370	B1	F9
C265	G2	F6	R371	B2	G9
C266	F2	G6	R372	D1	H7
C267	F2	G6	R373	D2	H7
C268	G2	G7	R425	E3	G8
C300	C3	H8	R426	G4	F7
J66	A4	F7	R427	G4	G7
L15	D3	H8	R428	H2	F7
L24	F2	G7	R429	F2	G6
R84	C1	G9	R430	C4	G5
R85	C2	H9	TP10	H2	F7
R86	B3	G8	U18	E2	H5
R87	B3	G8	U19A	B3	G9
R88	C3	G8	U19B	C3	G9
R89	C3	G8	U19C	D3	G9
R90	C3	H8	U20	C1	G10
R91	C3	H8	U21	C2	H10
R92	E3	H8	U22	G2	F7
R93	E3	H5	U23	D4	H5
R94	E2	H5	W424	E3	G3

A B C D E F G H

1  
2  
3  
4  
5



### Schematic Diagram <4> Look-up Chart OUTPUT Board

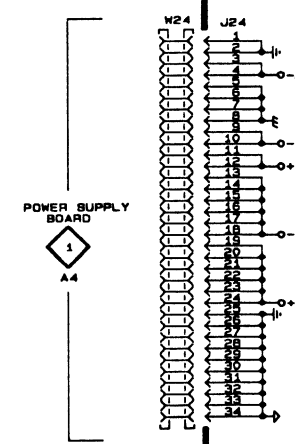
The schematic diagram has an alpha-numeric grid to assist in locating parts within that diagram. The etched circuit boards follow a numbering sequence starting with the lowest number at the upper left corner, as pictured in this manual.

**ASSEMBLY A3** *Partial A3 also shown on diagrams 1, 2, 3, 5, 6, 7, 8, and 9.*

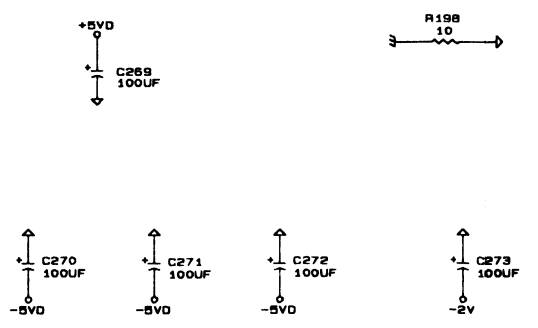
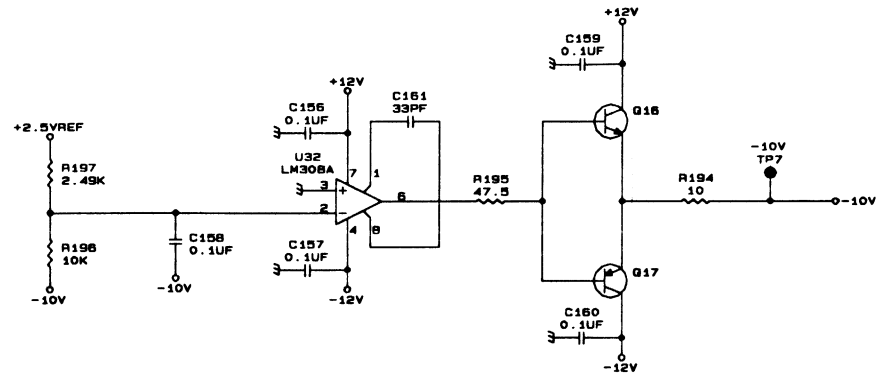
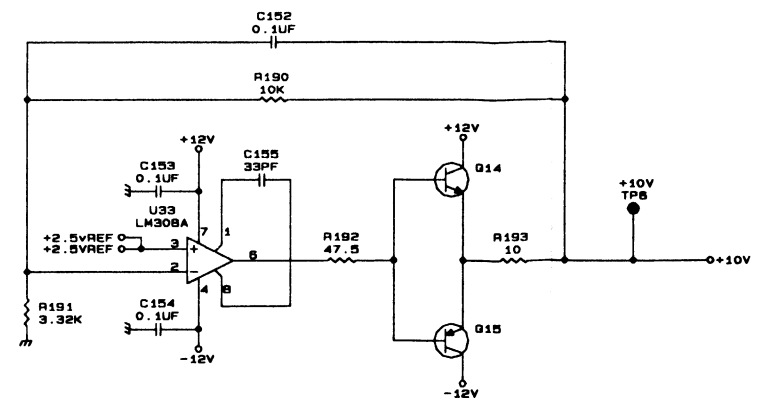
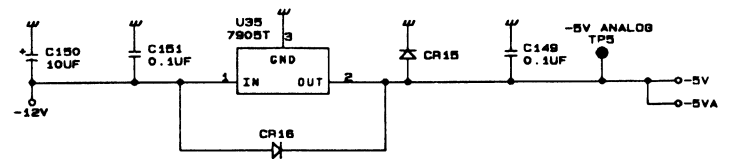
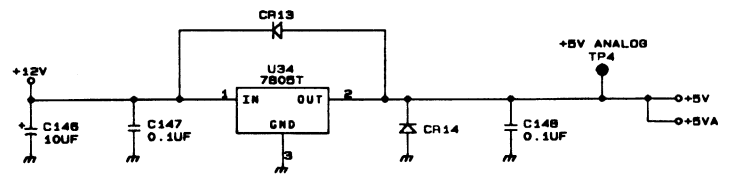
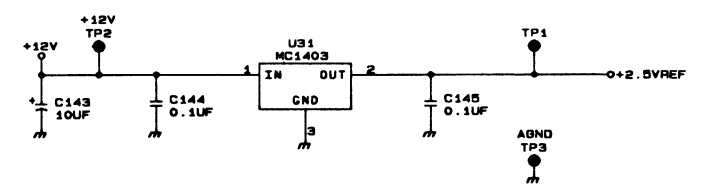
CIRCUIT NUMBER	SCHEM LOCATION	BOARD LOCATION
C143	B1	N5
C144	C1	N5
C145	C1	M5
C146	B3	O5
C147	C3	O5
C148	D3	O5
C149	D4	P5
C150	B4	P5
C151	C4	P5
C152	F1	M5
C153	F1	N5
C154	F2	N6
C155	F1	N5
C156	F3	P5
C157	F3	O6
C158	F3	O5
C159	G2	P5
C160	G3	P5
C161	F3	O5
C269	F4	M4
C270	F4	C9
C271	F4	K8
C272	F4	M6
C273	G4	O6
CR13	C2	O5
CR14	C3	O5
CR15	C4	O5
CR16	C4	P5
J24	A3	I9
Q14	G1	N5
Q15	G2	N6
Q16	G3	P5
Q17	G3	P6
R190	F1	M5
R191	E2	M5
R192	F2	N5
R193	G2	O5
R194	G3	P5
R195	F3	P5
R196	E3	O5
R197	E3	M5
R198	G4	K1
TP1	D1	M4
TP2	C1	N4
TP3	D1	K1
TP4	D2	O4
TP5	D4	P4
TP6	G1	O6
TP7	G3	P6
U31	C1	N5
U32	F3	O5
U33	F1	N5
U34	C2	O4
U35	C4	P4
W24	A3	

A B C D E F G H

1  
2  
3  
4  
5



- C12V → +12V
- C10V → +10V
- C5V → +5V
- C5VA → +5VA
- C5VD → +5VD
- C5VCC → +5VCC
- C2.5VREF → +2.5VREF
- GND → GND
- AGND → AGND
- C2V → -2V
- C5V → -5V
- C5VD → -5VD
- C5VCC → -5VCC
- C5V → -5V
- C5VA → -5VA
- C10V → -10V
- C12V → -12V

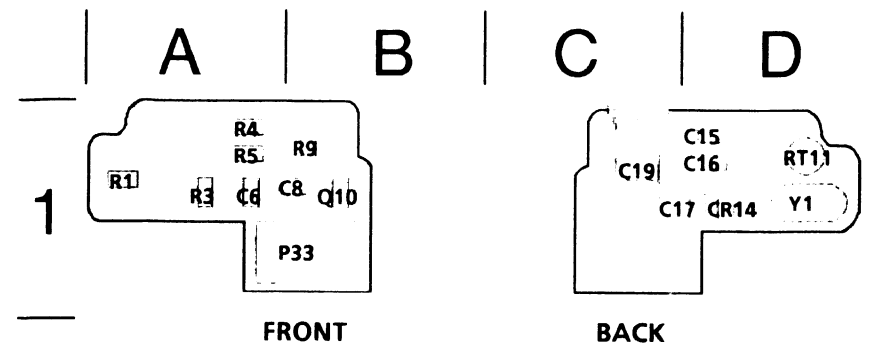


871-1788-01  
P/O A3 OUTPUT BOARD

**Schematic Diagram <5> Look-up Chart  
OUTPUT, FOISC, and OVEN Boards**

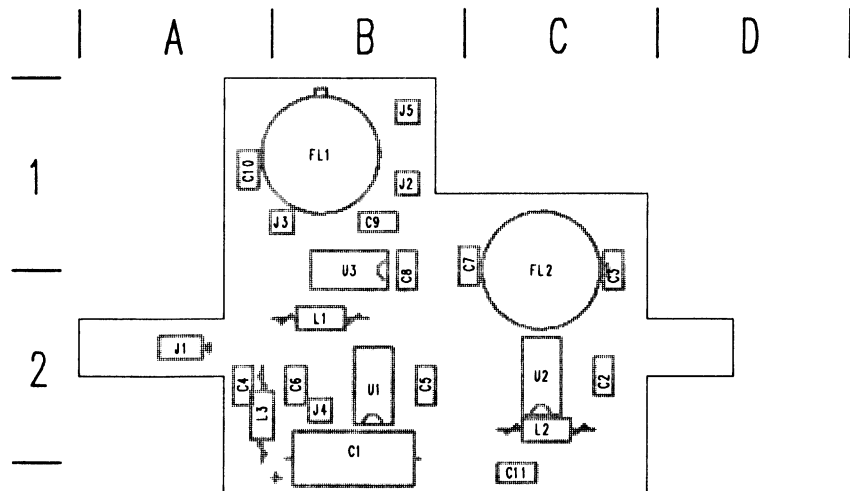
The schematic diagram has an alpha-numeric grid to assist in locating parts within that diagram. The etched circuit boards follow a numbering sequence starting with the lowest number at the upper left corner, as pictured in this manual.

**ASSEMBLY A3** Partial A3 also shown on diagrams 1, 2, 3, 4, 6, 7, 8, and 9.



**A3A4 OVEN Board**

 **Static Sensitive Devices**  
See Maintenance Section



**A3A5 FOISC Board**

CIRCUIT NUMBER	SCHEM LOCATION	BOARD LOCATION	CIRCUIT NUMBER	SCHEM LOCATION	BOARD LOCATION
C86	E5	K3	<b>A3A4 OVEN BOARD</b>		
C87	F4	L5	C6	B4	A1
C90	E3	I4	C8	B4	B1
C93	F3	J4	C15	B4	D1
C94	F3	J3	C16	B4	D1
C274	E4	L6	C17	B3	D1
C275	D4	M5	C19	A4	C1
C276	E4	I4	CR14	B3	D1
C278	H3	I2	P33	C3	A1
C305	G3	M2	Q10	C4	B1
C306	G4	M2	R1	A3	A1
CR3	G3	J3	R3	A4	A1
CR4	G3	J3	R4	B3	A1
CR5	G3	I3	R5	B4	A1
CR6	G3	I3	R9	C4	B1
CR17	E3	I4	RT11	A4	D1
CR18	E3	I4	Y1	B4	D1
J8	F5	K3	<b>A3A5 FOISC BOARD</b>		
J41	C3	I6	C1	G2	B2
J58	F4	K5	C2	E2	C2
J67	C5	K5	C3	E1	C2
L17	F3	J3	C4	G1	A2
L18	G3	I3	C5	F1	B2
L25	E4	L5	C6	F2	B2
P8	F5		C7	E1	B2
P58	F4		C8	D2	B2
Q2	F5	I5	C9	C1	B1
Q18	F4	L5	C10	C1	A1
R119	D5	K3	C11	C2	C2
R120	D5	K3	FL1	C2	B1
R121	D5	L3	FL2	E2	C2
R122	E5	K3	J1	G1	A2
R123	F5	K5	L1	D2	B2
R124	G5	K5	L2	E2	C2
R125	G5	K5	L3	F2	A2
R126	E4	L5	U1	G2	B2
R127	D4	L5	U2	F2	C2
R432	F4	L5	U3	D2	B2
R433	F4	L5	VR1	F5	K5
R434	G4	L5	W1	E3	I4
R435	E3	I4	W2	G1	
R436	F4	L5			
U24A	E5	L3			
U79	E3	J4			
U80	H3	I3			
U82	G4	L5			



A B C D E F G H

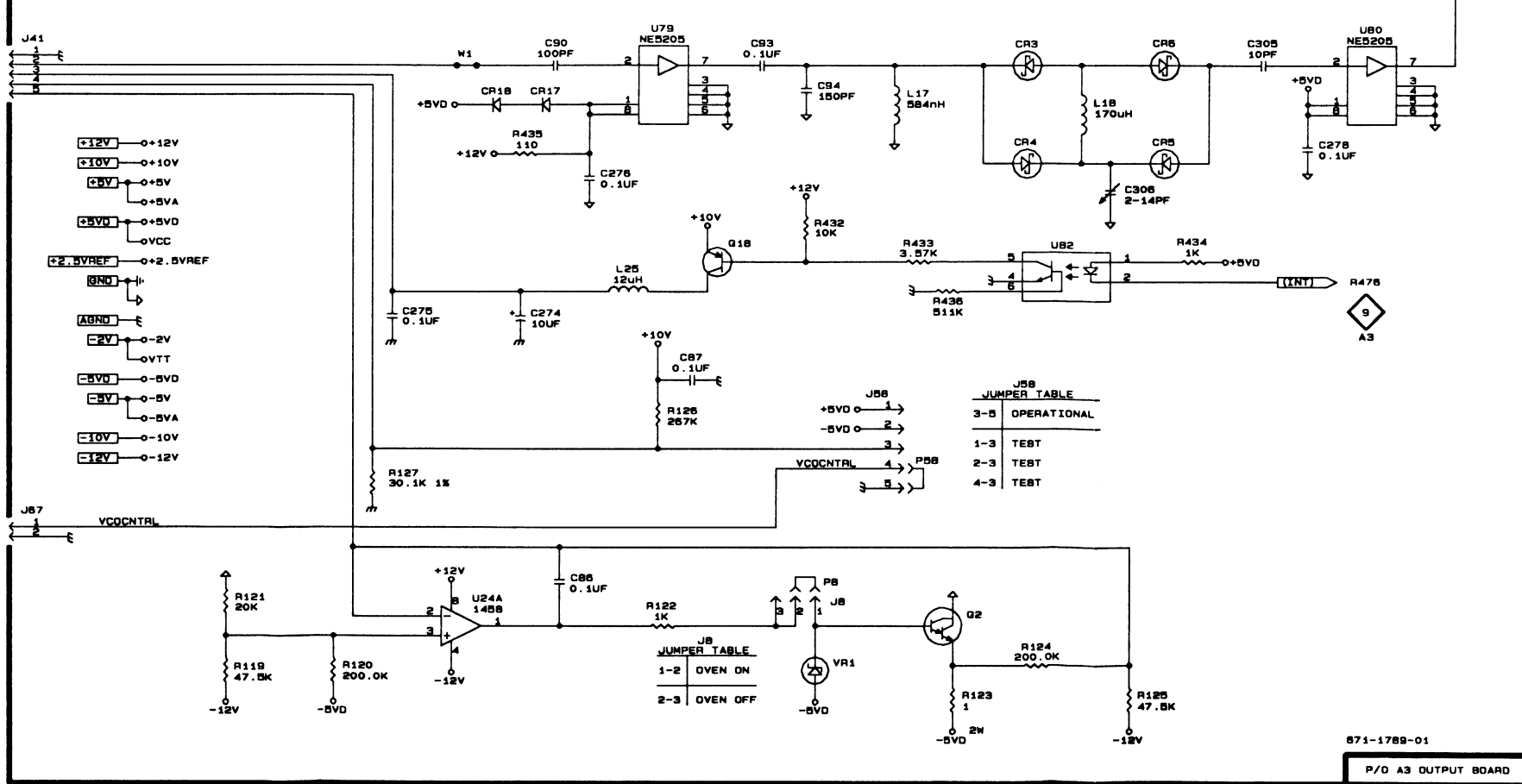
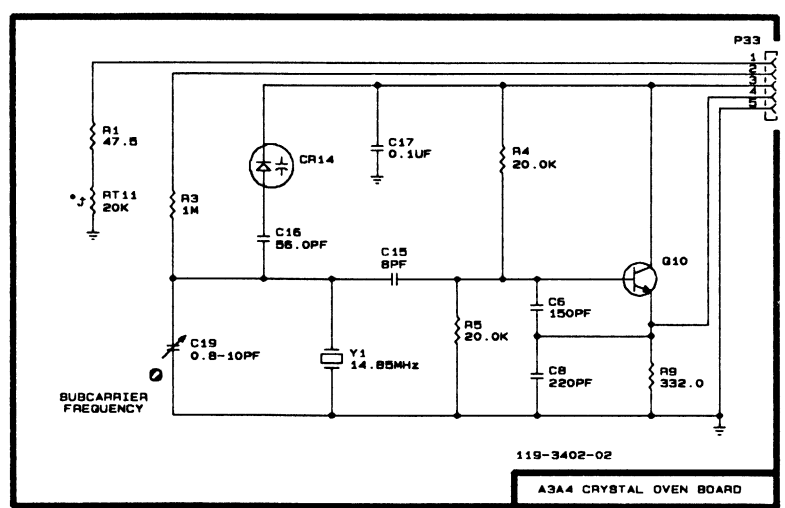
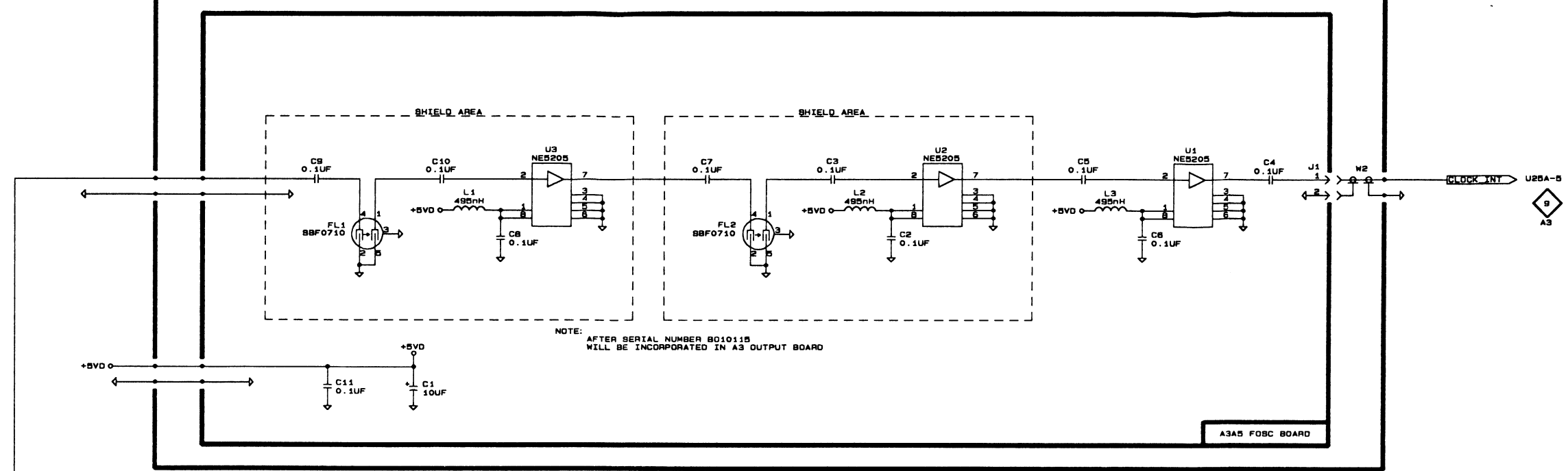
1

2

3

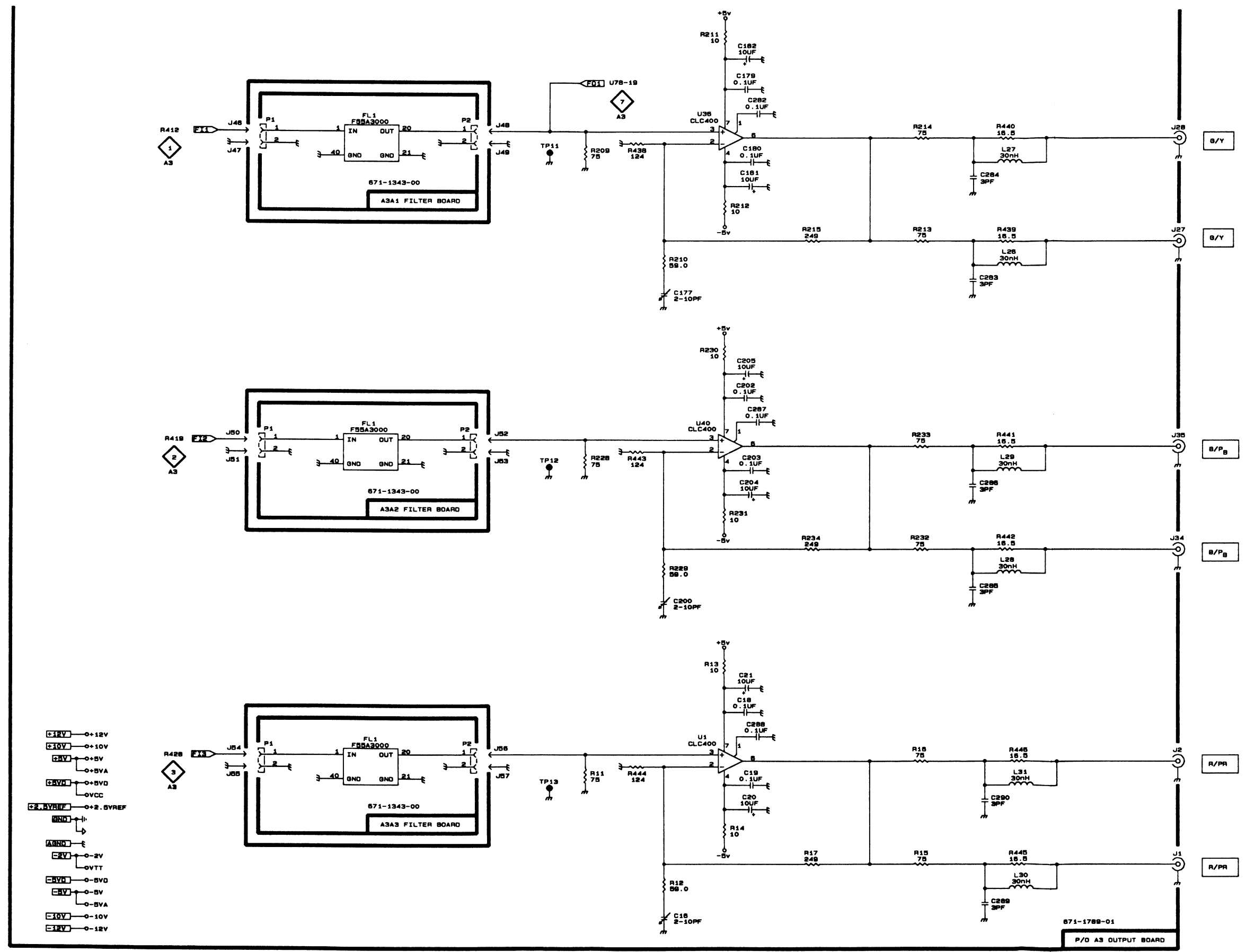
4

5



A B C D E F G H

1  
2  
3  
4  
5



TSG 1001

OUTPUT 1, 2, 3 AND SYNC STRIP

6  
A3



### Schematic Diagram <7> Look-up Chart OUTPUT Board

The schematic diagram has an alpha-numeric grid to assist in locating parts within that diagram. The etched circuit boards follow a numbering sequence starting with the lowest number at the upper left corner, as pictured in this manual.

**ASSEMBLY A3** *Partial A3 also shown on diagrams 1, 2, 3, 4, 5, 6, 8, and 9.*

CIRCUIT NUMBER	SCHEM LOCATION	BOARD LOCATION
C136	E1	F1
C240	B3	B1
C241	C3	B1
C242	C3	B2
C243	C3	D1
C244	D4	C2
C245	D4	B2
C246	F4	D2
C247	F4	C2
C248	E3	C2
C291	D4	B2
J21	G3	C1
J22	G2	F1
J23	F2	E2
P23	F2	
Q13	E1	F1
R180	D1	F1
R181	E2	E1
R182	E2	F1
R183	F3	E1
R184	G3	C1
R311	E4	C2
R398	C3	D1
R399	C3	D1
R404	E4	C2
R405	F4	D2
R406	F3	C2
R407	F3	C2
R408	E3	C2
R409	E3	C2
R410	D3	C2
R447	A3	D1
R448	A3	D1
R449	A3	D2
R489	A3	N9
R490	A3	M9
U78	D3	C1

A B C D E F G H

1

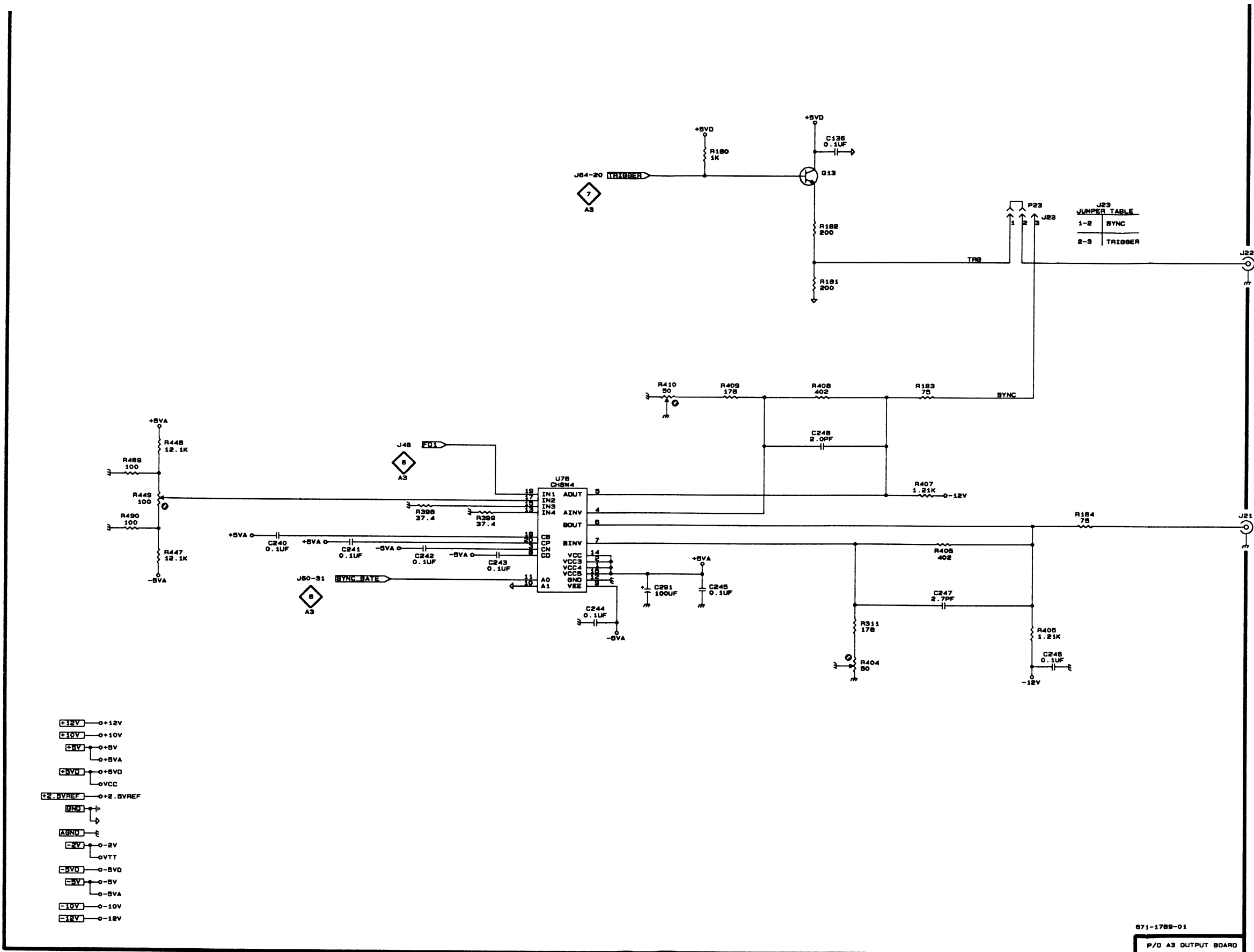
2

3

4

5

- +12V -> +12V
- +10V -> +10V
- +5V -> +5V
- +5VA -> +5VA
- +5VD -> +5VD
- +VCC -> +VCC
- +2.5VREF -> +2.5VREF
- GND -> GND
- AGND -> AGND
- 2V -> -2V
- VTT -> -VTT
- 5VD -> -5VD
- 5V -> -5V
- 5VA -> -5VA
- 10V -> -10V
- 12V -> -12V



J23 JUMPER TABLE

1-2	SYNC
2-3	TRIGGER

871-1788-01  
P/O A3 OUTPUT BOARD

TSG 1001

SYNC OUT

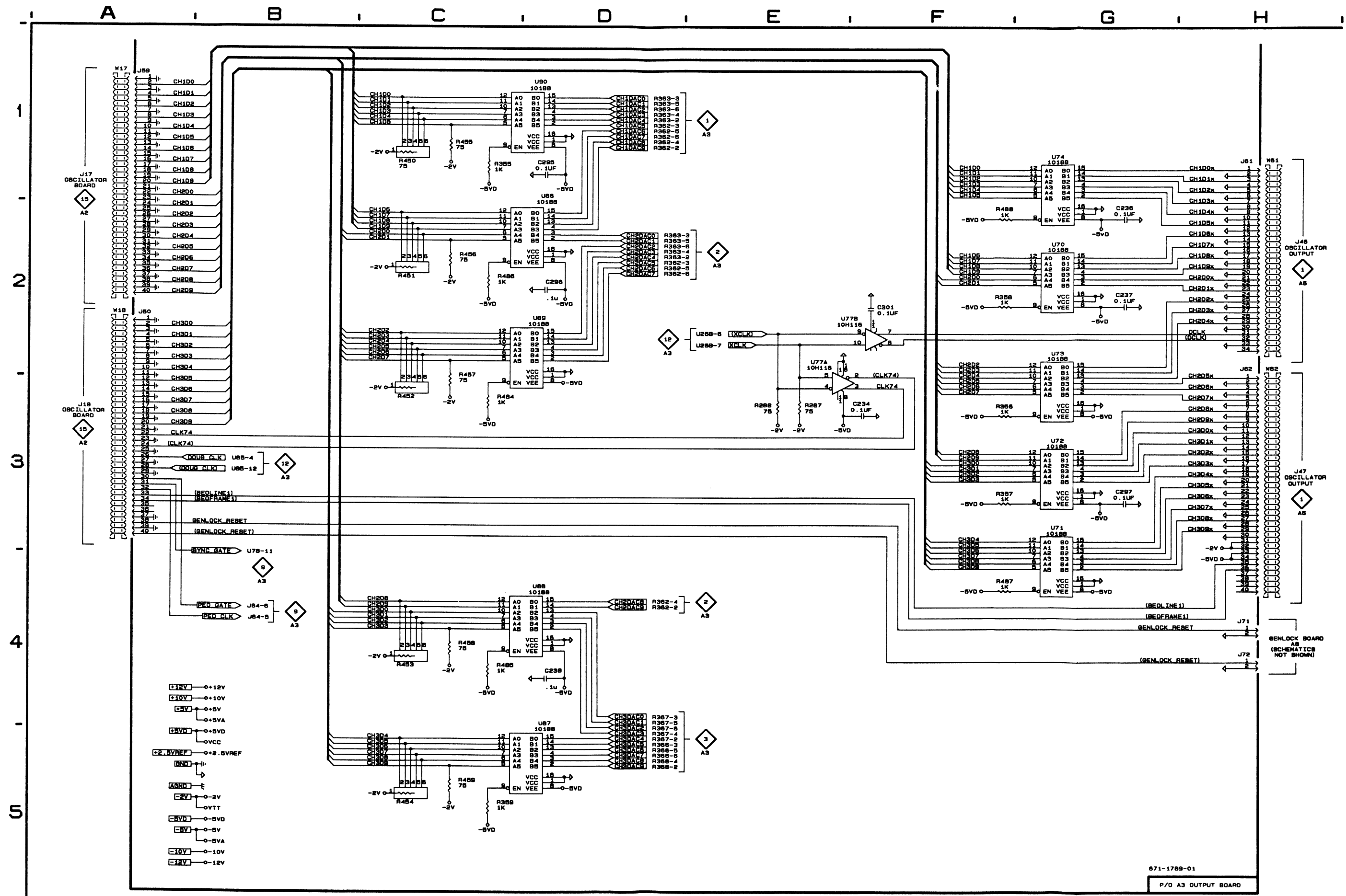
7  
A3

### Schematic Diagram <8> Look-up Chart OUTPUT Board

The schematic diagram has an alpha-numeric grid to assist in locating parts within that diagram. The etched circuit boards follow a numbering sequence starting with the lowest number at the upper left corner, as pictured in this manual.

**ASSEMBLY A3** Partial A3 also shown on diagrams 1, 2, 3, 4, 5, 6, 7, and 9.

CIRCUIT NUMBER	SCHEM LOCATION	BOARD LOCATION
C234	F3	P8
C236	G2	L6
C237	G2	L6
C238	D4	N8
C295	D1	L8
C296	D2	L8
C297	G3	N6
C301	F2	P8
J59	A1	L9
J60	A2	O9
J61	H1	L7
J62	H2	O7
J71	H4	P9
J72	H4	P9
R287	E3	O9
R288	E3	O8
R355	C1	L9
R356	F3	N7
R357	F3	N7
R358	F2	M7
R359	C5	O9
R450	C1	L8
R451	C2	L8
R452	C3	M8
R453	C4	N8
R454	C5	O8
R455	C1	K7
R456	C2	L9
R457	C2	M7
R458	C4	N7
R459	C5	N7
R484	C3	N9
R485	C4	N9
R486	C2	M9
R487	F4	O7
R488	F2	L7
U70	G2	L7
U71	G3	O7
U72	G3	N7
U73	G2	M7
U74	G1	L7
U77A	E2	O9
U77B	F2	O9
U86	C2	L9
U87	C5	O9
U88	C4	N9
U89	C2	M9
U90	C1	L9
W17	A1	
W18	A2	
W61	H1	
W62	H2	



TSG 1001

871-1789-01

P/O A3 OUTPUT BOARD

DIGITAL MUX



### Schematic Diagram <9> Look-up Chart OUTPUT Board

The schematic diagram has an alpha-numeric grid to assist in locating parts within that diagram. The etched circuit boards follow a numbering sequence starting with the lowest number at the upper left corner, as pictured in this manual.

**ASSEMBLY A3** *Partial A3 also shown on diagrams 1, 2, 3, 4, 5, 6, 7, and 8.*

CIRCUIT NUMBER	SCHEM LOCATION	BOARD LOCATION	CIRCUIT NUMBER	SCHEM LOCATION	BOARD LOCATION
C103	F4	M3	R140	C5	M3
C104	E5	L2	R141	C3	L3
C105	E5	L2	R142	C3	L3
C106	E5	M2	R143	C3	L3
C107	D5	M3	R144	C3	M3
C108	F5	L3	R460	E4	M2
C109	C5	L3	R461	E4	L2
C110	C5	L3	R462	D3	K3
C112	D5	L4	R463	D4	M3
C113	C3	M3	R464	D4	M3
C292	F4	M3	R465	C4	M4
C293	E3	K3	R466	D3	L3
C294	D4	M4	R467	D3	L2
C302	B2	M2	R468	C3	L2
C303	G3	N3	R469	D3	L3
C304	E4	N3	R470	F4	M3
CR19	G5	M1	R471	C1	M2
CR20	C1	M1	R472	C1	P1
DL1	F3	P3	R473	F4	M3
DL2	F2	P2	R474	F4	M3
J64	A3	J8	R475	B1	M2
J69	A1	O1	R476	F5	M1
J70	A1	P1	R477	F5	M1
J73	F4	N3	R478	C2	M2
J74	H4	K1	R479	F2	O2
J75	F3	P3	R480	F3	O3
J76	F2	P2	R481	G3	N2
J77	F3	P2	R482	G3	N2
K1	G4	L2	R491	B2	M9
K2	C1	O2	R492	B2	L9
P74	H4		U24B	D5	L3
Q5	E5	L2	U25A	C3	M2
Q19	G5	M1	U25B	E4	M2
Q20	C2	M1	U25C	G2	M2
R136	F4	L2	U26A	G3	N3
R137	E5	L2	U26B	E3	N3
R138	E5	M3	U26C	G2	N3
R139	D5	L3	U83	C4	N4
			U84A	E3	O3
			U84B	G3	O3
			U85	E3	K2
			W64	A3	

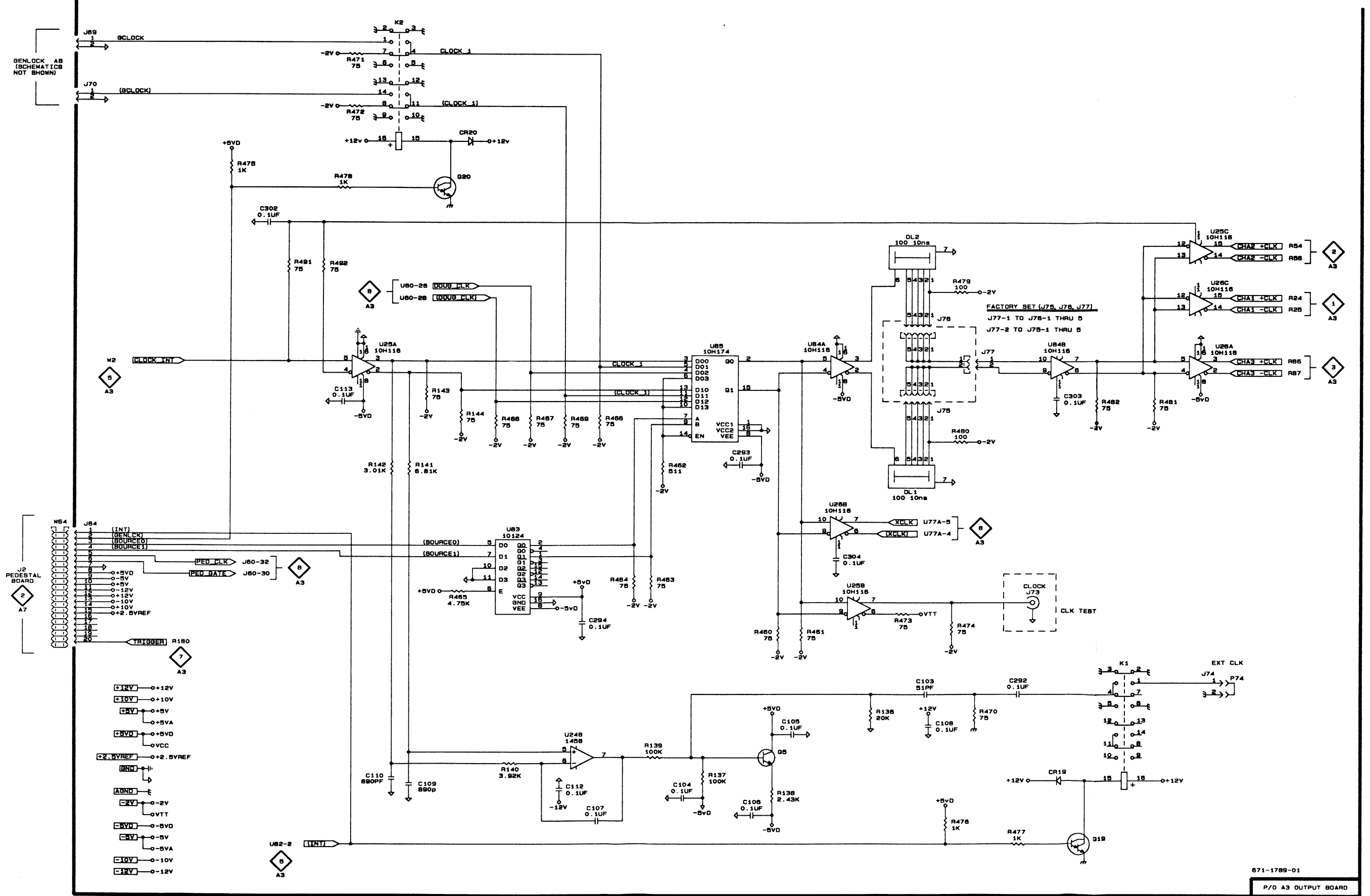
1

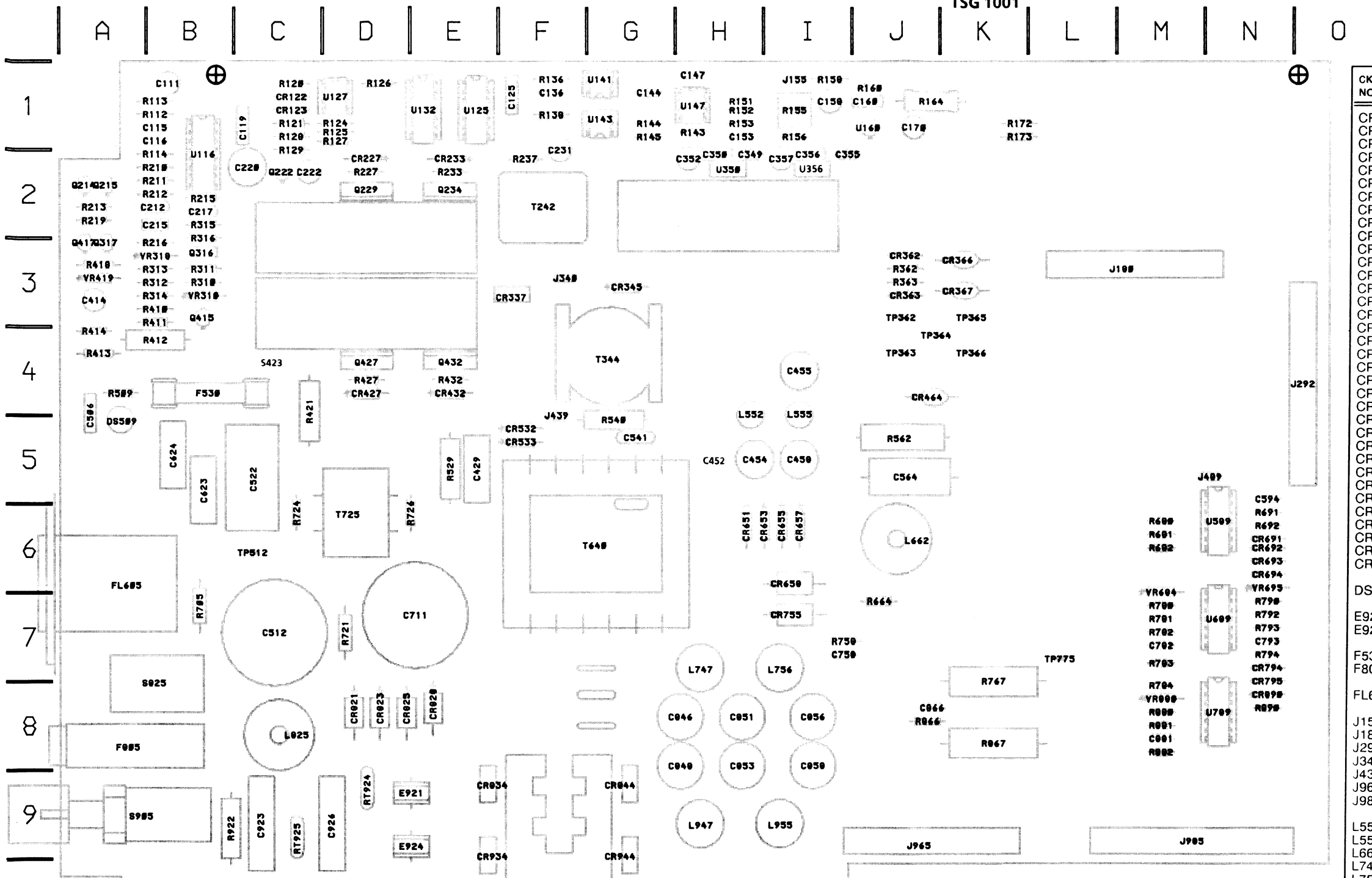
2

3

4

5





Static Sensitive Devices  
See Maintenance Section

**A4 POWER SUPPLY Board**

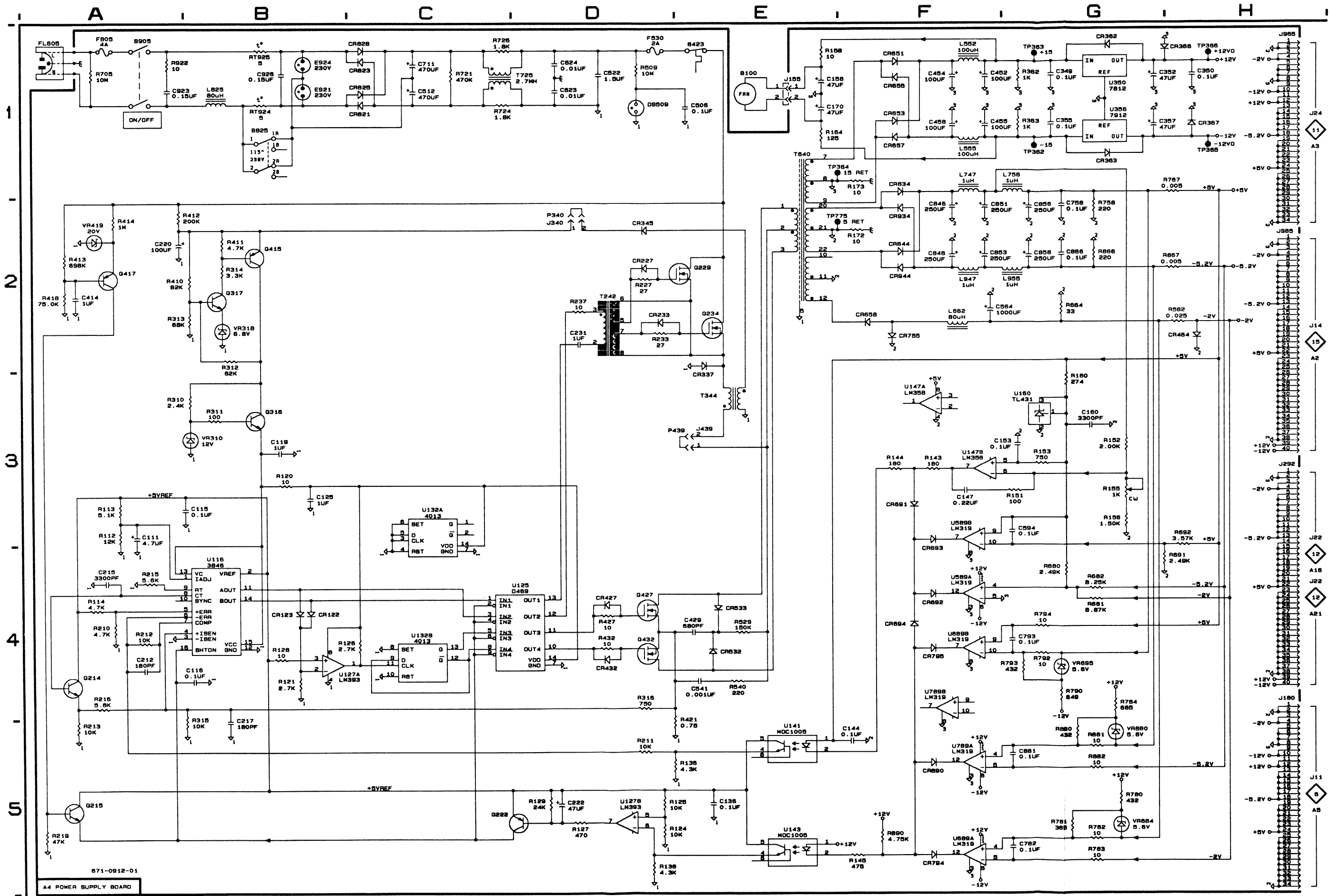
**Schematic Diagram < 1 > Look-up Chart  
POWER SUPPLY Board**

The schematic diagram has an alpha-numeric grid to assist in locating parts within that diagram. The etched circuit boards follow a numbering sequence starting with the lowest number at the upper left corner, as pictured in this manual.

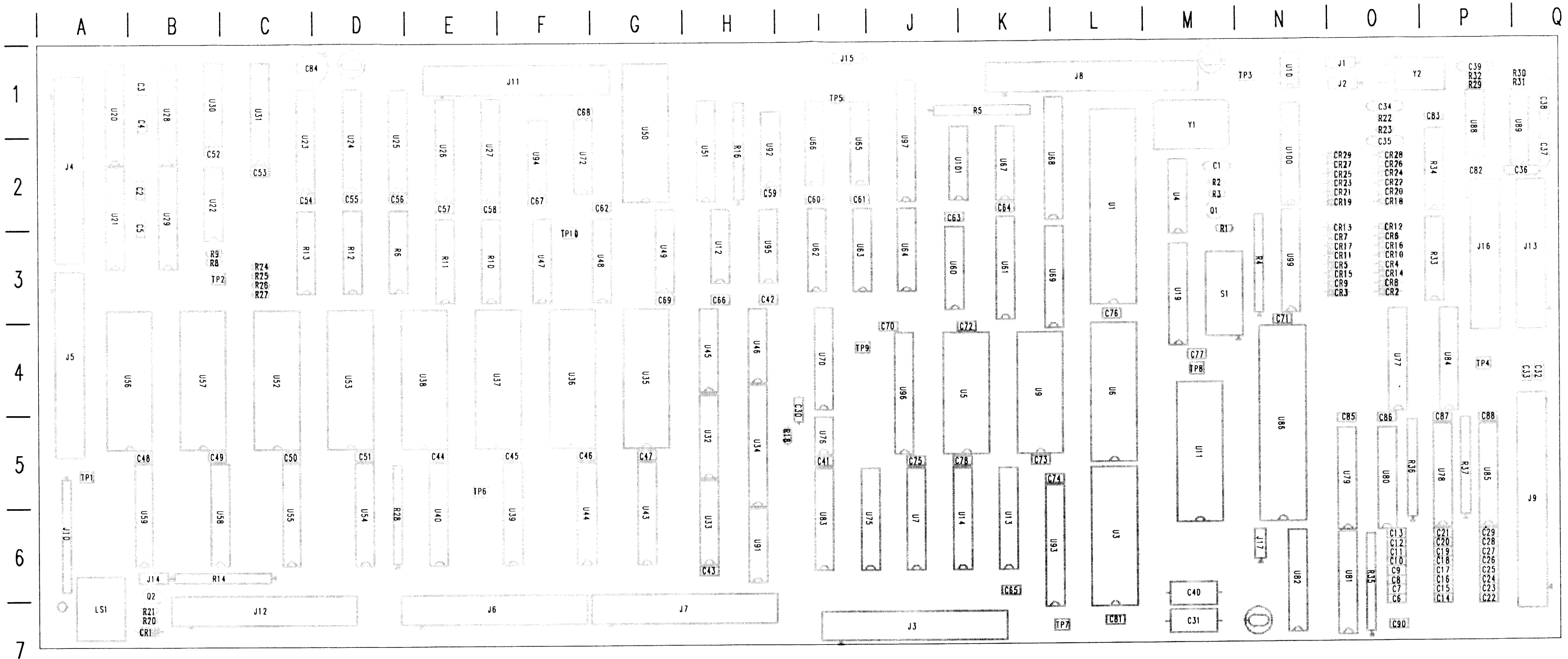
**ASSEMBLY A4**

CKT NO.	SCHEM LOC	BD LOC	CKT NO.	SCHEM LOC	BD LOC	CKT NO.	SCHEM LOC	BD LOC	CKT NO.	SCHEM LOC	BD LOC	CKT NO.	SCHEM LOC	BD LOC
B100	E1		C158	E1	I1	C352	G1	H2	C522	D1	C5	C848	F2	H8
C111	A3	B1	C160	G3	J1	C355	G1	I2	C541	E4	G5	C851	F2	H8
C115	A3	B1	C170	E1	K1	C357	G1	I2	C564	F2	J5	C853	F2	H8
C116	B4	B1	C215	A4	B2	C414	A2	A3	C594	G3	N6	C856	G2	I8
C119	B3	C1	C217	B5	B2	C429	E4	E5	C623	D1	B5	C858	G2	I8
C125	B3	F1	C220	A2	C2	C452	F1	H5	C624	D1	B5	C866	G2	J8
C136	E5	F1	C222	D5	C2	C454	F1	H5	C711	C1	E7	C881	G5	M8
C144	F5	G1	C231	D2	F2	C455	F1	I4	C758	G2	I7	C923	A1	C9
C147	F3	H1	C349	G1	H2	C458	F1	I5	C782	G5	M7	C926	B1	E9
C153	G3	H1	C350	H1	H2	C506	E1	A4	C793	G4	N7			
						C512	C1	C7	C846	F2	H8	CR122	B4	C1

CKT NO.	SCHEM LOC	BD LOC	CKT NO.	SCHEM LOC	BD LOC	CKT NO.	SCHEM LOC	BD LOC
CR123	B4	C1	Q234	E2	E2	R691	G4	N6
CR227	D2	D2	Q316	B3	B3	R692	H3	N6
CR233	D2	E2	Q317	B2	A3	R705	A1	B7
CR337	E2	F3	Q415	B2	B3	R721	C1	D7
CR345	D2	G3	Q417	A2	A3	R724	C1	C6
CR362	G1	J3	Q427	D4	D4	R726	C1	E6
CR363	G1	J3	Q432	D4	E4	R758	G2	I7
CR366	G1	K3				R767	H1	K8
CR367	H1	K3	R112	A3	B1	R780	G5	M7
CR427	D4	D4	R113	A3	B1	R781	G5	M7
CR432	D4	E4	R114	A4	B2	R782	G5	M7
CR464	H2	J4	R120	B3	C1	R783	G5	M7
CR532	E4	F5	R121	B4	C1	R784	G4	M8
CR533	E4	F5	R124	D5	D1	R790	G4	N7
CR651	F1	H6	R125	D5	D1	R792	G4	N7
CR653	F1	H6	R126	C4	D1	R793	G4	N7
CR655	F1	I6	R127	D5	D1	R794	G4	N7
CR657	F1	I6	R128	B4	C1	R866	G2	J8
CR658	F2	I6	R129	D5	C2	R867	H2	K8
CR691	F3	N6	R136	D5	F1	R880	G5	M8
CR692	F4	N6	R138	D5	F1	R881	G5	M8
CR693	F3	N6	R143	F3	H1	R882	G5	M8
CR694	F4	N6	R144	F3	G1	R890	F5	N8
CR755	F2	I7	R145	F5	G1	R922	A1	B9
CR794	F5	N7	R151	G3	H1			
CR795	F4	N8	R152	G3	H1	RT924	B1	C9
CR821	C1	D8	R153	G3	H1	RT925	B1	C9
CR823	C1	D8	R155	G3	I1			
CR825	C1	D8	R156	G3	I1	S423	E1	C4
CR828	C1	E8	R158	E1	I1	S825	B1	B8
CR834	F1	E9	R160	G3	J1	S905	A1	B9
CR844	F2	G9	R164	E1	K1			
CR890	F5	N8	R172	F2	K1	T242	D2	F2
CR934	F2	E9	R173	F1	K1	T344	E3	G4
CR944	F2	G9	R210	A4	B2	T640	E1	G6
			R211	D5	B2	T725	C1	D6
DS509	D1	A5	R212	A4	B2			
			R213	A5	A2	TP362	G1	J3
E921	B1	D9	R215	A4	B2	TP363	G1	J4
E924	B1	D9	R216	A4	B3	TP364	E1	J4
			R219	A5	A2	TP365	H1	K3
F530	D1	B4	R227	D2	D2	TP366	H1	K4
F805	A1	A8	R233	D2	E2	TP775	E2	L7
			R237	D2	F2			
FL605	A1	A6	R310	B3	B3	U116	B4	B2
			R311	B3	B3	U125	C4	E1
J155	E1	I1	R312	B2	B3	U127A	B4	D1
J180	H4	M1	R313	B2	B3	U127B	D5	D1
J292	H3	O4	R314	B2	B3	U132A	C3	E1
J340	D2	F3	R315	A4	B2	U132B	C4	E1
J439	E3	F5	R316	D4	B3	U141	E5	G1
J965	H1	J9	R362	G1	J3	U143	E5	G1
J985	H2	M9	R363	G1	J3	U147A	F3	H1
			R410	B2	B3	U147B	F3	H1
L552	F1	H4	R411	B2	B4	U160	G3	J1
L555	F1	I4	R412	A2	B4	U350	G1	H2
L662	F2	J6	R413	A2	A4	U356	G1	I2
L747	F1	H7	R414	A2	A4	U589A	F4	N6
L756	G1	I7	R418	A2	A3	U589B	F3	N6
L825	B1	C8	R421	D4	C4	U689A	F5	N7
L947	F2	H9	R427	D4	D4	U689B	F4	N7
L955	G2	I9	R432	D4	E4	U789A	F5	N8
			R509	D1	A4	U789B	F4	N8
P340	D2		R529	E4	E5			
P439	E3		R540	E4	G5	VR310	A3	B3
			R562	H2	J5	VR318	B2	B3
Q214	A4	A2	R664	G2	J7	VR419	A2	A3
Q215	A5	A2	R680	G4	M6	VR684	G5	M7
Q222	C5	C2	R681	G4	M6	VR695	G4	N7
Q229	D2	D2	R682	G4	M6	VR880	G5	M8







**A5 CONTROLLER Board**



**Schematic Diagram < 1 > Look-up Chart  
CONTROLLER Board**

The schematic diagram has an alpha-numeric grid to assist in locating parts within that diagram. The etched circuit boards follow a numbering sequence starting with the lowest number at the upper left corner, as pictured in this manual.

**ASSEMBLY A5** Partial A5 also shown on diagrams 2, 3, 4, 5, 6, and 7.

CIRCUIT NUMBER	SCHEM LOCATION	BOARD LOCATION	CIRCUIT NUMBER	SCHEM LOCATION	BOARD LOCATION
C1	B2	M2	S1	C1	N4
J1	B1	O1	U1	C2	M3
J2	A1	O1	U3	E3	M6
J17	E4	N6	U4A	B2	M2
			U4B	A2	M2
P1	B1		U5	F1	K5
P2	A1		U6	E5	M5
P17	E4		U7	F5	J6
			U9	F2	L5
Q1	B2	M2	U10	B1	N1
			U11	E4	N6
R1	B2	M3	U13	F3	K6
R2	B2	M2	U14	F4	K6
R3	B2	M2	U19	E2	M4
R4	D1	N3	U93	E3	L6
R5B	C3	J1			
R5E	D5	J1	Y1	A2	N1
R5H	B3	J1			



**Schematic Diagram <2> Look-up Chart  
CONTROLLER Board**

The schematic diagram has an alpha-numeric grid to assist in locating parts within that diagram. The etched circuit boards follow a numbering sequence starting with the lowest number at the upper left corner, as pictured in this manual.

**ASSEMBLY A5** *Partial A5 also shown on diagrams 1, 3, 4, 5, 6, and 7.*

CIRCUIT NUMBER	SCHEM LOCATION	BOARD LOCATION
C2	B3	B2
C3	B2	B1
C4	B2	B1
C5	B3	B2
R5A	D3	J1
R6	G3	E3
R8	A4	B3
R9	B4	B3
R10	G2	F3
R11	G2	E3
R12	G4	D3
R13	G5	D3
U20	C2	B2
U21	C3	B3
U22A	B4	C2
U22B	B4	C2
U22C	C4	C2
U23	F5	D2
U24	F4	D2
U25	F3	E2
U26	F2	E2
U27	F2	F2
U28	D2	B2
U29	D3	B3
U30	D4	C1
U31	C4	C2
U94A	D2	F2

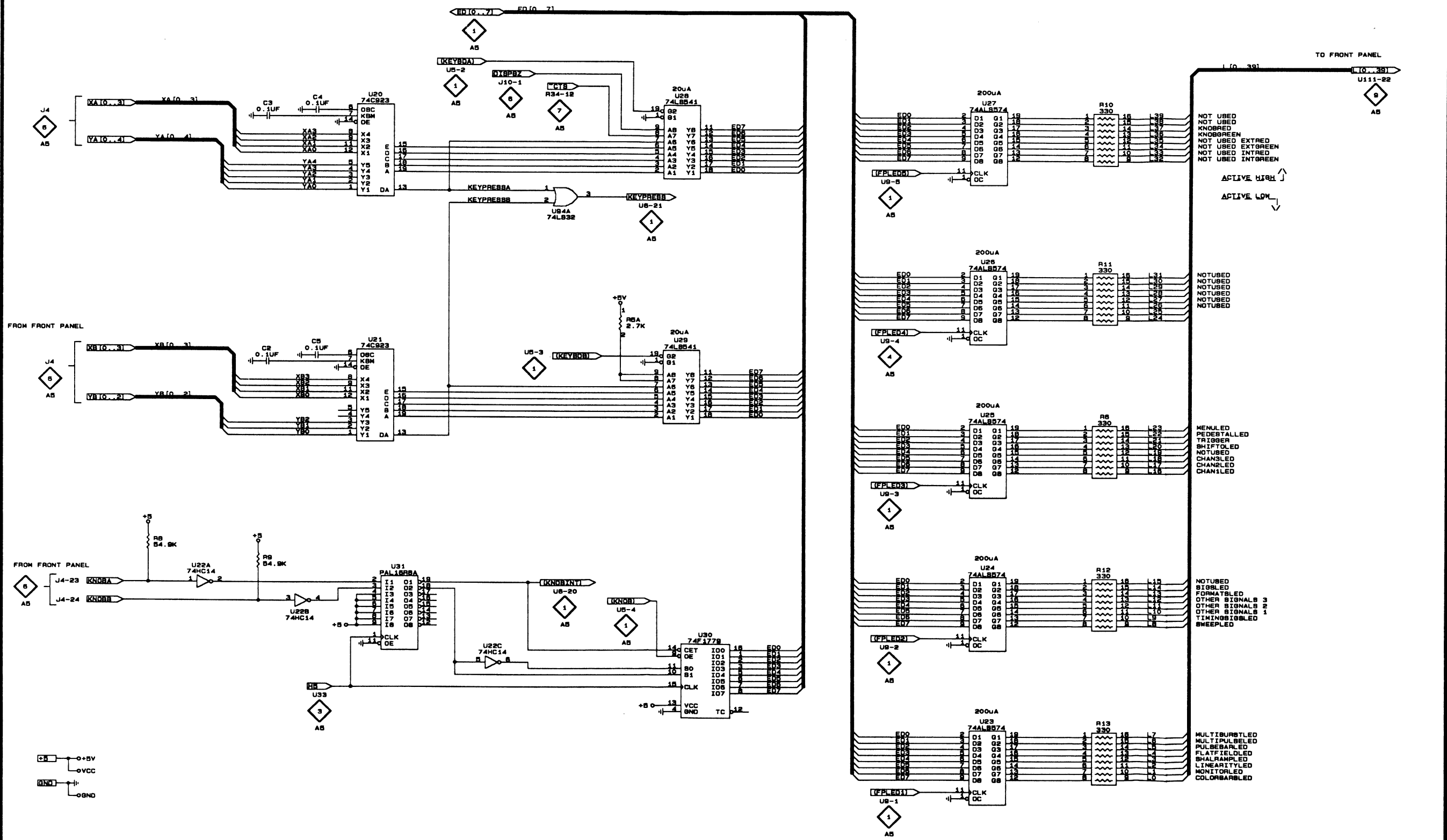
1

2

3

4

5



**Schematic Diagram <3> Look-up Chart  
CONTROLLER Board**

The schematic diagram has an alpha-numeric grid to assist in locating parts within that diagram. The etched circuit boards follow a numbering sequence starting with the lowest number at the upper left corner, as pictured in this manual.

**ASSEMBLY A5** *Partial A5 also shown on diagrams 1, 2, 4, 5, 6, and 7.*

CIRCUIT NUMBER	SCHEM LOCATION	BOARD LOCATION
R14A	C5	C6
R14B	C3	C6
R14C	C5	C6
R14D	G4	C6
R14E	A1	C6
R14G	C5	C6
R14H	B1	C6
R14I	G1	C6
R24	D4	C3
R25	F4	C3
U32	B2	H5
U33	B1	H6
U34	C1	I5
U35	C3	G5
U36	C4	G5
U37	F3	F5
U38	F4	E5
U39	E3	F6
U40	E4	E6
U43	B4	G6
U44	B3	G6
U45	B2	H4
U46	G1	I4
U95	A1	I3
U96A	G4	J5

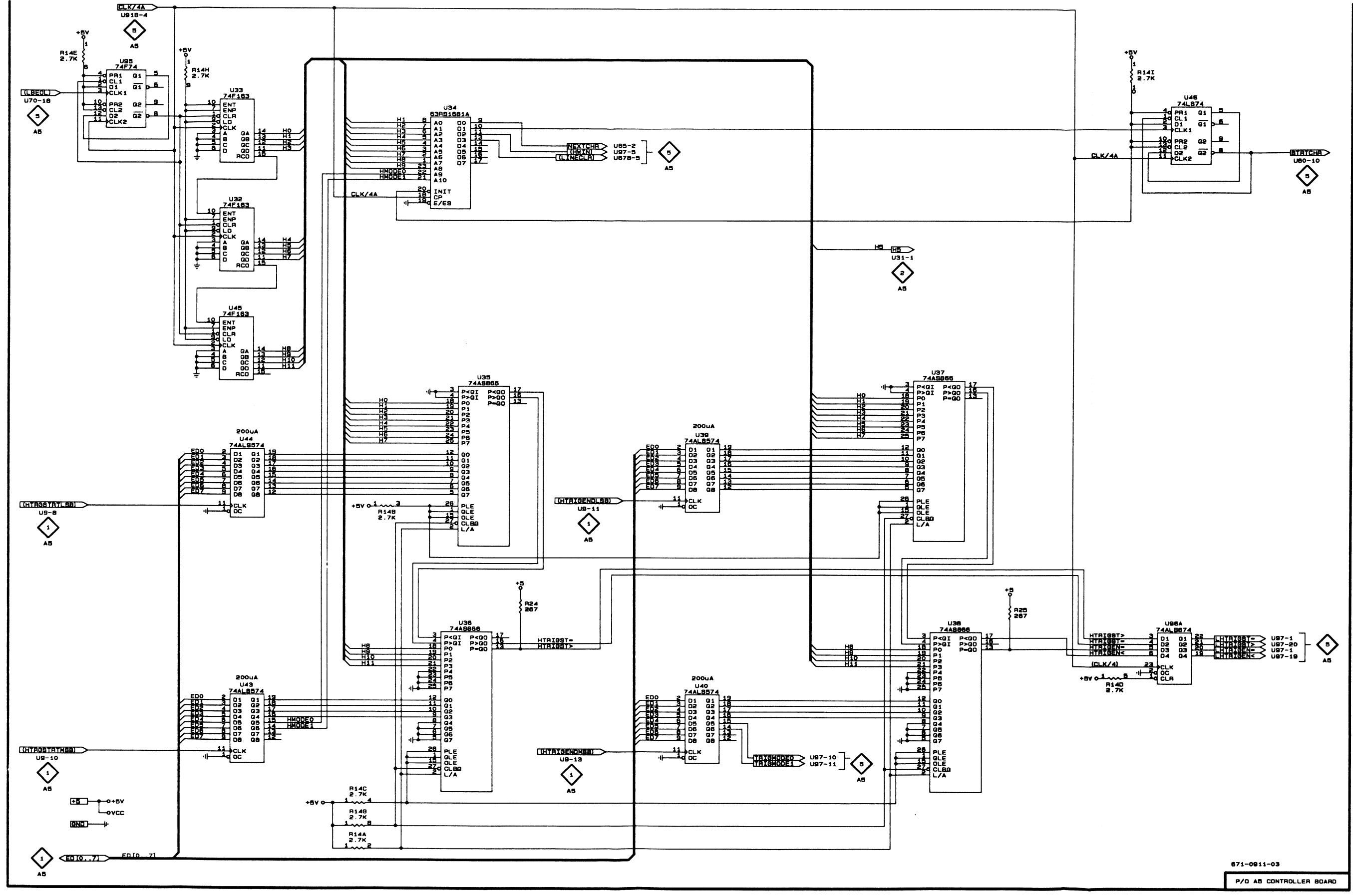
1

2

3

4

5



671-0911-03  
P/O AB CONTROLLER BOARD

**Schematic Diagram < 4 > Look-up Chart  
CONTROLLER Board**

The schematic diagram has an alpha-numeric grid to assist in locating parts within that diagram. The etched circuit boards follow a numbering sequence starting with the lowest number at the upper left corner, as pictured in this manual.

**ASSEMBLY A5** *Partial A5 also shown on diagrams 1, 2, 3, 5, 6, and 7.*

CIRCUIT NUMBER	SCHEM LOCATION	BOARD LOCATION
R26	D4	C3
R27	F4	C3
R28A	A1	D6
R28B	C5	D6
R28C	C5	D6
R28D	C3	D6
R28E	C5	D6
R28F	G4	D6
U47	A1	F3
U48	A2	G3
U49	A2	H3
U50	C1	G2
U51	D1	H2
U52	D3	C5
U53	D4	D5
U54	B4	D6
U55	B3	C6
U56	F3	B5
U57	F4	C5
U58	E4	C6
U59	E3	B6
U96B	G4	J5

A B C D E F G H

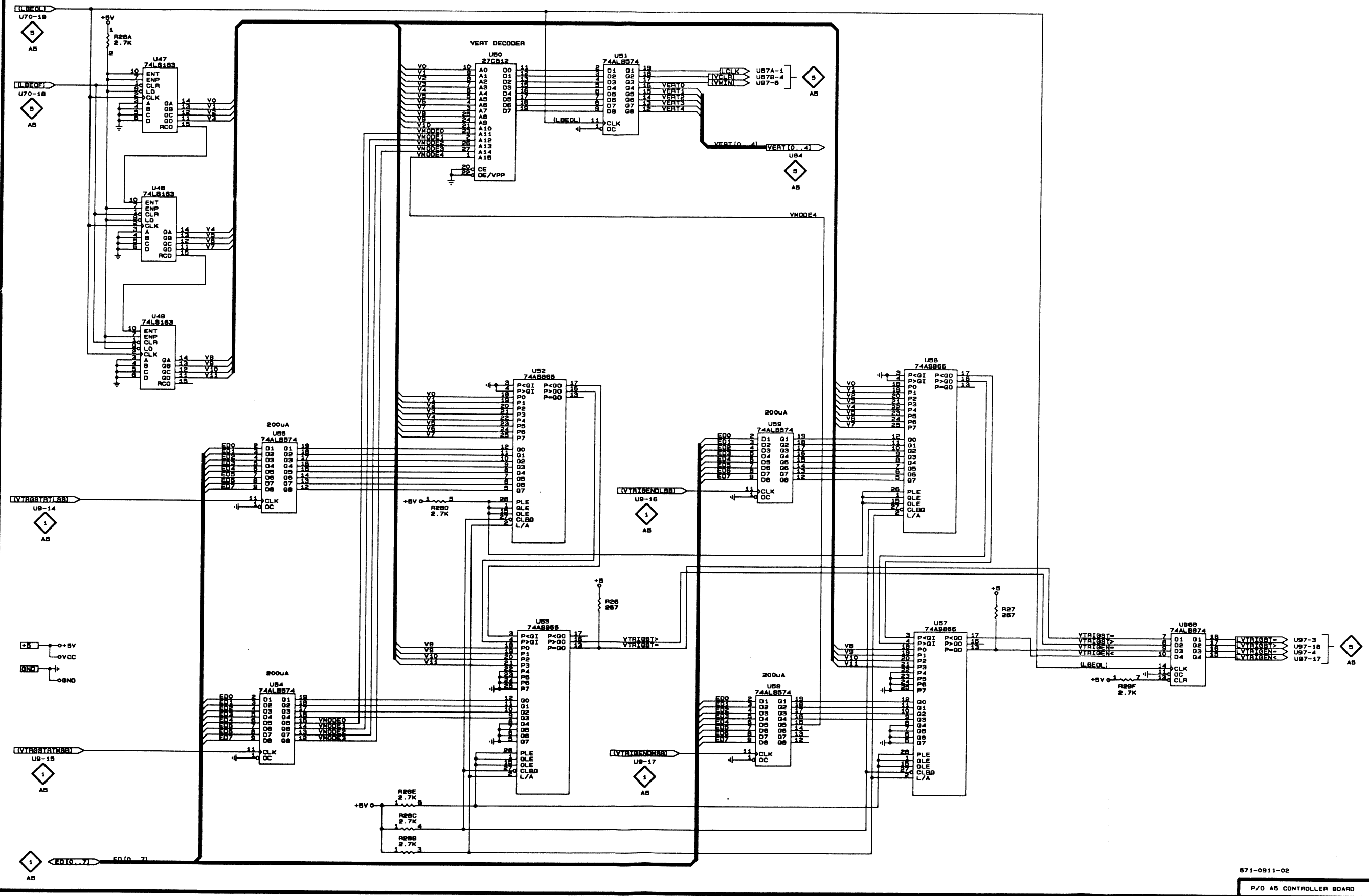
1

2

3

4

5



871-0911-02  
P/O A5 CONTROLLER BOARD



**Schematic Diagram <5> Look-up Chart  
CONTROLLER**

The schematic diagram has an alpha-numeric grid to assist in locating parts within that diagram. The etched circuit boards follow a numbering sequence starting with the lowest number at the upper left corner, as pictured in this manual.

**ASSEMBLY A5** *Partial A5 also shown on diagrams 1, 2, 3, 4, 6, and 7.*

CIRCUIT NUMBER	SCHEM LOCATION	BOARD LOCATION
J15	C2	J1
P15	C2	
R16A	B2	H2
R16G	G3	H2
R16H	F1	H2
R16I	A2	H2
U60	H2	K3
U61	E2	K3
U62	C3	I3
U63	C3	J3
U64	C4	J3
U65	B3	J2
U66	B3	I2
U67A	F3	K2
U67B	F3	K2
U68	D3	L2
U69	D5	L3
U70	F1	I4
U91B	E2	I6
U91C	E1	I6
U91E	E2	I6
U92A	C4	I2
U97	B1	J2

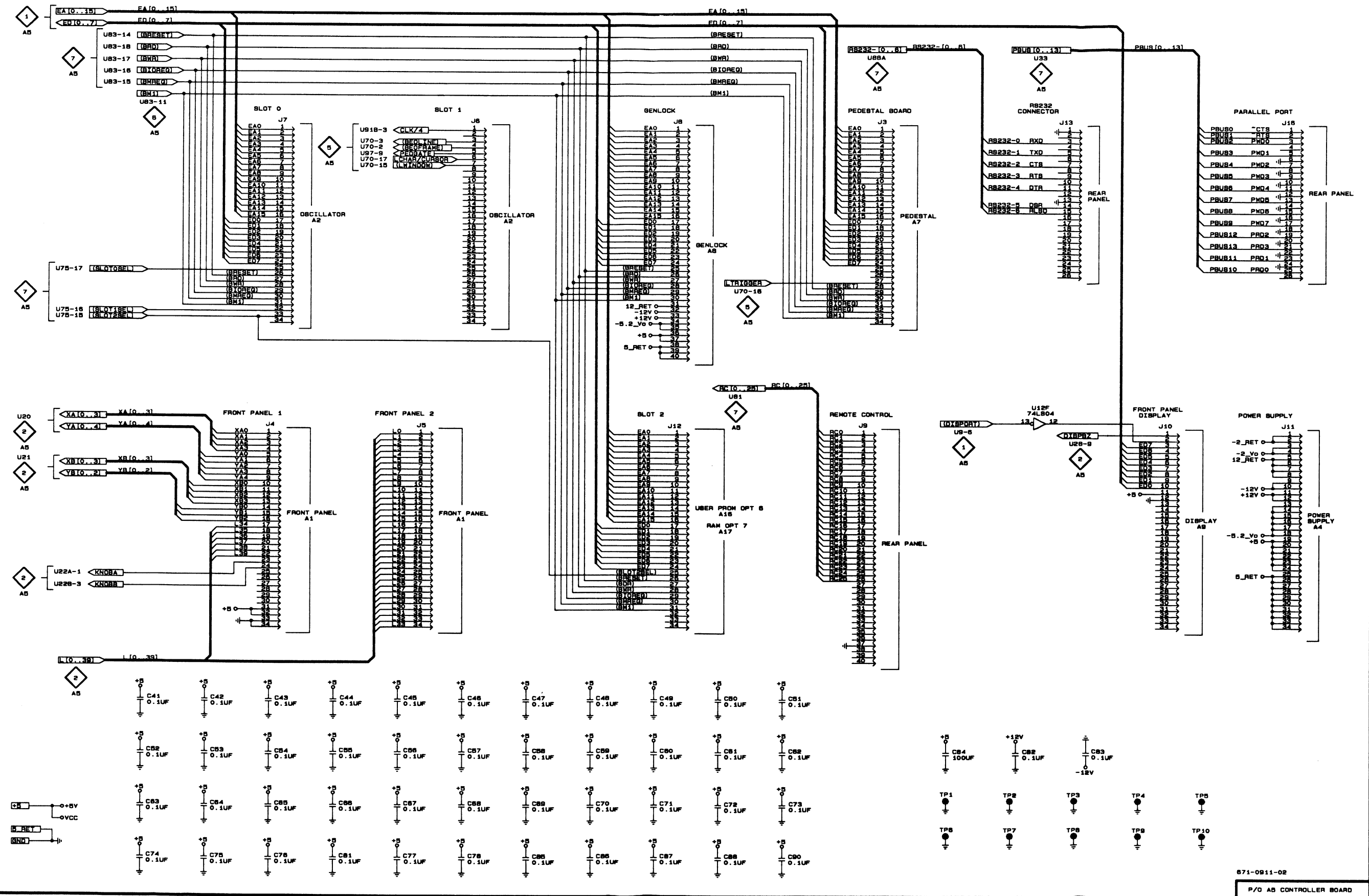


### Schematic Diagram <6> Look-up Chart CONTROLLER Board

The schematic diagram has an alpha-numeric grid to assist in locating parts within that diagram. The etched circuit boards follow a numbering sequence starting with the lowest number at the upper left corner, as pictured in this manual.

**ASSEMBLY A5** *Partial A5 also shown on diagrams 1, 2, 3, 4, 5, and 7.*

CIRCUIT NUMBER	SCHEM LOCATION	BOARD LOCATION
J3	F1	I7
J4	B3	A1
J5	C3	A3
J6	C1	E7
J7	B1	G7
J8	E1	K1
J9	F3	Q7
J10	G3	A5
J11	H3	E1
J12	E3	B7
J13	G1	Q4
J16	H1	P2
TP1	F5	A5
TP2	F5	C3
TP3	G5	N1
TP4	G5	P4
TP5	G5	I1
TP6	F5	E5
TP7	F5	L7
TP8	G5	M4
TP9	G5	I4
TP10	G5	F2
U12F	G3	H3



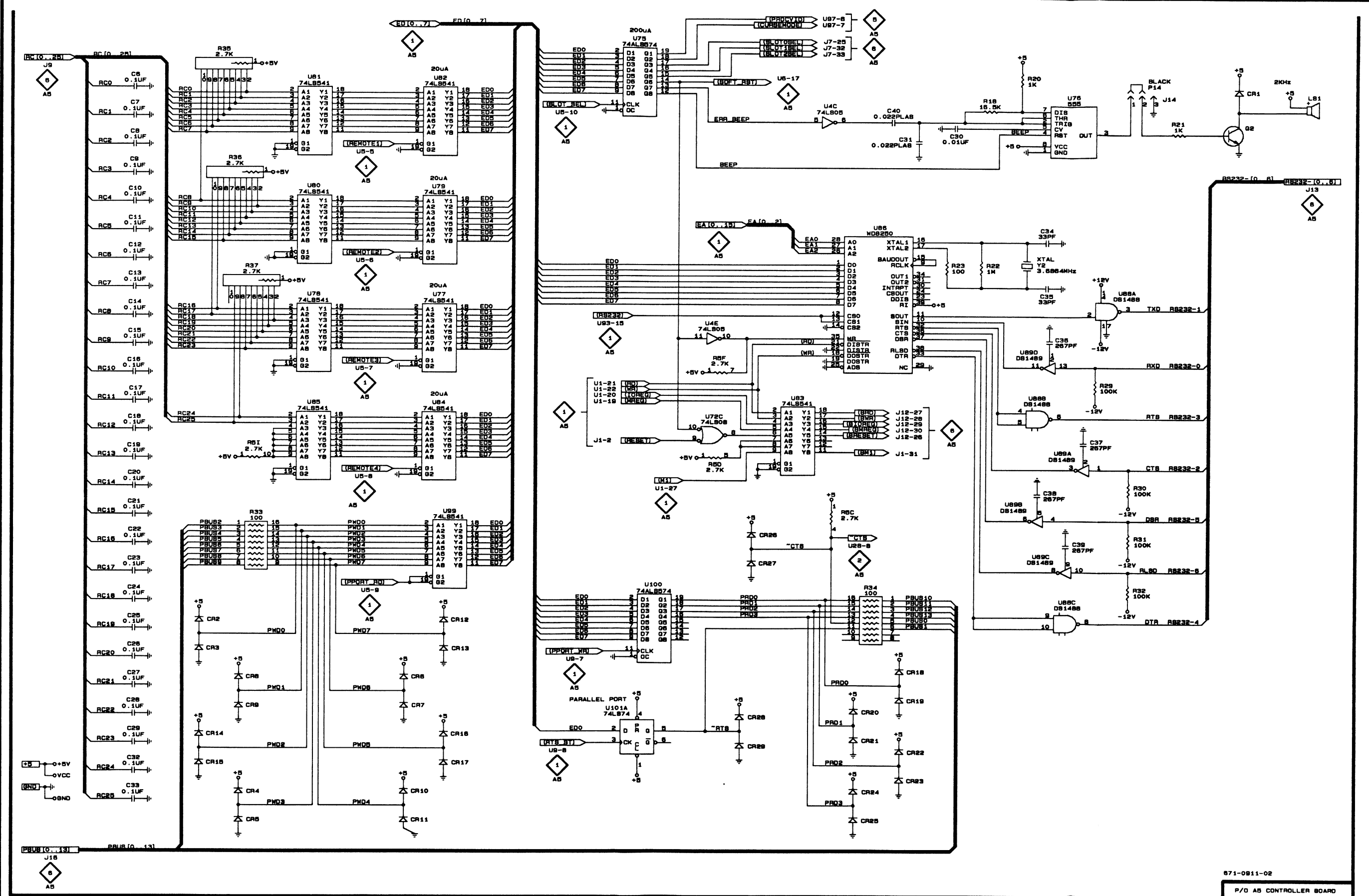
871-0911-02  
P/O AB CONTROLLER BOARD

### Schematic Diagram <7> Look-up Chart CONTROLLER Board

The schematic diagram has an alpha-numeric grid to assist in locating parts within that diagram. The etched circuit boards follow a numbering sequence starting with the lowest number at the upper left corner, as pictured in this manual.

**ASSEMBLY A5** *Partial A5 also shown on diagrams 1, 2, 3, 4, 5, and 6.*

CIRCUIT NUMBER	SCHEM LOCATION	BOARD LOCATION	CIRCUIT NUMBER	SCHEM LOCATION	BOARD LOCATION
C6	A1	O7	R5F	E3	J1
C7	A1	O6	R5I	B3	J1
C8	A1	O6	R18	F1	I5
C9	A1	O6	R20	F1	B7
			R21	G1	B7
CR1	H1	B7	R22	F2	O1
CR2	B4	O3	R23	F2	O2
CR3	B4	O3	R29	G3	P1
CR4	B5	O3	R30	G3	Q1
CR5	B5	O3	R31	G3	Q1
CR6	C4	O3	R32	G4	P1
CR7	C4	O3	R33	B3	P3
CR8	B4	O3	R34	F4	P2
CR9	B4	O3	R35	B1	O7
CR10	C5	O3	R36	B1	O6
CR11	C5	O3	R37	B2	P6
CR12	C4	O3			
CR13	C4	O3	U4C	E1	M2
CR14	B5	O3	U4E	E2	M2
CR15	B5	O3	U72C	E3	G2
CR16	C5	O3	U75	D1	J6
CR17	C5	O3	U76	G1	I5
CR18	F4	O2	U77	C2	O4
CR19	F4	O2	U78	B2	P6
CR20	E4	O2	U79	C2	O6
CR21	E5	O2	U80	B2	O6
CR22	F5	O2	U81	B1	O7
CR23	F5	O2	U82	C1	N7
CR24	E5	O2	U83	E3	I6
CR25	E5	O2	U84	C3	P4
CR26	E3	O2	U85	B3	P6
CR27	E4	O2	U86	E2	N6
CR28	E4	O2	U88A	G2	P2
CR29	E5	O2	U88B	G3	P2
			U88C	G4	P2
J14	G1	B6	U89A	G3	Q2
			U89B	G3	Q2
LS1	H1	A6	U89C	G4	Q2
			U89D	G3	Q2
P14	G1		U99	C3	N3
			U100	D4	N2
Q2	H1	B6	U101A	D4	K2
R5C	E3	J1	Y2	F2	P1
R5D	E3	J1			

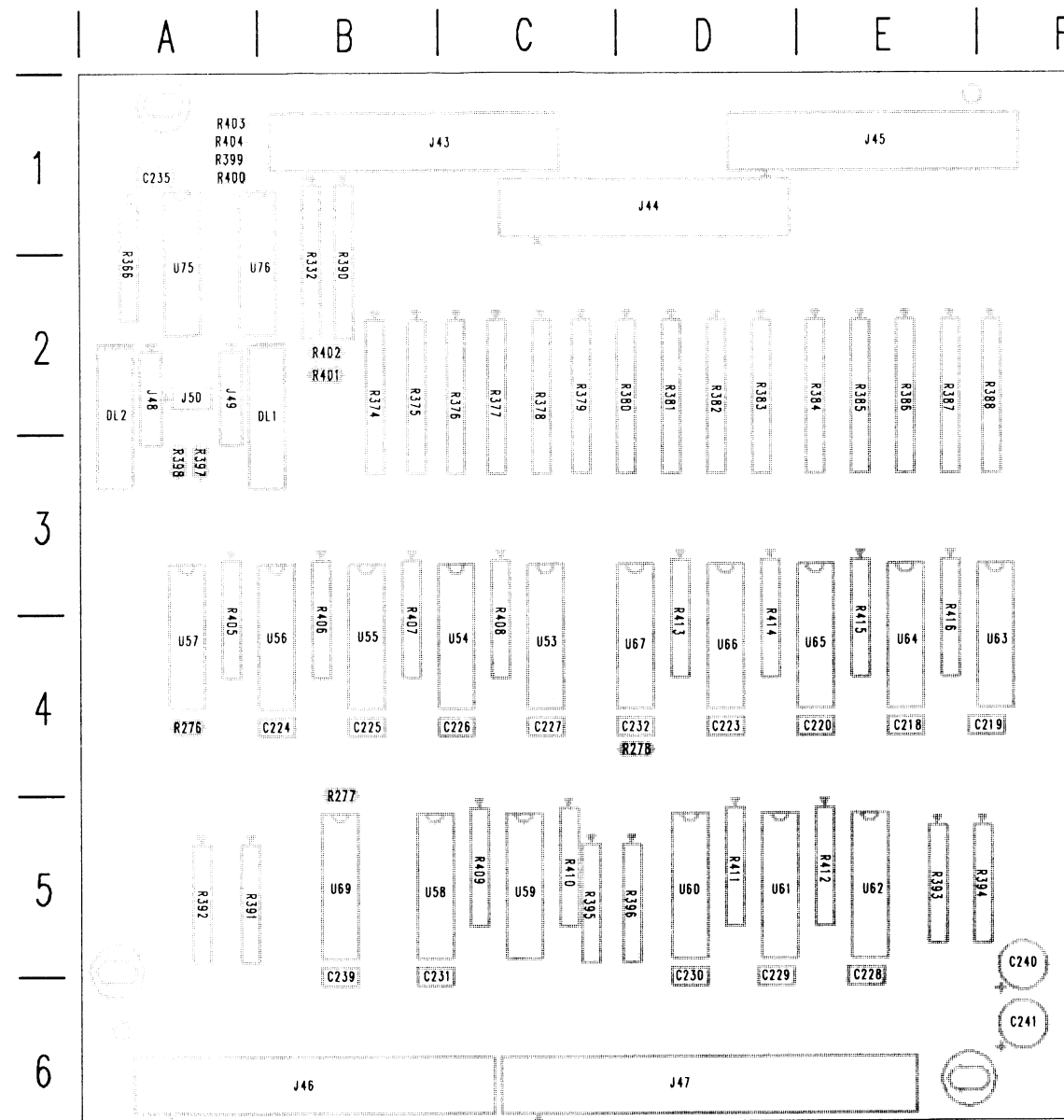


871-0811-02  
P/O A5 CONTROLLER BOARD

### Schematic Diagram < 1 > Look-up Chart DIGITAL OUTPUT Board

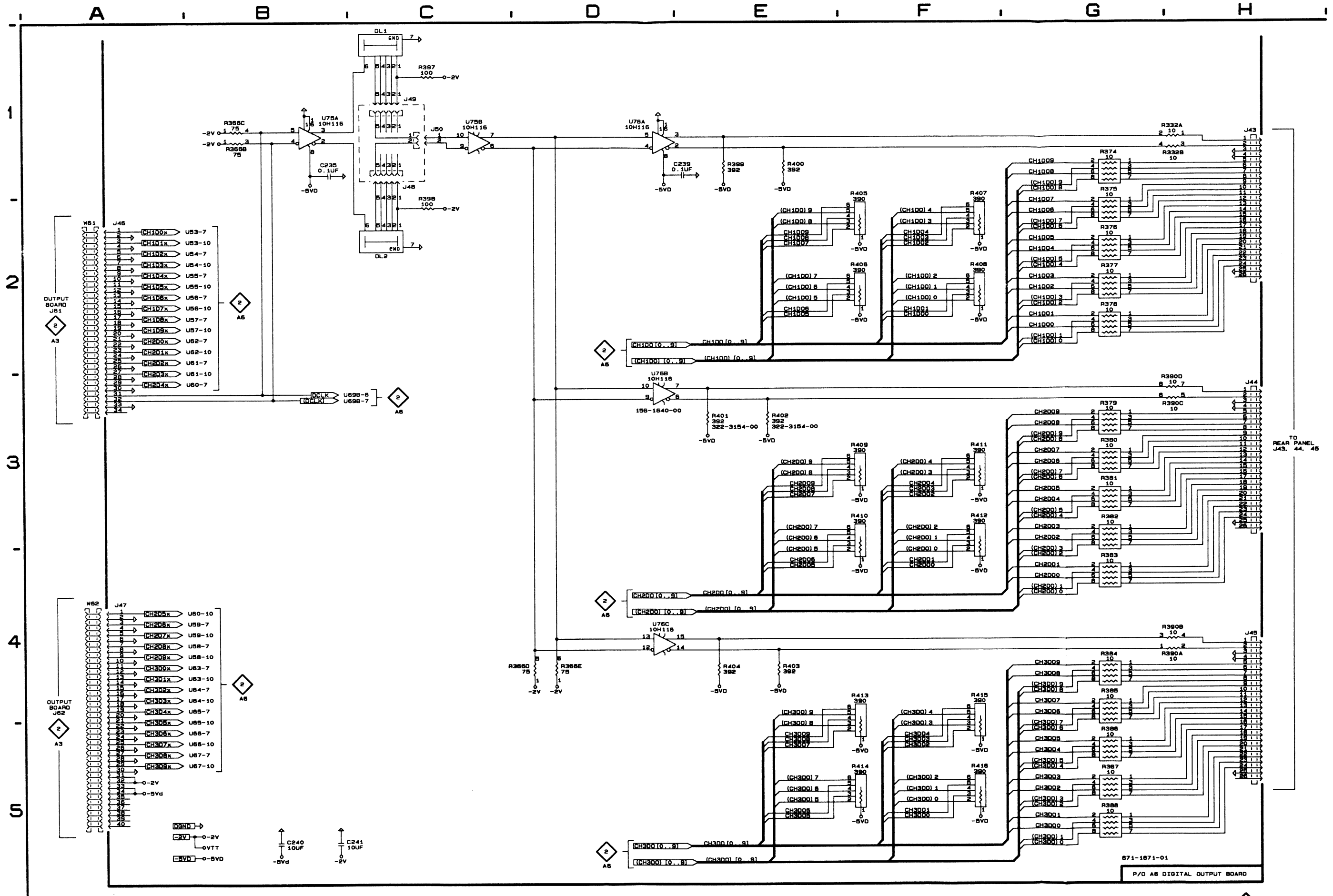
The schematic diagram has an alpha-numeric grid to assist in locating parts within that diagram. The etched circuit boards follow a numbering sequence starting with the lowest number at the upper left corner, as pictured in this manual.

**ASSEMBLY A6** Partial A6 also shown on diagrams 2.



**A6 DIGITAL OUTPUT Board**

CIRCUIT NUMBER	SCHEM LOCATION	BOARD LOCATION	CIRCUIT NUMBER	SCHEM LOCATION	BOARD LOCATION
C235	B1	A1	R387	G5	E2
C239	E1	B6	R388	G5	F2
C240	B5	F5	R390A	H4	B1
C241	B5	F6	R390B	H4	B1
			R390C	H3	B1
DL1	C1	B2	R390D	H3	B1
DL2	C2	A2	R397	C1	A3
			R398	C2	A3
J43	H1	B1	R399	E1	A1
J44	H3	D1	R400	E1	A1
J45	H4	E1	R401	E3	B2
J46	A2	B6	R402	E3	B2
J47	A4	D6	R403	E4	A1
J48	C1	A2	R404	E4	A1
J49	C1	A2	R405	F2	A3
J50	C1	A2	R406	F2	B3
			R407	F2	B3
R332A	H1	B1	R408	F2	C3
R332B	H1	B1	R409	F3	C5
R366B	B1	A1	R410	F3	C5
R366C	B1	A1	R411	F3	D5
R366D	D4	A1	R412	F3	E5
R366E	D4	A1	R413	F4	D3
R374	G1	B2	R414	F5	D3
R375	G2	B2	R415	F4	E3
R376	G2	C2	R416	F5	E3
R377	G2	C2			
R378	G2	C2	U75A	B1	A2
R379	G3	C2	U75B	C1	A2
R380	G3	D2	U76A	D1	A2
R381	G3	D2	U76B	D3	A2
R382	G3	D2	U76C	D4	A2
R383	G4	D2			
R384	G4	E2	W61	A2	Z9
R385	G4	E2	W62	A4	Z9
R386	G5	E2			



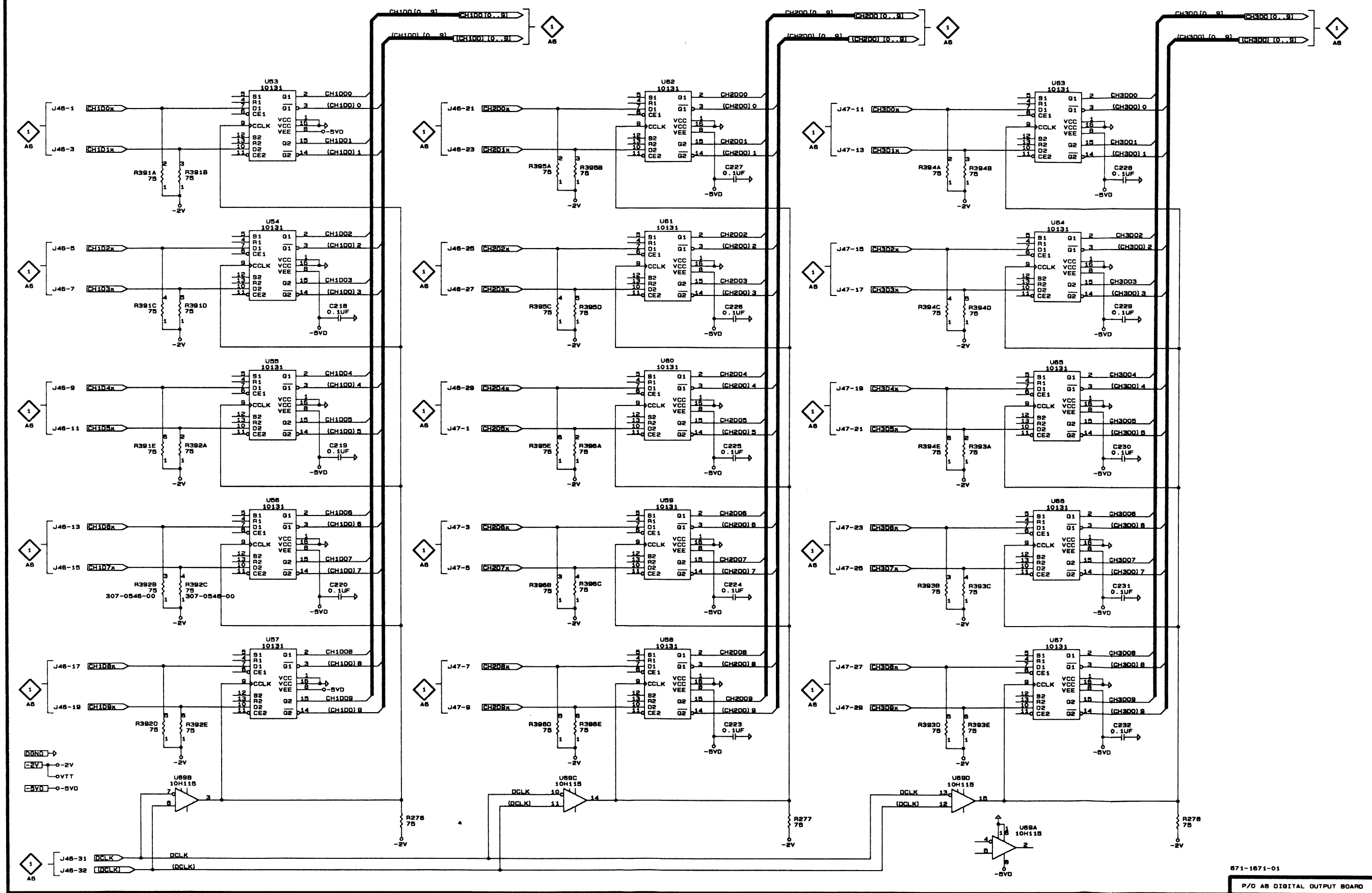


## Schematic Diagram <2> Look-up Chart DIGITAL OUTPUT Board

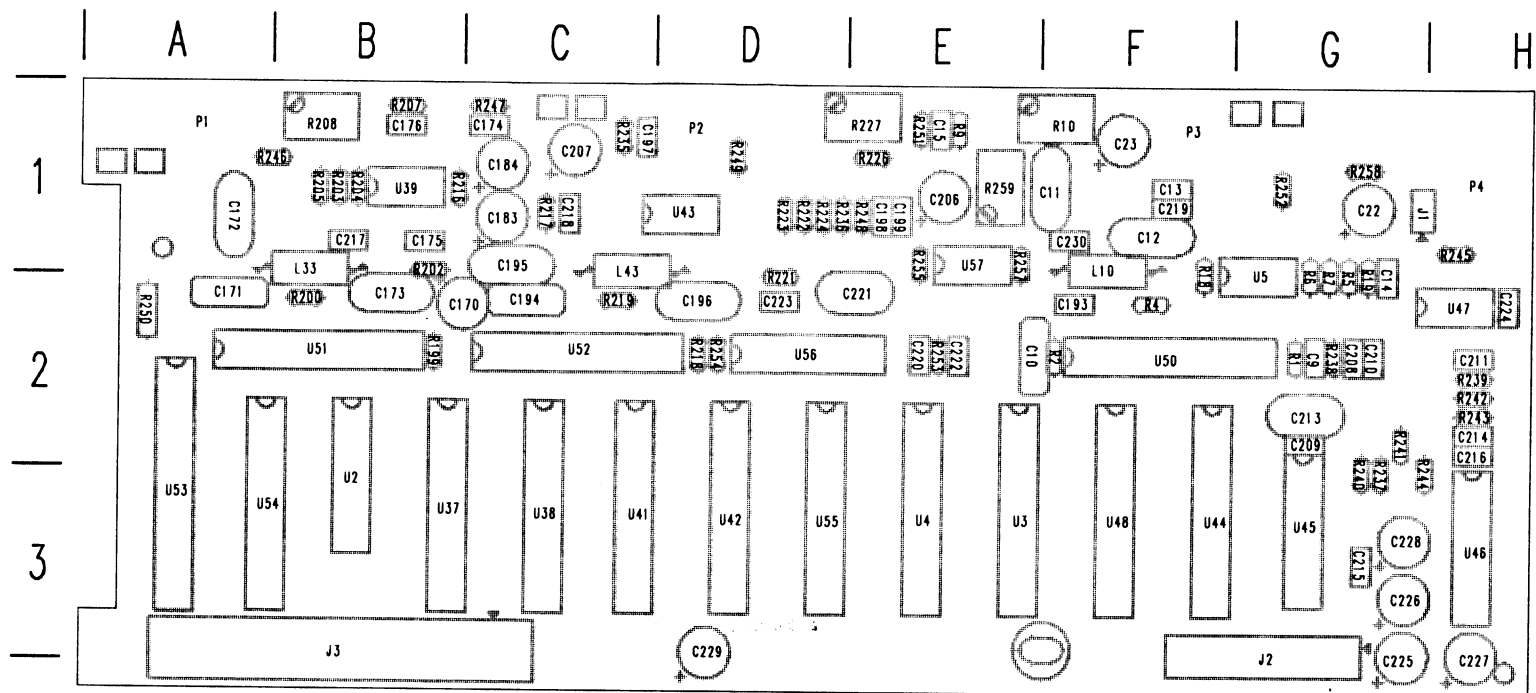
The schematic diagram has an alpha-numeric grid to assist in locating parts within that diagram. The etched circuit boards follow a numbering sequence starting with the lowest number at the upper left corner, as pictured in this manual.

**ASSEMBLY A6** *Partial A6 also shown on diagrams 1.*

CIRCUIT NUMBER	SCHEM LOCATION	BOARD LOCATION	CIRCUIT NUMBER	SCHEM LOCATION	BOARD LOCATION
C218	B2	E4	R394C	F2	E5
C219	B3	E4	R394D	F2	E5
C220	B4	E4	R394E	F3	E5
C223	E5	D4	R395A	D2	C5
C224	E4	B4	R395B	D2	C5
C225	E3	B4	R395C	D2	C5
C226	E2	C4	R395D	D2	C5
C227	E2	C4	R395E	D3	C5
C228	G2	E6	R396A	D3	D5
C229	G2	D6	R396B	D4	D5
C230	G3	D6	R396C	D4	D5
C231	G4	B6	R396D	D5	D5
C232	G5	D4	R396E	D5	D5
R276	C5	A4	U53	B1	C4
R277	E5	B5	U54	B2	C4
R278	G5	D4	U55	B3	B4
R391A	A2	A5	U56	B3	B4
R391B	B2	A5	U57	B4	A4
R391C	A2	A5	U58	D4	B5
R391D	B2	A5	U59	D3	C5
R391E	A3	A5	U60	D3	D5
R392A	B3	A5	U61	D2	D5
R392B	A4	A5	U62	D1	E5
R392C	B4	A5	U63	F1	F4
R392D	A5	A5	U64	F2	E4
R392E	B5	A5	U65	F3	E4
R393A	F3	E5	U66	F3	D4
R393B	F4	E5	U67	F4	D4
R393C	F4	E5	U69A	F5	B5
R393D	F5	E5	U69B	B5	B5
R393E	F5	E5	U69C	D5	B5
R394A	F2	E5	U69D	F5	B5
R394B	F2	E5			



871-1871-01  
P/O AB DIGITAL OUTPUT BOARD



A7 PEDESTAL Board

Static Sensitive Devices  
See Maintenance Section

**Schematic Diagram < 1 > Look-up Chart  
PEDESTAL Board**

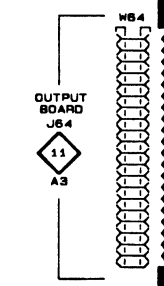
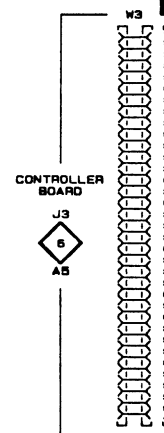
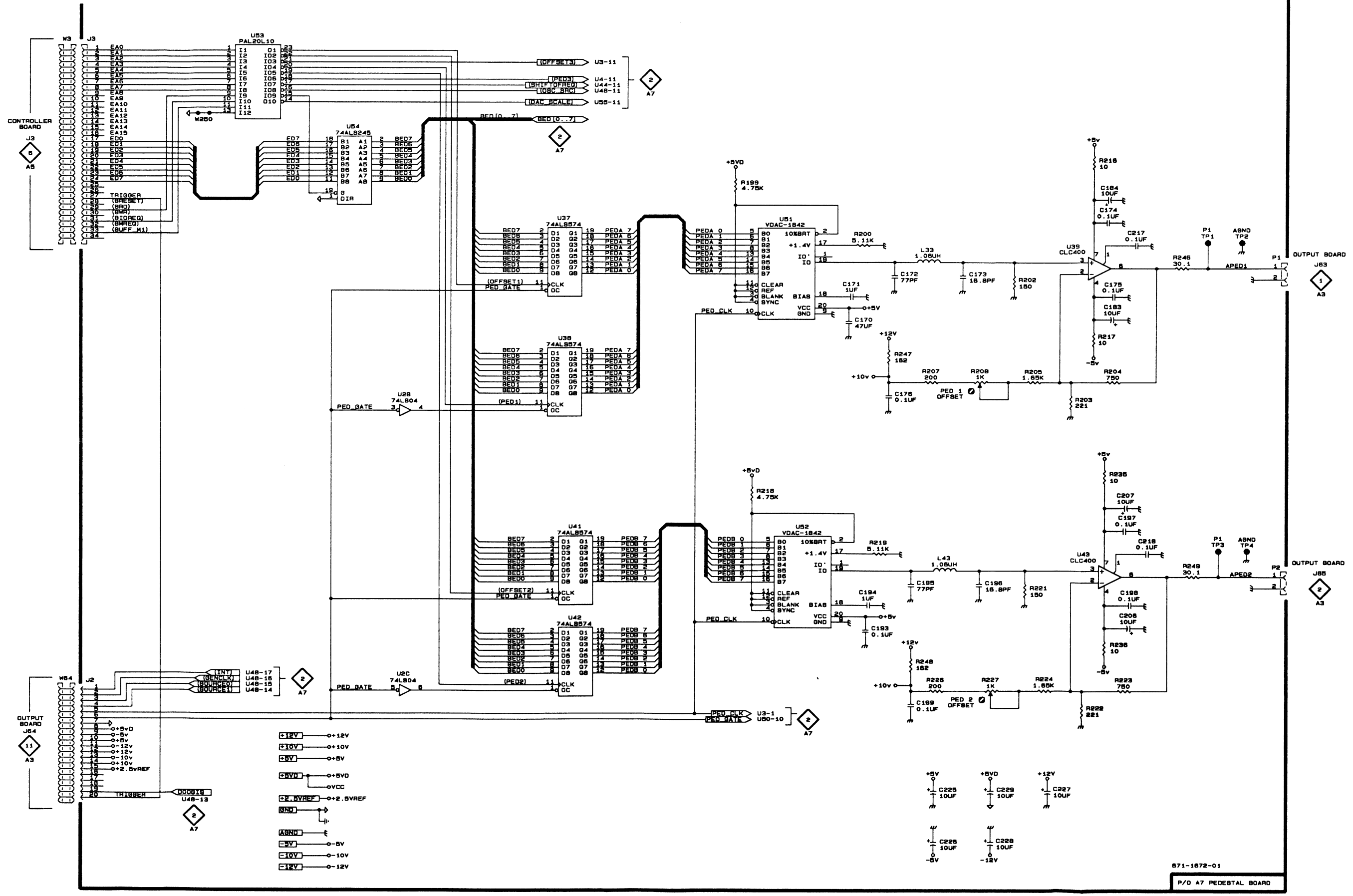
The schematic diagram has an alpha-numeric grid to assist in locating parts within that diagram. The etched circuit boards follow a numbering sequence starting with the lowest number at the upper left corner, as pictured in this manual.

**ASSEMBLY A7** Partial A7 also shown on diagram 2.

CIRCUIT NUMBER	SCHEM LOCATION	BOARD LOCATION	CIRCUIT NUMBER	SCHEM LOCATION	BOARD LOCATION
C170	F2	B2	R207	F3	B1
C171	F2	A2	R208	F3	B1
C172	F2	A1	R216	G1	B1
C173	F2	B2	R217	G2	C1
C174	G2	C1	R218	E3	D2
C175	G2	B1	R219	F4	C2
C176	F3	B1	R221	G4	D2
C183	G2	C1	R222	G4	D1
C184	G2	C1	R223	G4	D1
C193	F4	F2	R224	G4	D1
C194	F4	C2	R226	F4	E1
C195	F4	C1	R227	F4	E1
C196	F4	D2	R235	G3	C1
C197	G3	C1	R236	G4	D1
C198	G4	E1	R246	G2	A1
C199	F4	E1	R247	F2	C1
C206	G4	E1	R248	F4	E1
C207	G3	C1	R249	H4	D1
C217	G2	B1			
C218	G4	C1	TP1	H2	D4
C225	F5	G3	TP2	H2	D4
C226	F5	G3	TP3	H4	D4
C227	G5	H3	TP4	H4	D4
C228	F5	G3			
C229	F5	D3	U2B	C3	B3
J2	A4	G3	U2C	C4	B3
J3	A1	B3	U37	D2	B3
L33	F2	B2	U38	D2	C3
L43	F4	C2	U39	G2	B1
P1	H2	A1	U41	D4	C3
P2	H4	D1	U42	D4	D3
R199	E2	B2	U43	G4	D1
R200	F2	B2	U51	E2	B2
R202	F2	B2	U52	E4	C2
R203	G3	B1	U53	B1	A3
R204	G3	B1	U54	C1	A3
R205	G3	B1	W3		A1
			W64	A4	
			W250	B1	A2

A B C D E F G H

1  
2  
3  
4  
5



- C12V -> +12V
- C10V -> +10V
- +5V -> +5V
- +5VD -> +5VD
- +VCC -> +VCC
- GND -> GND
- ABND -> ABND
- 5V -> -5V
- 10V -> -10V
- 12V -> -12V

871-1672-01

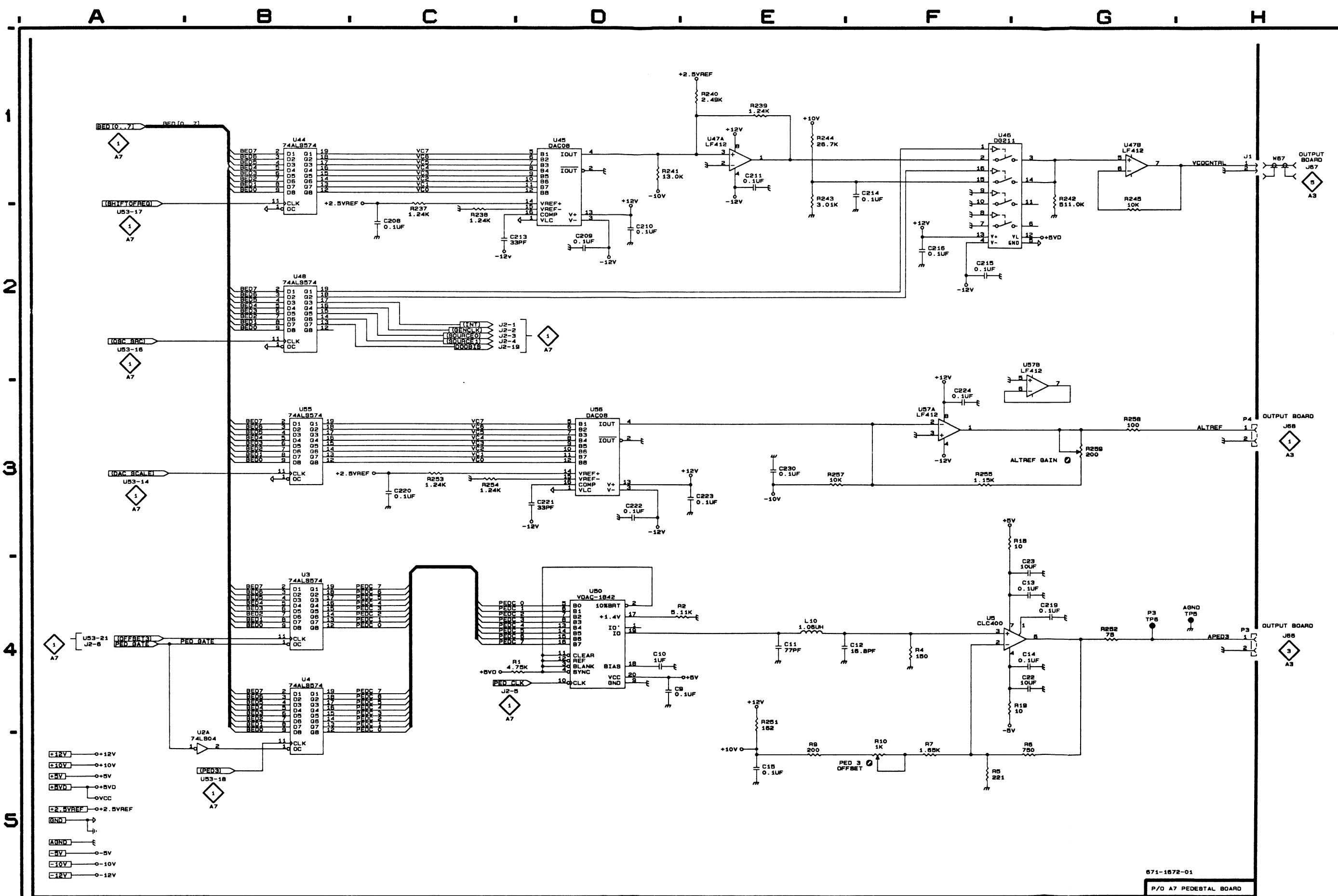
P/D A7 PEDESTAL BOARD

## Schematic Diagram <2> Look-up Chart PEDESTAL Board

The schematic diagram has an alpha-numeric grid to assist in locating parts within that diagram. The etched circuit boards follow a numbering sequence starting with the lowest number at the upper left corner, as pictured in this manual.

**ASSEMBLY A7** *Partial A7 also shown on diagram 1.*

CIRCUIT NUMBER	SCHEM LOCATION	BOARD LOCATION	CIRCUIT NUMBER	SCHEM LOCATION	BOARD LOCATION
C9	D4	G2	R18	F3	F1
C10	D4	E2	R19	F4	G1
C11	E4	F1	R237	C1	G2
C12	E4	F1	R238	C2	G2
C13	G4	F1	R239	E1	H2
C14	G4	G1	R240	E1	G2
C15	E5	E1	R241	D1	G2
C22	G4	G1	R242	G1	H2
C23	G4	F1	R243	E1	H2
C208	C2	G2	R244	E1	G2
C209	D2	G2	R245	G2	H1
C210	D2	G2	R251	E4	E1
C211	E1	H2	R252	G4	G1
C213	C2	G2	R253	C3	E2
C214	F1	H2	R254	C3	D2
C215	F2	G3	R255	F3	E1
C216	F2	H2	R257	E3	E1
C219	G4	F1	R258	G3	G1
C220	C3	E2	R259	G3	E1
C221	D3	D2			
C222	D3	E2	TP5	H4	D4
C223	E3	D2	TP6	G4	D4
C224	F3	H2			
C230	E3	F1	U2A	B5	B3
			U3	B4	E3
J1	H1	G1	U4	B4	E3
			U5	F4	G2
L10	E4	F1	U44	B1	F3
			U45	D1	G3
P3	H4	F1	U46	F1	H3
P4	H3	H1	U47A	E1	H2
			U47B	G1	H2
R1	C4	G2	U48	B2	F3
R2	D4	F2	U50	D4	F2
R4	F4	F2	U55	B3	D3
R5	F5	G1	U56	D3	D2
R6	G5	G1	U57A	F3	E1
R7	F5	G1	U57B	G2	E1
R9	E5	E1			
R10	F5	F1	W67	H1	



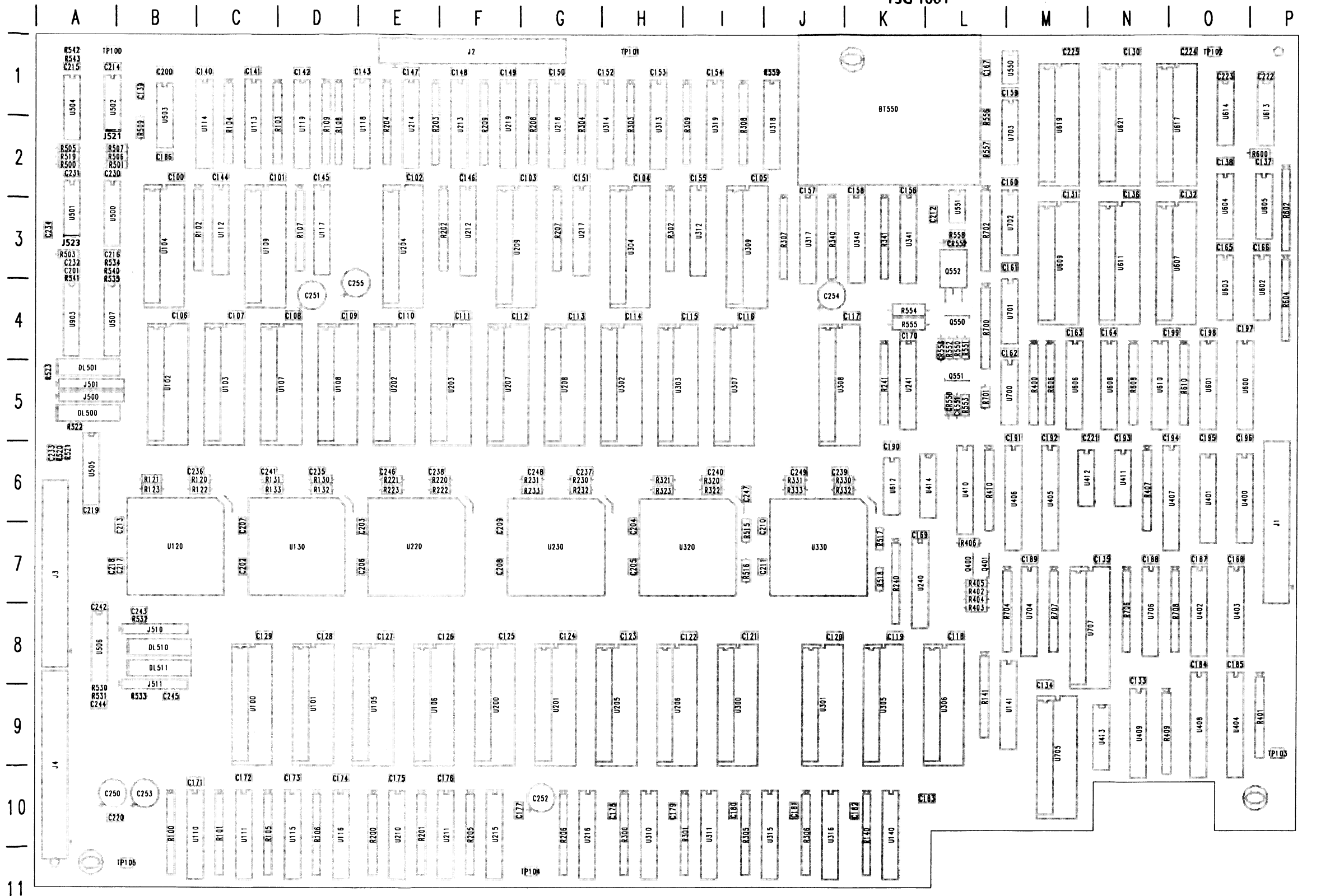
TSG 1001

PEDESTAL 3 AND REFERENCE CONTROL AND VCO CONTROL

671-1672-01

P/O A7 PEDESTAL BOARD

2  
A7



**Schematic Diagram < 1 >  
Look-up Chart  
RAM Board**

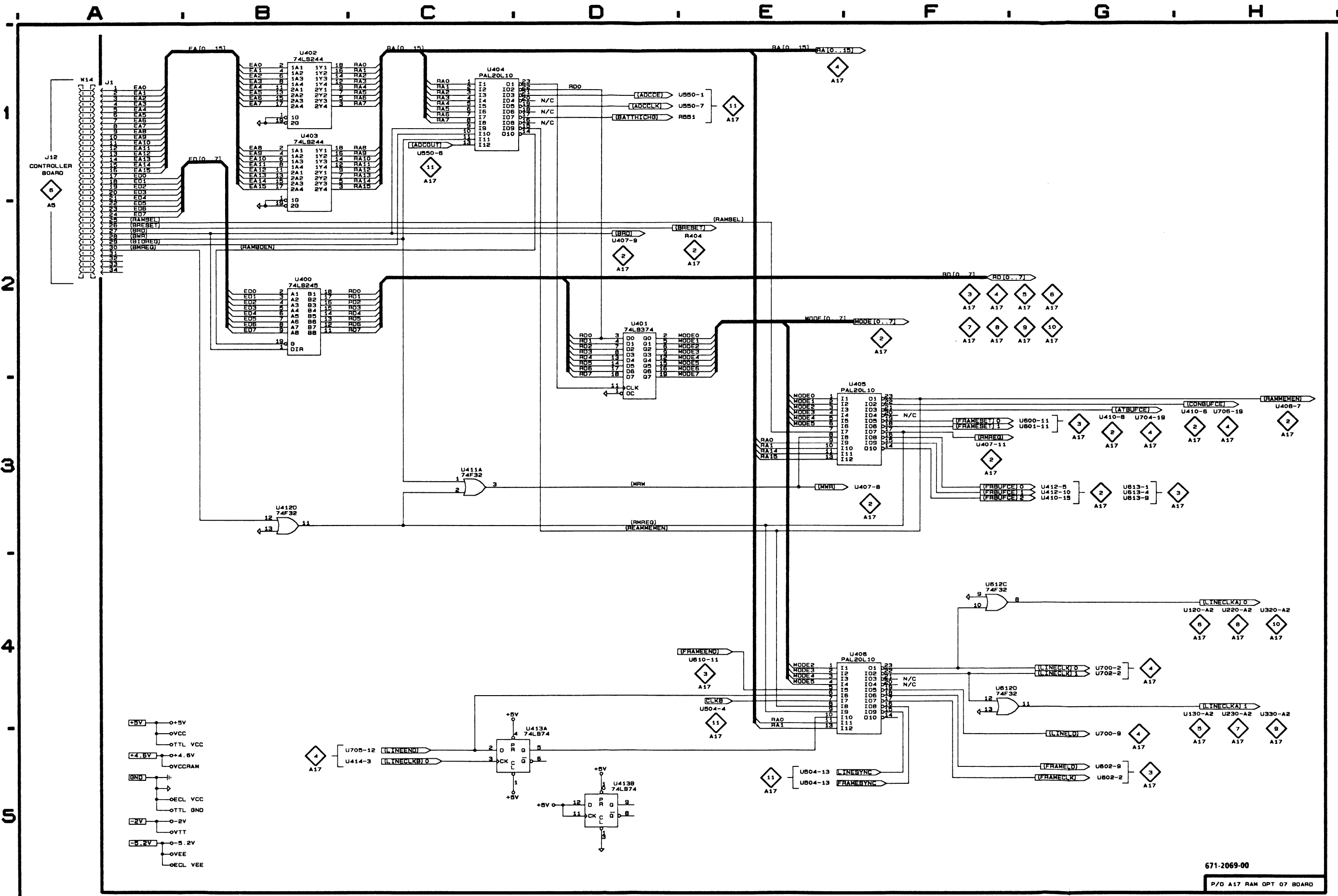
The schematic diagram has an alpha-numeric grid to assist in locating parts within that diagram. The etched circuit boards follow a numbering sequence starting with the lowest number at the upper left corner, as pictured in this manual.

**ASSEMBLY A17.** Partial A17 also shown on diagrams 2, 3, 4, 5, 6, 7, 8, 9, 10, 11, and 12.

CIRCUIT NUMBER	SCHEM LOCATION	BOARD LOCATION
J1	A1	P6
U400	B2	O6
U401	D2	O6
U402	B1	O8
U403	B1	O8
U404	C1	O9
U405	E3	M6
U406	F4	M6
U411A	C3	N6
U412D	B3	M6
U413A	C5	N9
U413B	D5	N9
U612C	F4	K6
U612D	F4	K6
W14	A1	

**A17 RAM Board OPT. 07**

**Static Sensitive Devices**  
See Maintenance Section



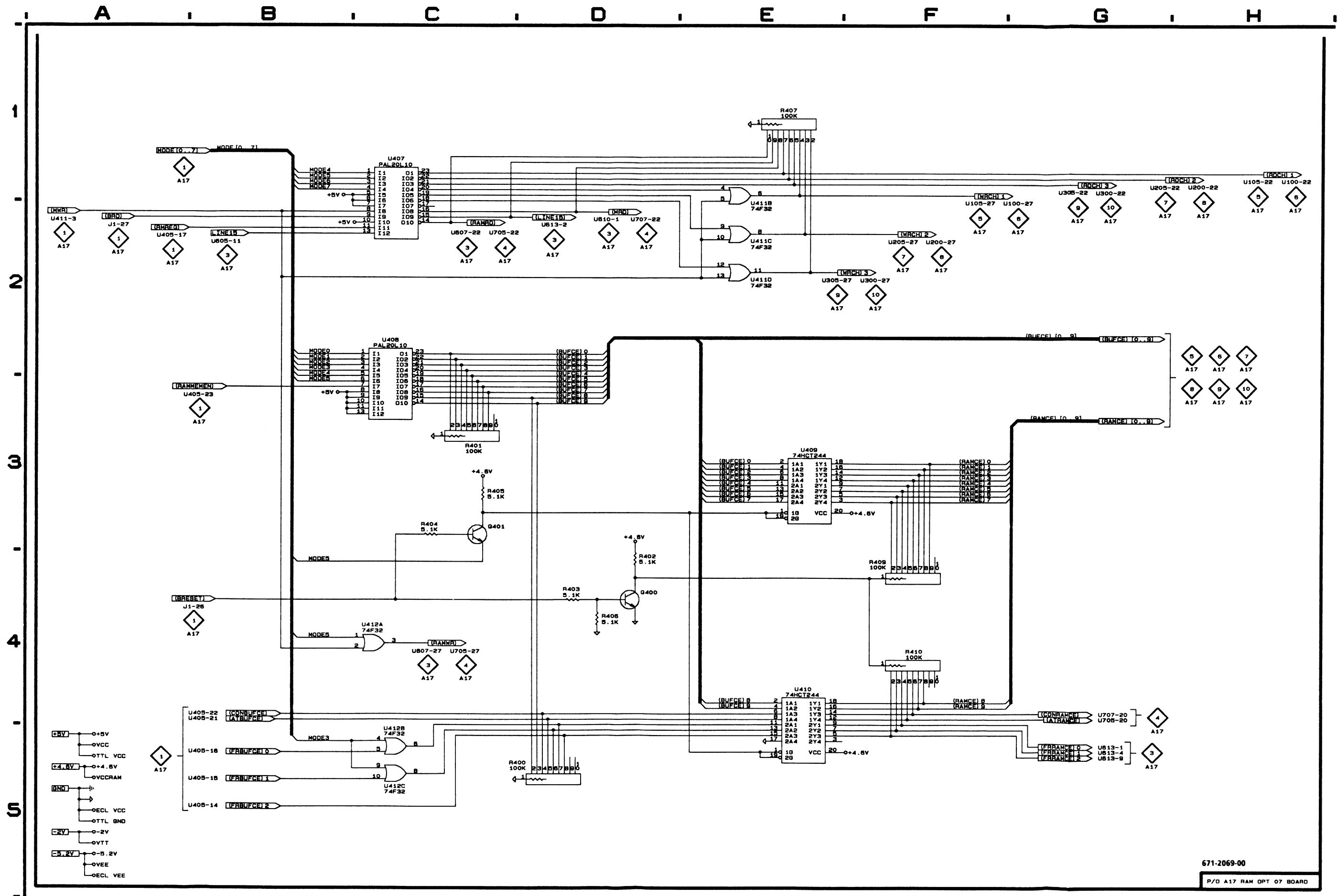


## Schematic Diagram <2> Look-up Chart RAM Board

The schematic diagram has an alpha-numeric grid to assist in locating parts within that diagram. The etched circuit boards follow a numbering sequence starting with the lowest number at the upper left corner, as pictured in this manual.

**ASSEMBLY A17.** *Partial A17 also shown on diagrams 1, 3, 4, 5, 6, 7, 8, 9, 10, 11, and 12.*

CIRCUIT NUMBER	SCHEM LOCATION	BOARD LOCATION
Q400	D4	L7
Q401	C3	L7
R400	D5	M5
R401	C3	P9
R402	D4	L7
R403	D4	L8
R404	C3	L7
R405	C3	L7
R406	D4	L7
R407	E1	N6
R409	F4	O9
R410	F4	L6
U407	C1	O6
U408	C2	O9
U409	E3	N9
U410	E4	L6
U411B	E1	N6
U411C	E2	N6
U411D	E2	N6
U412A	C4	M6
U412B	C5	M6
U412C	C5	M6



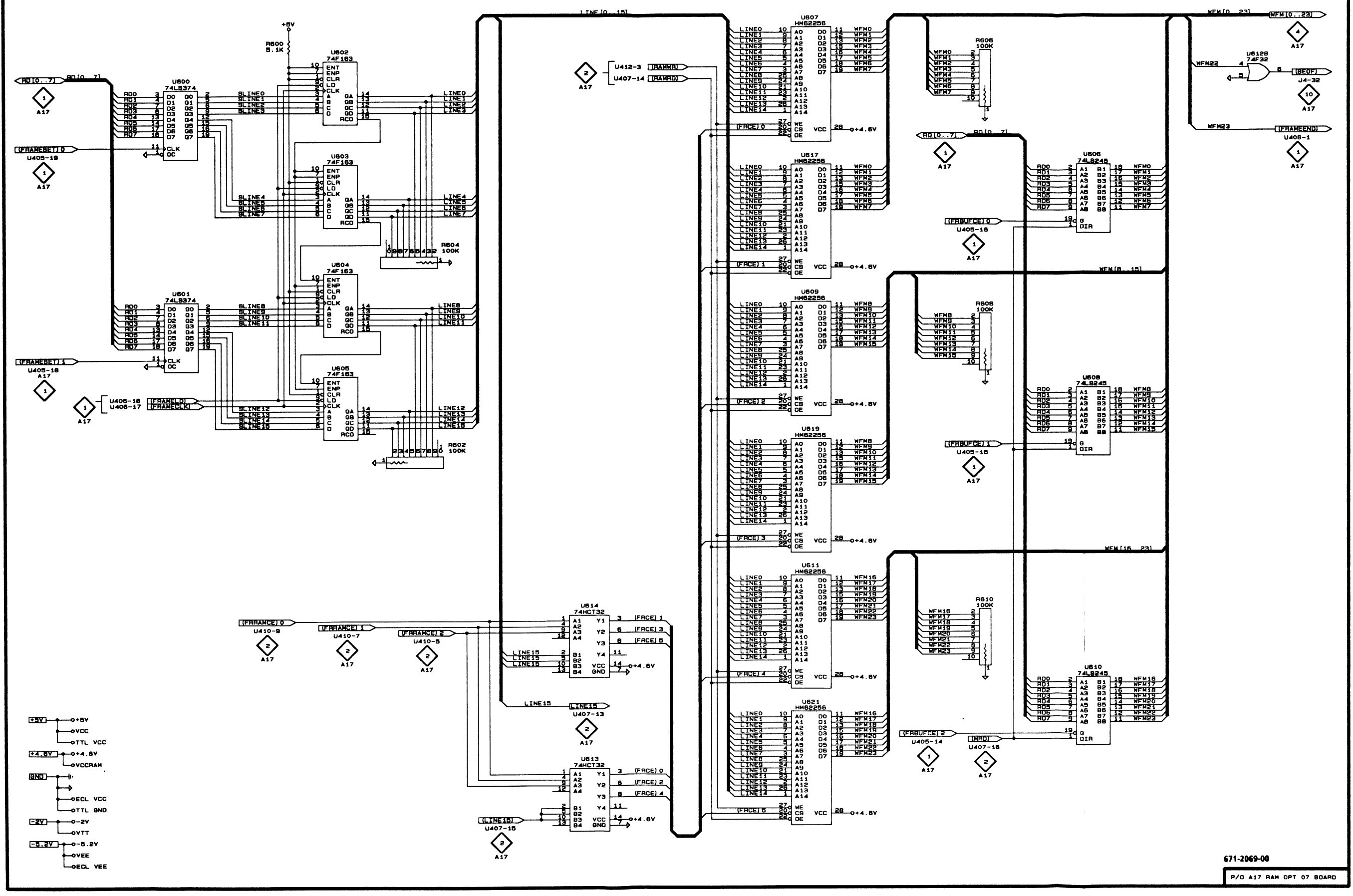
671-2069-00  
P/O A17 RAM OPT 07 BOARD

### Schematic Diagram < 3 > Look-up Chart RAM Board

The schematic diagram has an alpha-numeric grid to assist in locating parts within that diagram. The etched circuit boards follow a numbering sequence starting with the lowest number at the upper left corner, as pictured in this manual.

**ASSEMBLY A17.** *Partial A17 also shown on diagrams 1, 2, 4, 5, 6, 7, 8, 9, 10, 11, and 12.*

CIRCUIT NUMBER	SCHEM LOCATION	BOARD LOCATION
R600	B1	P2
R602	C3	P3
R604	C2	P4
R606	F1	M5
R608	F2	N5
R610	F4	O5
U600	B1	O5
U601	B2	O5
U602	B1	P4
U603	B1	O4
U604	B2	O3
U605	B3	P3
U606	G1	M5
U607	E1	O3
U608	G3	N5
U609	E2	M3
U610	G4	N5
U611	E4	N3
U612B	H1	K6
U613	D5	P2
U614	D4	O1
U617	E1	O2
U619	E3	M2
U621	E4	N2



## Schematic Diagram < 4 > Look-up Chart RAM Board

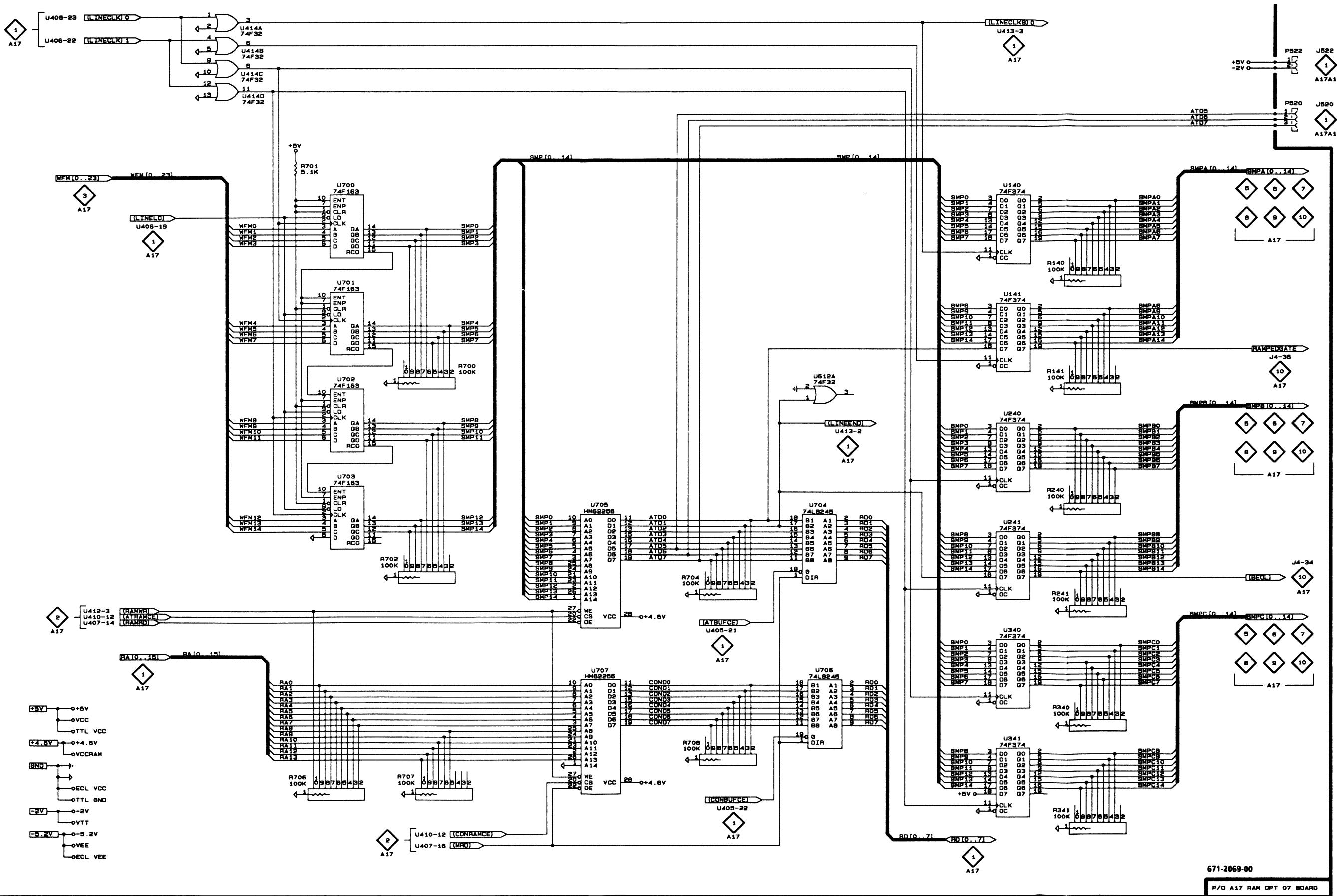
The schematic diagram has an alpha-numeric grid to assist in locating parts within that diagram. The etched circuit boards follow a numbering sequence starting with the lowest number at the upper left corner, as pictured in this manual.

**ASSEMBLY A17.** *Partial A17 also shown on diagrams 1, 2, 3, 5, 6, 7, 8, 9, 10, 11, and 12.*

CIRCUIT NUMBER	SCHEM LOCATION	BOARD LOCATION
P520	H1	
P522	H1	
R140	G2	K10
R141	G3	L9
R240	G3	K7
R241	G4	K5
R340	G4	J3
R341	G5	K3
R700	C3	L4
R701	C1	L5
R702	C4	L3
R704	E4	M8
R706	B5	N8
R707	C5	M8
R708	E5	O8
U140	F2	K10
U141	F2	L9
U240	F3	K7
U241	F3	K5
U340	F4	K3
U341	F5	K3
U414A	B1	K6
U414B	B1	K6
U414C	B1	K6
U414D	B1	K6
U612A	E3	K6
U700	C2	L5
U701	C2	L4
U702	C3	L3
U703	C3	L2
U704	E3	M8
U705	D3	M9
U706	E4	N8
U707	D4	M8

A B C D E F G H

1  
2  
3  
4  
5



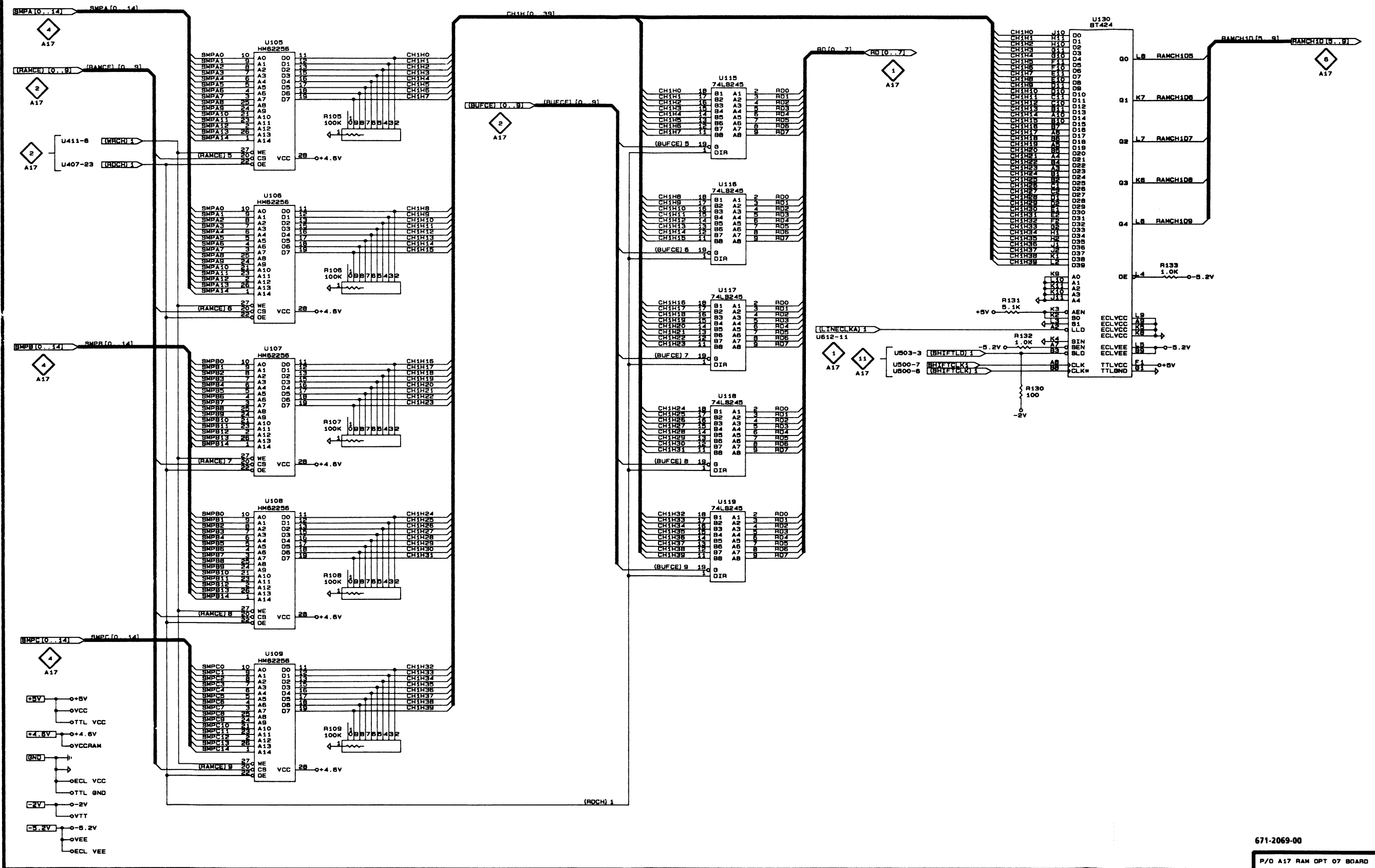
## Schematic Diagram <5> Look-up Chart RAM Board

The schematic diagram has an alpha-numeric grid to assist in locating parts within that diagram. The etched circuit boards follow a numbering sequence starting with the lowest number at the upper left corner, as pictured in this manual.

**ASSEMBLY A17.** *Partial A17 also shown on diagrams 1, 2, 3, 4, 6, 7, 8, 9, 10, 11, and 12.*

CIRCUIT NUMBER	SCHEM LOCATION	BOARD LOCATION
R105	C2	C10
R106	C2	D10
R107	C3	D3
R108	C4	D2
R109	C5	D2
R130	F3	D6
R131	F2	C6
R132	F3	D6
R133	G2	C6
U105	B1	E9
U106	B2	E9
U107	B3	C5
U108	B4	D5
U109	B4	C3
U115	E1	D10
U116	E2	D10
U117	E2	D3
U118	E3	D2
U119	E4	D2
U130	G1	D7

1  
2  
3  
4  
5



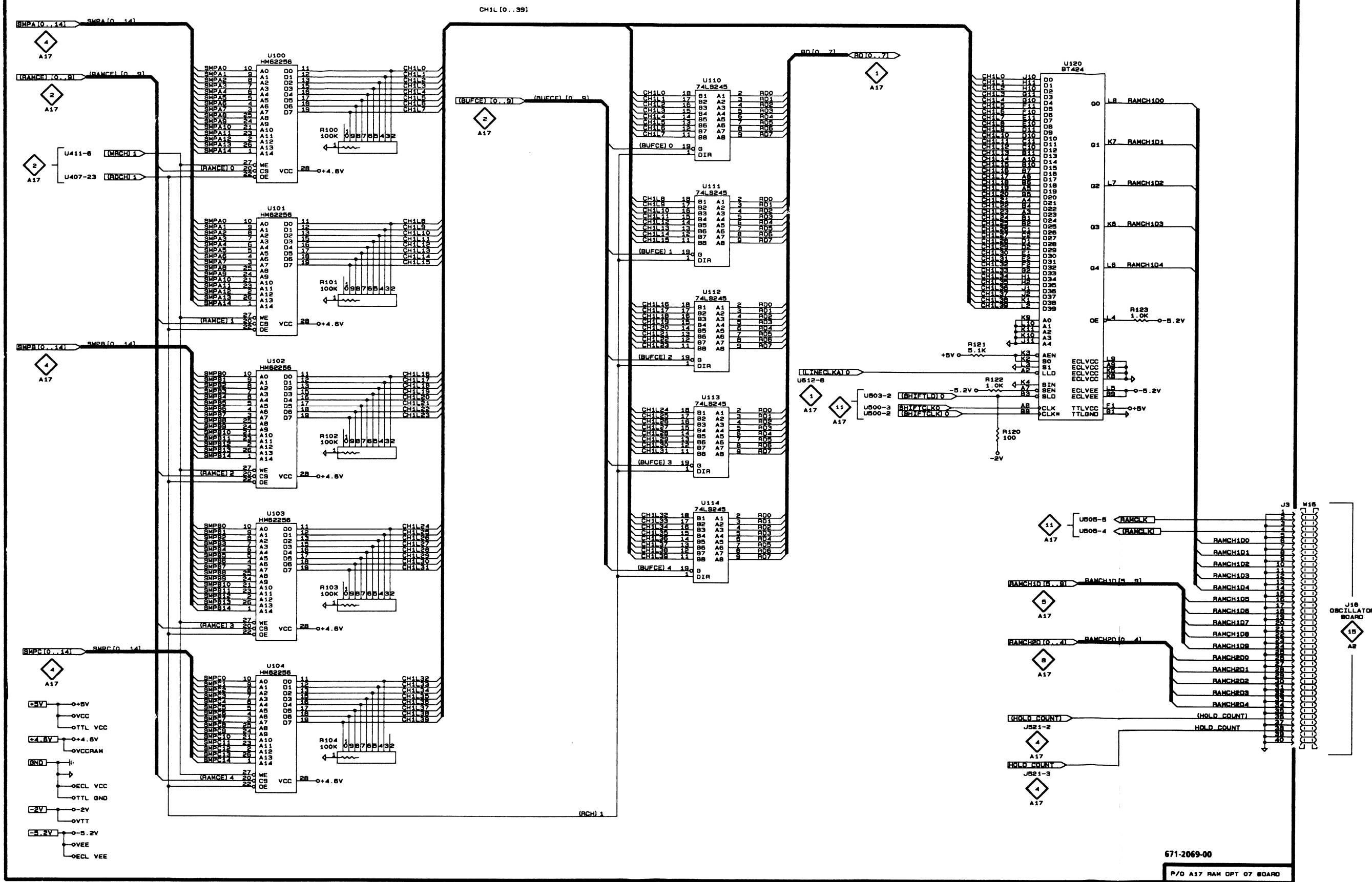


## Schematic Diagram <6> Look-up Chart RAM Board

The schematic diagram has an alpha-numeric grid to assist in locating parts within that diagram. The etched circuit boards follow a numbering sequence starting with the lowest number at the upper left corner, as pictured in this manual.

**ASSEMBLY A17.** *Partial A17 also shown on diagrams 1, 2, 3, 4, 5, 7, 8, 9, 10, 11, and 12.*

CIRCUIT NUMBER	SCHEM LOCATION	BOARD LOCATION
J3	H3	A7
R100	B2	B10
R101	B2	C10
R102	B3	C3
R103	B4	C2
R104	B5	B2
R120	F3	B6
R121	F3	B6
R122	F3	B6
R123	G2	B6
U100	B1	C9
U101	B2	D9
U102	B3	B5
U103	B4	C5
U104	B4	B3
U110	E1	B10
U111	E2	C10
U112	E2	C3
U113	E3	C2
U114	E3	C2
U120	F1	B7
W16	H3	

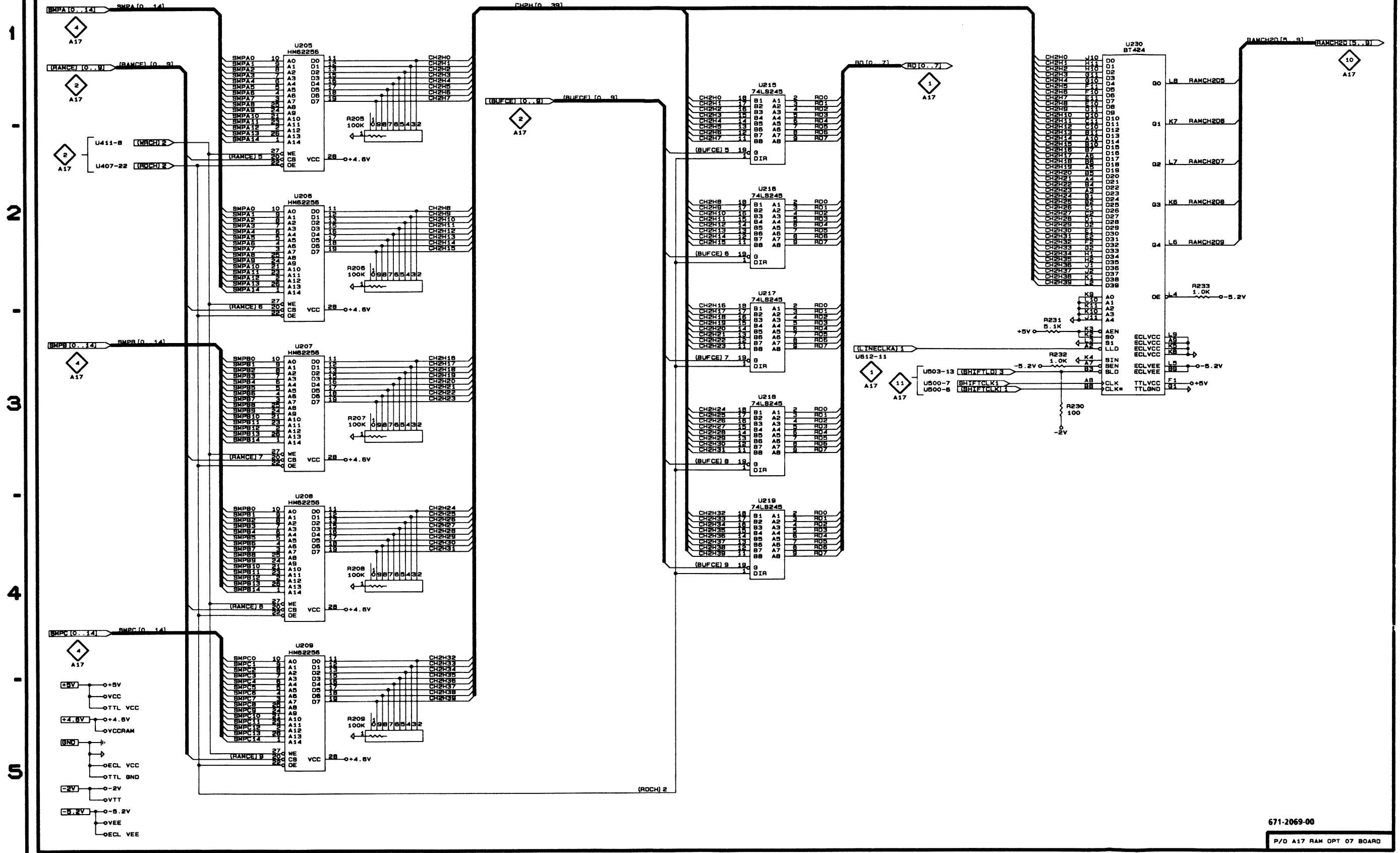


## Schematic Diagram <7> Look-up Chart RAM Board

The schematic diagram has an alpha-numeric grid to assist in locating parts within that diagram. The etched circuit boards follow a numbering sequence starting with the lowest number at the upper left corner, as pictured in this manual.

**ASSEMBLY A17** *Partial A17 also shown on diagrams 1, 2, 3, 4, 5, 6, 8, 9, 10, 11, and 12.*

CIRCUIT NUMBER	SCHEM LOCATION	BOARD LOCATION
R205	B2	F10
R206	B2	G10
R207	B3	G3
R208	B4	G2
R209	B5	F2
R230	F3	G6
R231	F3	G6
R232	F3	G6
R233	G2	G6
U205	B1	H9
U206	B2	H9
U207	B3	F5
U208	B4	G5
U209	B4	F3
U215	E1	F10
U216	E2	G10
U217	E2	G3
U218	E3	G2
U219	E4	F2
U230	G1	G7

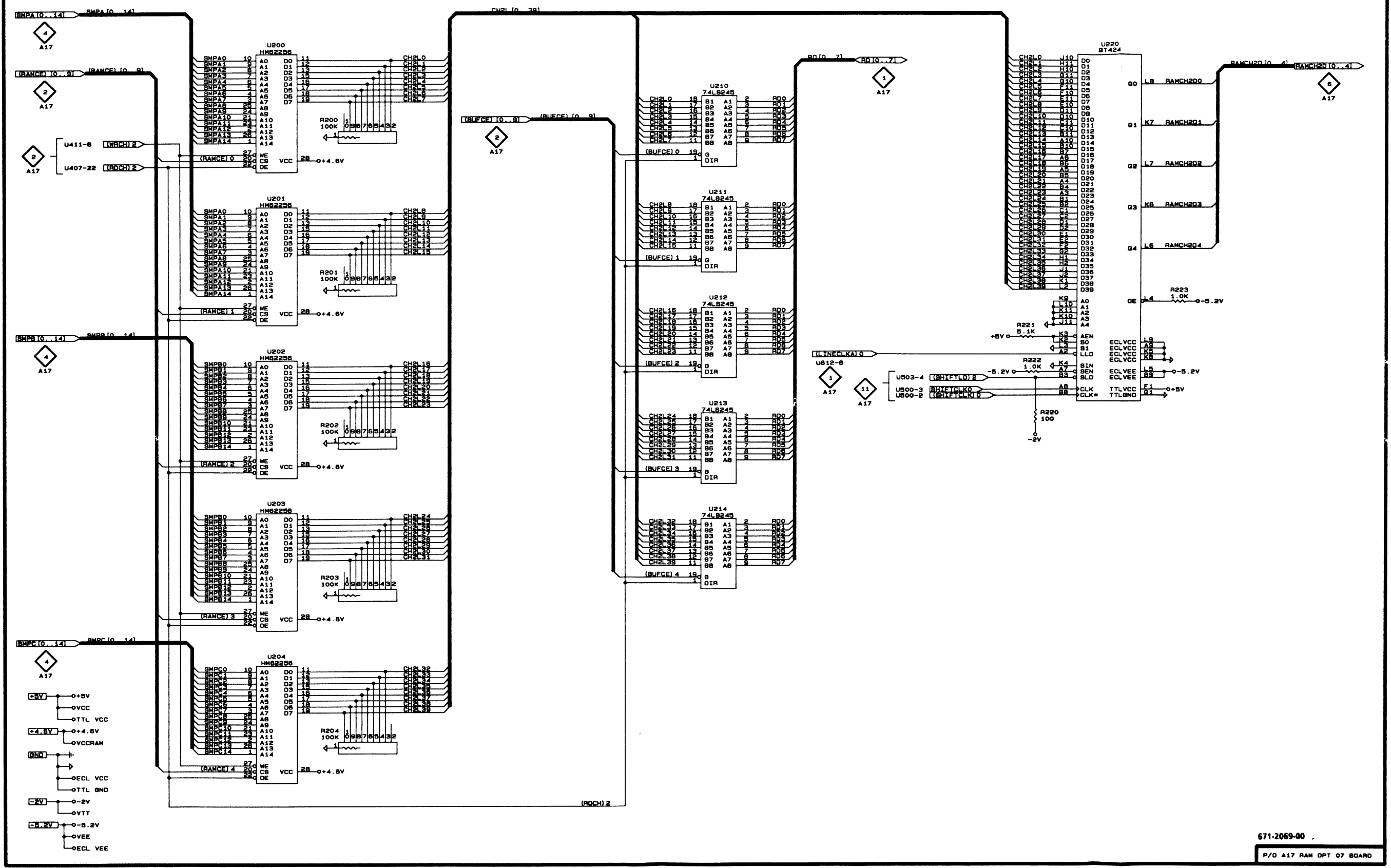


## Schematic Diagram <8> Look-up Chart RAM Board

The schematic diagram has an alpha-numeric grid to assist in locating parts within that diagram. The etched circuit boards follow a numbering sequence starting with the lowest number at the upper left corner, as pictured in this manual.

**ASSEMBLY A17.** *Partial A17 also shown on diagrams 1, 2, 3, 4, 5, 6, 7, 9, 10, 11, and 12.*

CIRCUIT NUMBER	SCHEM LOCATION	BOARD LOCATION
R200	B2	E10
R201	B2	E10
R202	B3	F3
R203	B4	E2
R204	B5	E2
R220	F3	E6
R221	F3	E6
R222	F3	E6
R223	G2	E6
U200	B1	F9
U201	B2	G9
U202	B3	E5
U203	B4	F5
U204	B4	E3
U210	E1	E10
U211	E2	F10
U212	E2	F3
U213	E3	F2
U214	E4	E2
U220	G1	E7

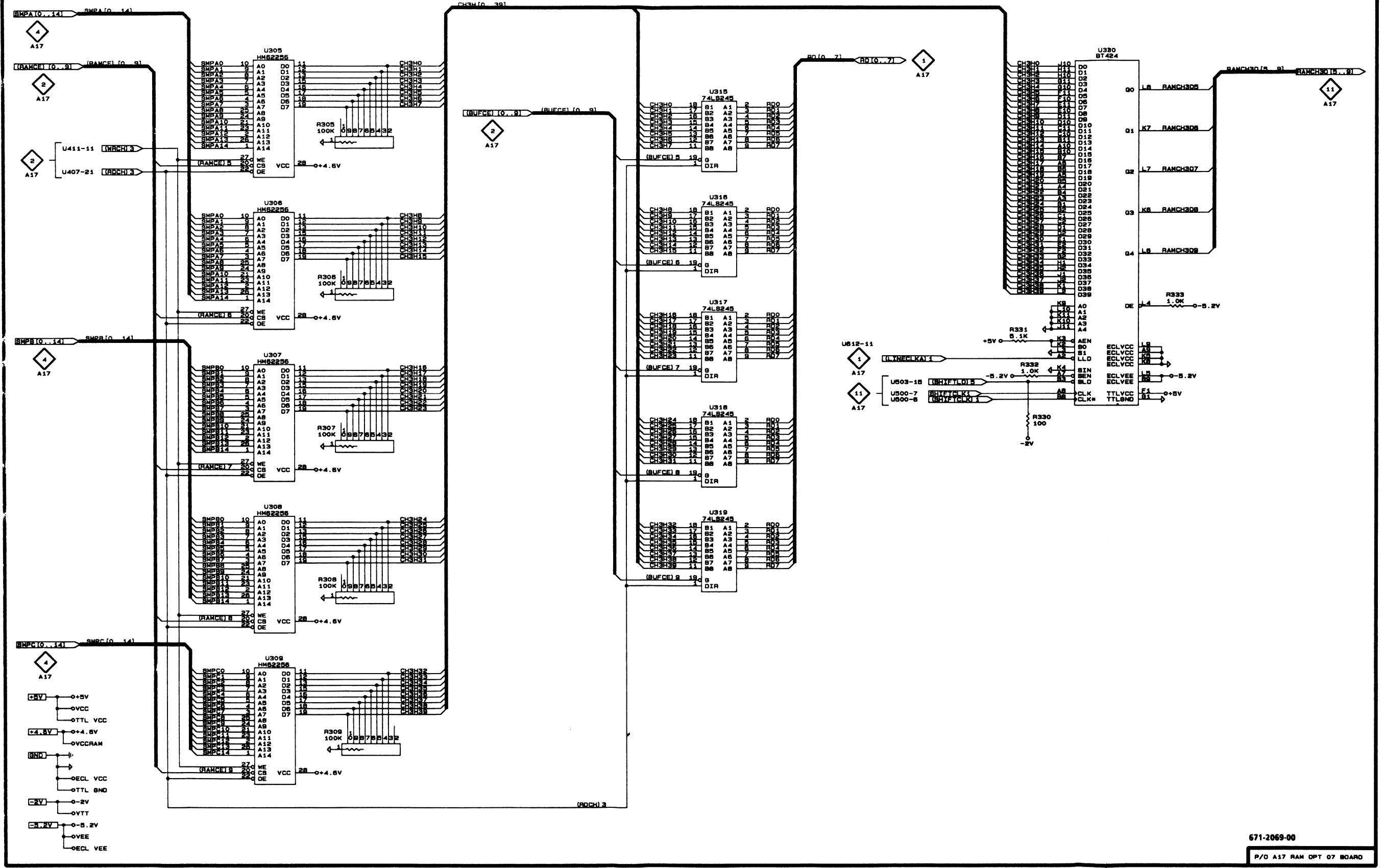


## Schematic Diagram < 9 > Look-up Chart RAM Board

The schematic diagram has an alpha-numeric grid to assist in locating parts within that diagram. The etched circuit boards follow a numbering sequence starting with the lowest number at the upper left corner as pictured in this manual.

**ASSEMBLY A17** *Partial A17 also shown on diagrams 1, 2, 3, 4, 5, 6, 7, 8, 10, 11, and 12.*

CIRCUIT NUMBER	SCHEM LOCATION	BOARD LOCATION
R305	B2	I10
R306	B2	J10
R307	B3	J3
R308	B4	I2
R309	C5	I2
R330	F3	J6
R331	F3	J6
R332	F3	J6
R333	G2	J6
U305	B1	K9
U306	B2	L9
U307	B3	I5
U308	B4	J5
U309	B4	I3
U315	E1	J10
U316	E2	J10
U317	E2	J3
U318	E3	J2
U319	E4	I2
U330	G1	J7



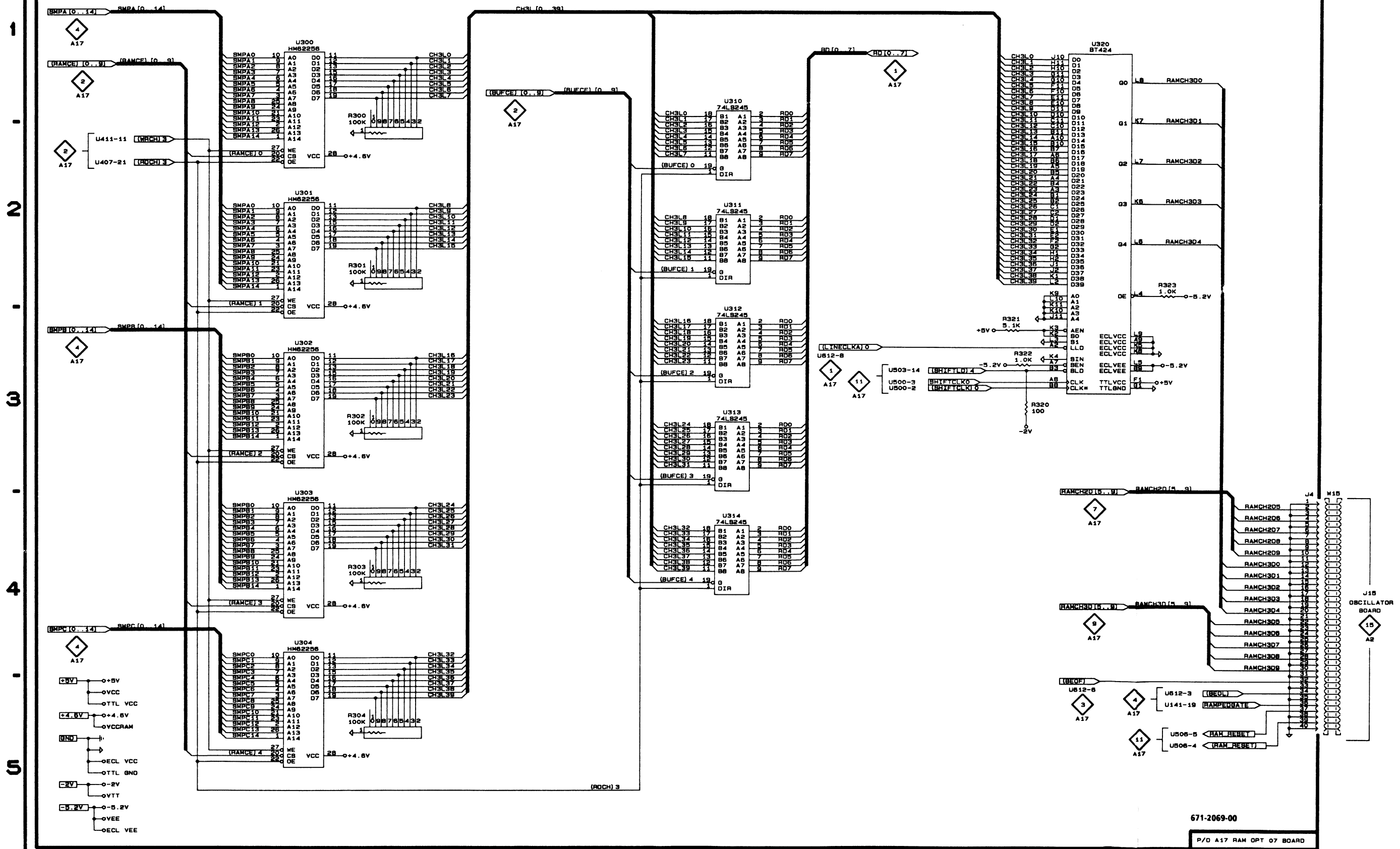


## Schematic Diagram < 10 > Look-up Chart RAM Board

The schematic diagram has an alpha-numeric grid to assist in locating parts within that diagram. The etched circuit boards follow a numbering sequence starting with the lowest number at the upper left corner, as pictured in this manual.

**ASSEMBLY A17.** *Partial A17 also shown on diagrams 1, 2, 3, 4, 5, 6, 7, 8, 9, 11, and 12.*

CIRCUIT NUMBER	SCHEM LOCATION	BOARD LOCATION
J4	H4	A10
R300	B2	H10
R301	B2	I10
R302	B3	H3
R303	B4	H2
R304	B5	G2
R320	F3	I6
R321	F3	H6
R322	F3	I6
R323	G2	H6
U300	B1	I9
U301	B2	J9
U302	B3	H5
U303	B4	H5
U304	B4	H3
U310	E1	H10
U311	E2	I10
U312	E3	I3
U313	E3	H2
U314	E4	G2
U320	G1	I7
W15	H4	



## Schematic Diagram < 11 > Look-up Chart RAM Board

The schematic diagram has an alpha-numeric grid to assist in locating parts within that diagram. The etched circuit boards follow a numbering sequence starting with the lowest number at the upper left corner, as pictured in this manual.

**ASSEMBLY A17.** *Partial A17 also shown on diagrams 1, 2, 3, 4, 5, 6, 7, 8, 9, 10, and 12.*

CIRCUIT NUMBER	SCHEM LOCATION	BOARD LOCATION	CIRCUIT NUMBER	SCHEM LOCATION	BOARD LOCATION
BT550	D4	K1	R540	E1	A3
			R541	E1	A4
CR550	C5	L5	R542	F1	A1
CR551	C5	L5	R543	G1	A1
CR552	D5	L3	R550	B4	L4
CR553	C4	L4			
			R551	B4	L4
DL500	B2	A5	R552	C5	L4
DL501	B3	A5	R553	C5	L5
DL510	B1	B8	R554	D5	K4
DL511	B2	B8	R555	D5	K4
J500	C2	A5	R556	E4	L2
J501	C3	A5	R557	E5	L2
J510	C1	B8	R558	D5	L3
J511	C1	B9	R559	D5	J1
J521	A4	A3			
J523	H2	A3	U500A	D2	A3
			U500B	D3	A3
Q550	C4	L4	U503	G2	B2
Q551	C5	L5	U504A	E4	A1
Q552	C5	L3	U504B	G1	A1
R500	C3	A2	U504C	H1	A1
R501	C3	A2	U504D	G1	A1
R505	A4	A2	U505A	B3	A6
R506	H2	A2	U505B	C3	A6
R507	H2	A2	U506A	B1	A8
R509	G2	B2	U506B	C1	A8
R515	D3	I7	U507A	D2	A4
R516	D3	I7	U507B	D1	A4
R517	D3	K7	U507C	D2	A4
R518	D3	K7	U507D	E3	A4
R520	B3	A6	U550	E5	L1
R521	B3	A6	U551	E4	L3
R522	C2	A5	U903A	E1	A4
R523	C3	A5	U903B	F1	A4
R530	B1	A9			
R531	B1	A9			
R532	C1	B8			
R533	C2	B9			
R534	C1	A3			
R535	C1	A4			

A B C D E F G H

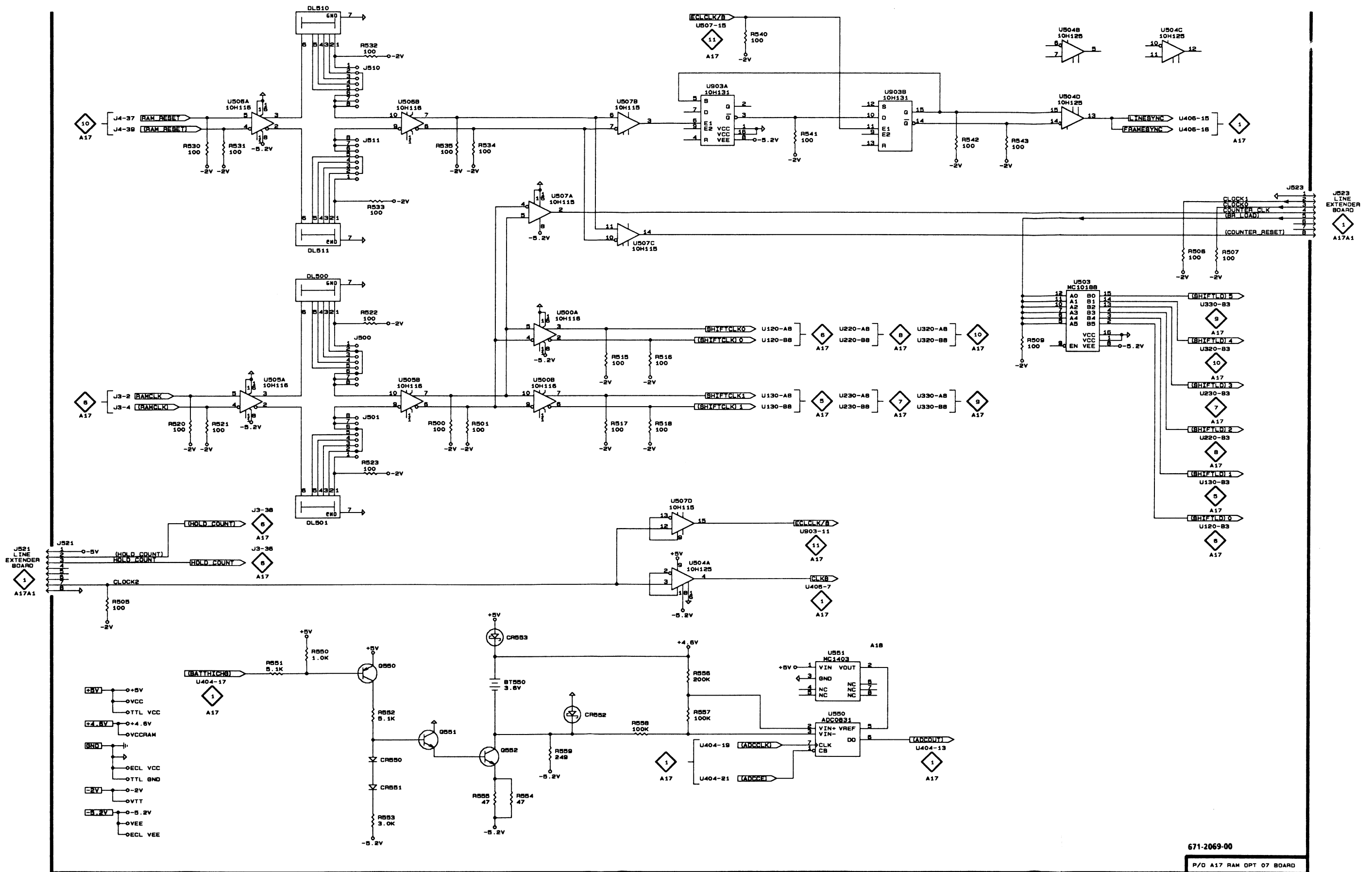
1

2

3

4

5



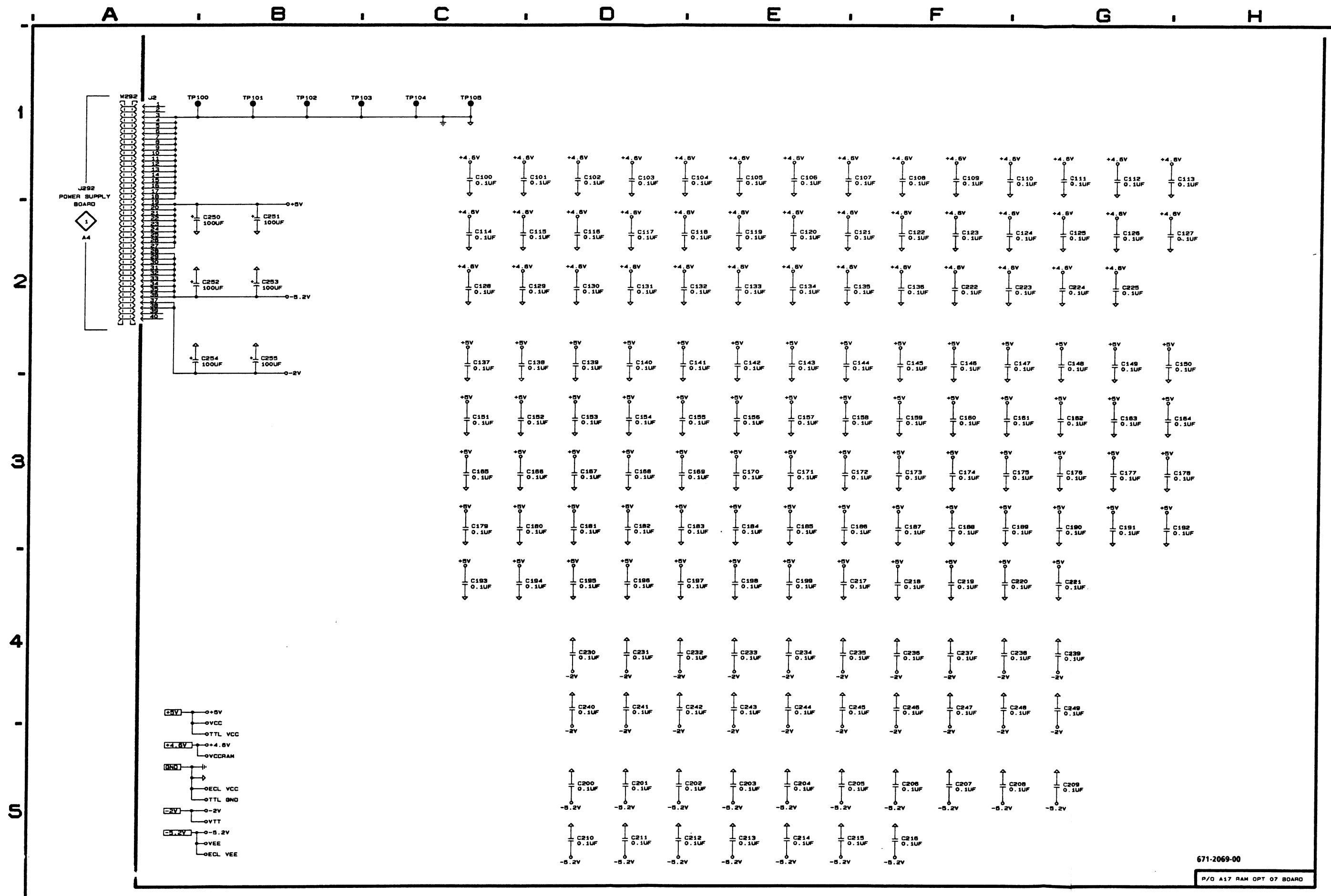
671-2069-00  
P/O A17 RAM OPT 07 BOARD

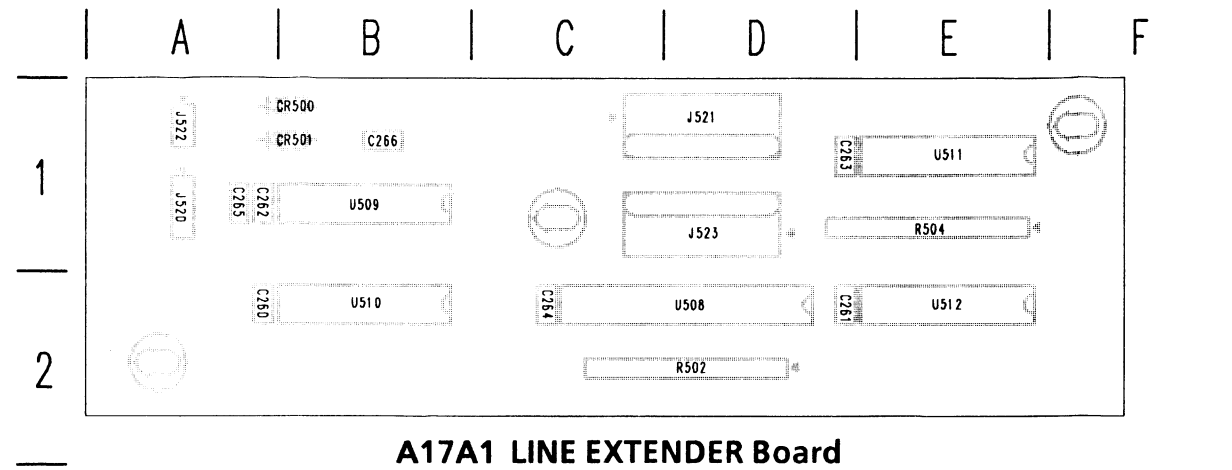
## Schematic Diagram < 12 > Look-up Chart RAM Board

The schematic diagram has an alpha-numeric grid to assist in locating parts within that diagram. The etched circuit boards follow a numbering sequence starting with the lowest number at the upper left corner, as pictured in this manual

**ASSEMBLY A17.** *Partial A17 also shown on diagrams 1, 2, 3, 4, 5, 6, 7, 8, 9, 10, and 11.*

CIRCUIT NUMBER	SCHEM LOCATION	BOARD LOCATION	CIRCUIT NUMBER	SCHEM LOCATION	BOARD LOCATION	CIRCUIT NUMBER	SCHEM LOCATION	BOARD LOCATION
C100	C1	B2	C156	E3	K2	C212	D5	L3
C101	C1	C2	C157	E3	J2	C213	E5	B7
C102	D1	E2	C158	E3	K2	C214	E5	A1
C103	D1	G2	C159	F3	L1	C215	E5	A1
C104	D1	H2	C160	F3	L2	C216	F5	A3
C105	E1	I2	C161	F3	L3	C217	E4	B7
C106	E1	B4	C162	G3	L4	C218	F4	A7
C107	E1	C4	C163	G3	M4	C219	F4	A6
C108	F1	D4	C164	G3	N4	C220	F4	A10
C109	F1	D4	C165	C3	O3	C221	G4	M5
C110	F1	E4	C166	C3	P3	C222	F2	P1
C111	G1	F4	C167	D3	L1	C223	F2	O1
C112	G1	F4	C168	D3	O7	C224	G2	O1
C113	G1	G4	C169	D3	K7	C225	G2	M1
C114	C2	H4	C170	E3	K4	C230	D4	A2
C115	C2	I4	C171	E3	B10	C231	D4	A2
C116	D2	I4	C172	E3	C10	C232	D4	A3
C117	D2	K4	C173	F3	D10	C233	E4	A6
C118	D2	L8	C174	F3	D10	C234	E4	A3
C119	E2	K8	C175	F3	E10	C235	E4	D6
C120	E2	J8	C176	G3	F10	C236	F4	C6
C121	E2	I8	C177	G3	G10	C237	F4	G6
C122	F2	I8	C178	G3	H10	C238	F4	F6
C123	F2	H8	C179	C3	H10	C239	G4	J6
C124	F2	G8	C180	C3	I10	C240	D4	I6
C125	G2	F8	C181	D3	J10	C241	D4	C6
C126	G2	F8	C182	D3	K10	C242	D4	A8
C127	G2	E8	C183	D3	K10	C243	E4	B8
C128	C2	D8	C184	E3	O8	C244	E4	A9
C129	C2	C8	C185	E3	O8	C245	E4	B9
C130	D2	N1	C186	E3	B2	C246	F4	E6
C131	D2	M2	C187	F3	O7	C247	F4	I6
C132	D2	O2	C188	F3	N7	C248	F4	G6
C133	E2	N8	C189	F3	M7	C249	G4	J6
C134	E2	M9	C190	G3	K6	C250	A2	A10
C135	E2	N7	C191	G3	M5	C251	B2	D4
C136	F2	N2	C192	G3	M5	C252	A2	G10
C137	C2	P2	C193	C4	N5	C253	B2	B10
C138	C2	O2	C194	C4	N5	C254	A2	J4
C139	D2	B1	C195	D4	O5	C255	B2	D4
C140	D2	C1	C196	D4	O5	J2	A1	F1
C141	D2	C1	C197	D4	O4	TP100	A1	A1
C142	E2	D1	C198	E4	O4	TP101	B1	H1
C143	E2	D1	C199	E4	N4	TP102	B1	O1
C144	E2	C2	C200	D5	B1	TP103	B1	P9
C145	F2	D2	C201	D5	A3	TP104	C1	G11
C146	F2	F2	C202	D5	C7	TP105	C1	B11
C147	F2	E1	C203	E5	E7	W292	A1	
C148	G2	F1	C204	E5	H7			
C149	G2	F1	C205	E5	H7			
C150	G2	G1	C206	F5	E7			
C151	C3	G2	C207	F5	C7			
C152	C3	G1	C208	F5	F7			
C153	D3	H1	C209	G5	F7			
C154	D3	I1	C210	D5	J7			
C155	D3	I2	C211	D5	J7			





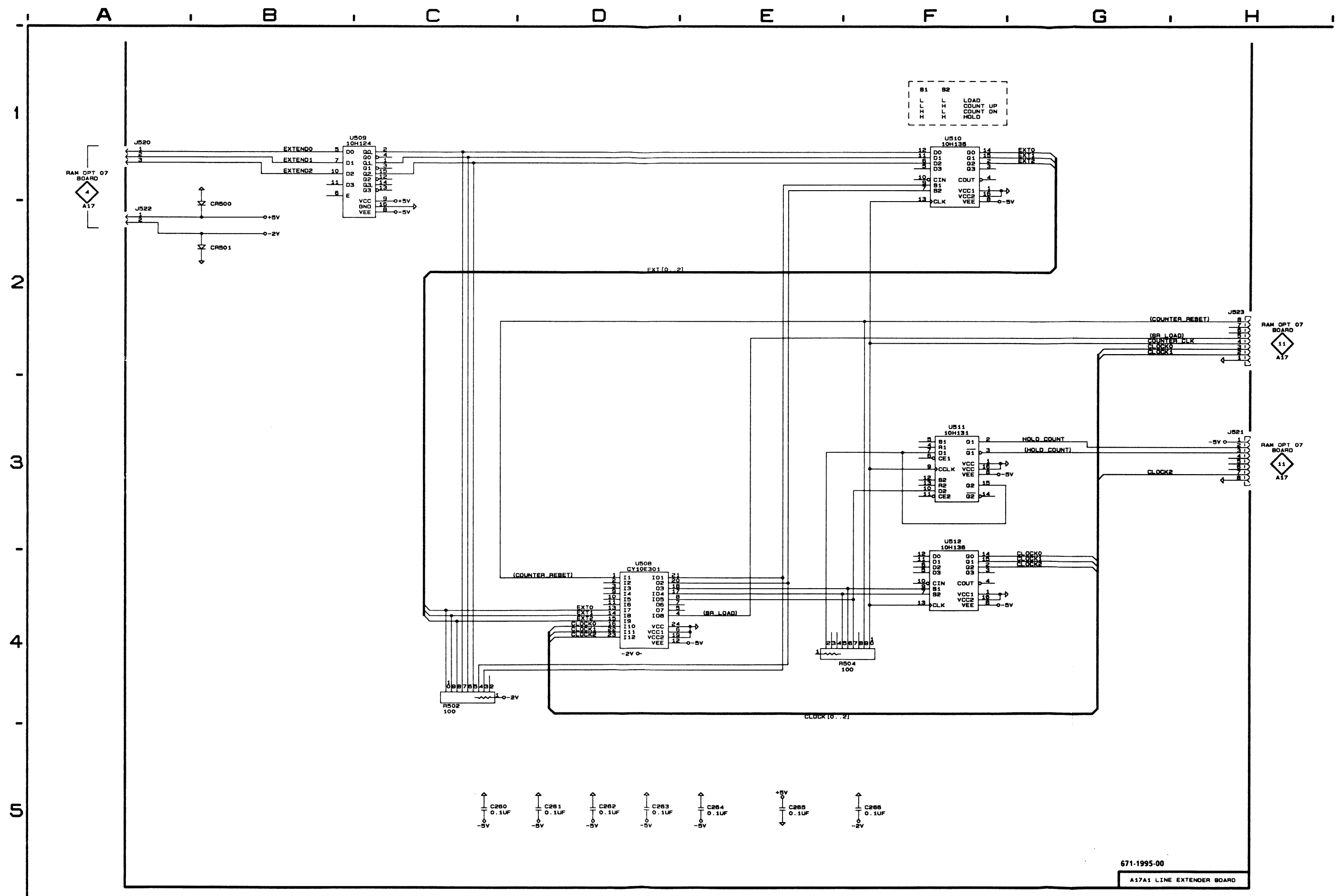
 **Static Sensitive Devices**  
See Maintenance Section

**Schematic Diagram < 1 > Look-up Chart  
LINE EXTENDER Board**

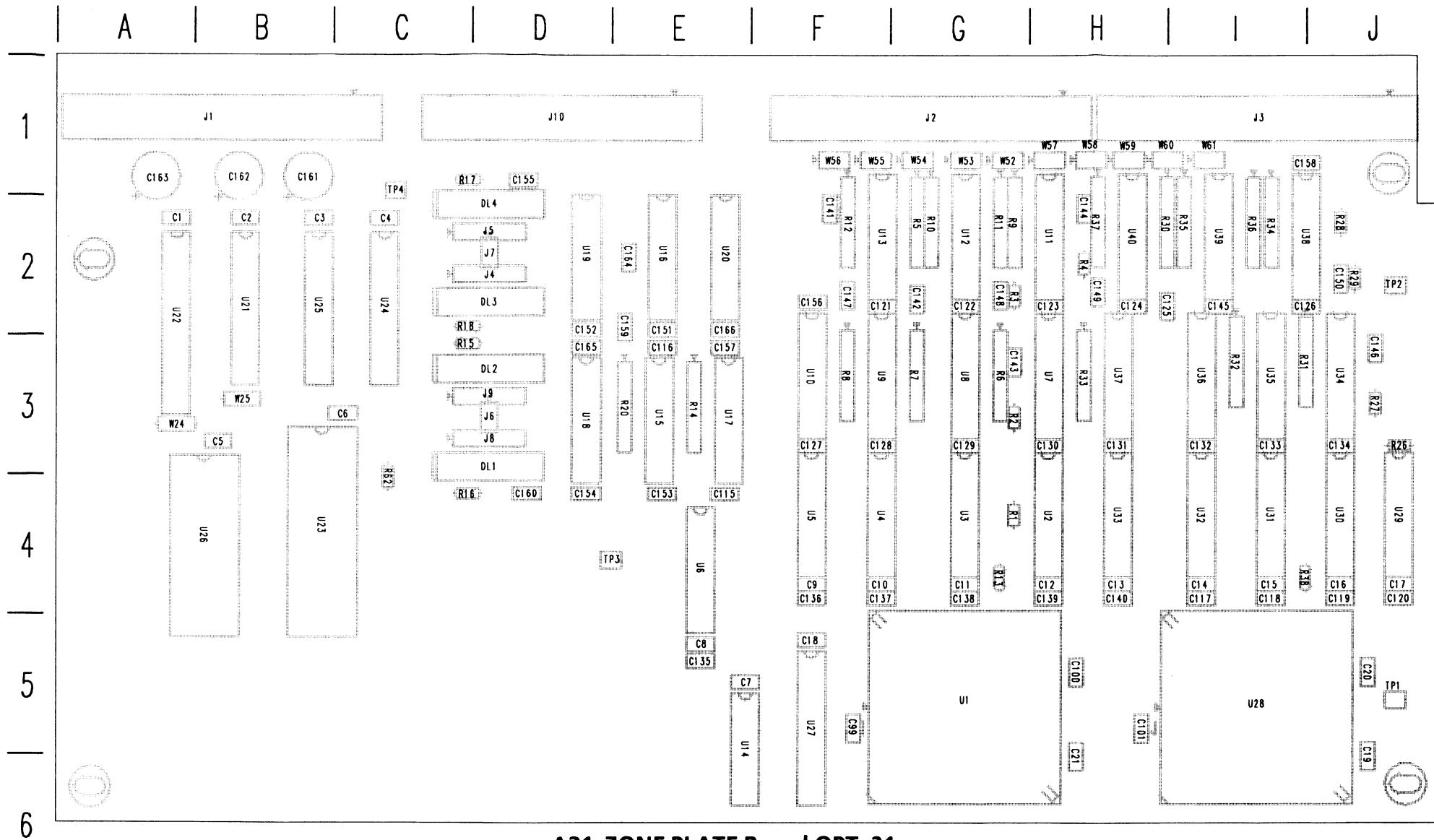
The schematic diagram has an alpha-numeric grid to assist in locating parts within that diagram. The etched circuit boards follow a numbering sequence starting with the lowest number at the upper left corner, as pictured in this manual.

**ASSEMBLY A17A1**

CIRCUIT NUMBER	SCHEM LOCATION	BOARD LOCATION
C260	C5	A2
C261	D5	D2
C262	D5	A1
C263	D5	D1
C264	E5	C2
C265	E5	A1
C266	F5	B1
CR500	B2	B1
CR501	B2	B1
J520	A1	A1
J521	H3	D1
J522	A2	A1
J523	H2	D1
R502	C4	D2
R504	E4	E1
U508	D4	D2
U509	B1	B1
U510	F1	B2
U511	F3	E1
U512	F4	E2







A31 ZONE PLATE Board OPT. 21

**Schematic Diagram <1> Look-up Chart  
ZONE PLATE Board**

The schematic diagram has an alpha-numeric grid to assist in locating parts within that diagram. The etched circuit boards follow a numbering sequence starting with the lowest number at the upper left corner, as pictured in this manual.

**ASSEMBLY A31** Partial A31 also shown on diagrams 2 and 3.

CIRCUIT NUMBER	SCHEM LOCATION	BOARD LOCATION
C164	G2	E2
C165	G3	D3
C166	G4	E3
DL1	C3	C3
DL2	C2	C3
DL3	D2	C2
DL4	D1	C2
J4	D1	C2
J5	D1	C2
J6	C2	C3
J7	D1	C2
J8	C2	C3
J9	C2	C3
J10	A3	E1
R14A	E2	E3
R14B	D3	E3
R14C	D3	E3
R14D	G4	E3
R14E	F2	E3
R15	C2	C3
R16	C2	C4
R17	D1	C1
R18	D2	C2
R20A	E2	D3
R20B	B1	D3
R20C	B1	D3
R20D	B2	D3
R20E	B2	D3
R62	D4	C3
U15A	D2	E3
U15B	D2	E3
U15C	D3	E3
U16A	G2	E2
U16B	G2	E2
U17	F2	E3
U18A	B2	D3
U18B	D2	D3
U18C	C1	D3
U19A	D1	D2
U19B	G3	D2
U19C	G3	D2
U20A	G3	E2
U20B	G3	E2
U21	B4	B2
U22	D5	A2
U23	D4	B3
U24	B3	C2
U25	B4	B2
U26	D3	A3
U27	E4	F5
W24	D5	A3
W25	D5	B3

A B C D E F G H

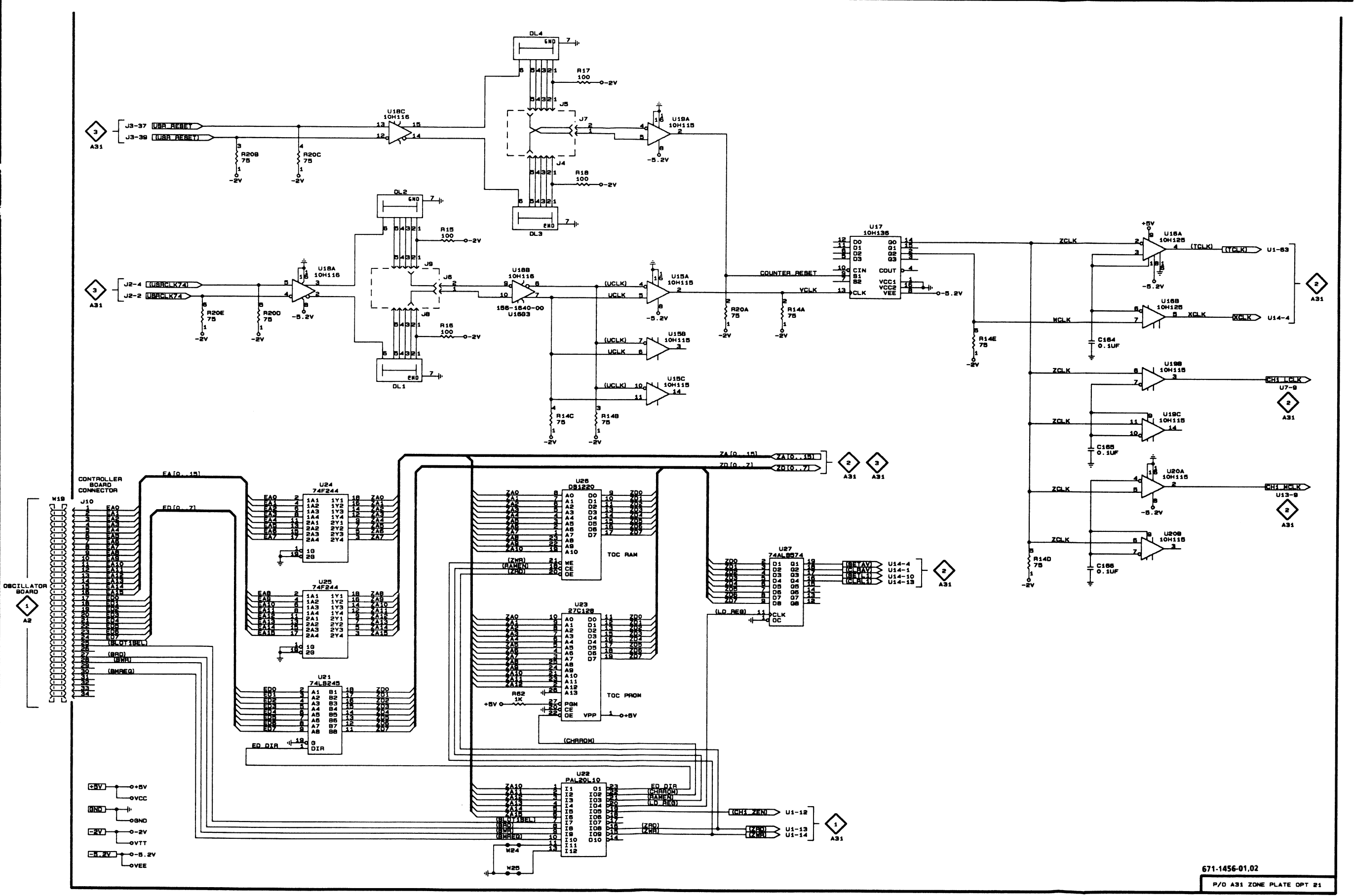
1

2

3

4

5



## Schematic Diagram <2> Look-up Chart ZONE PLATE Board

The schematic diagram has an alpha-numeric grid to assist in locating parts within that diagram. The etched circuit boards follow a numbering sequence starting with the lowest number at the upper left corner, as pictured in this manual.

**ASSEMBLY A31** *Partial A31 also shown on diagrams 1 and 3.*

CIRCUIT NUMBER	SCHEM LOCATION	BOARD LOCATION
R1	D1	G4
R2	E4	G3
R3	F4	G2
R4	F4	H2
R5	G4	G1
R6	F4	G2
R7	F4	G3
R8	F4	F2
R9	G4	G1
R10	G4	G2
R11	G5	G1
R12	G5	F1
R13	B2	G4
U1	C1	F5
U2	D1	G3
U3	D2	G3
U4	D3	F3
U5	D3	F3
U6	D4	E4
U7	F1	G2
U8	F2	G2
U9	F3	F2
U10	F3	F2
U11	G3	G1
U12	G2	G1
U13	G1	F1
U14	C3	E5

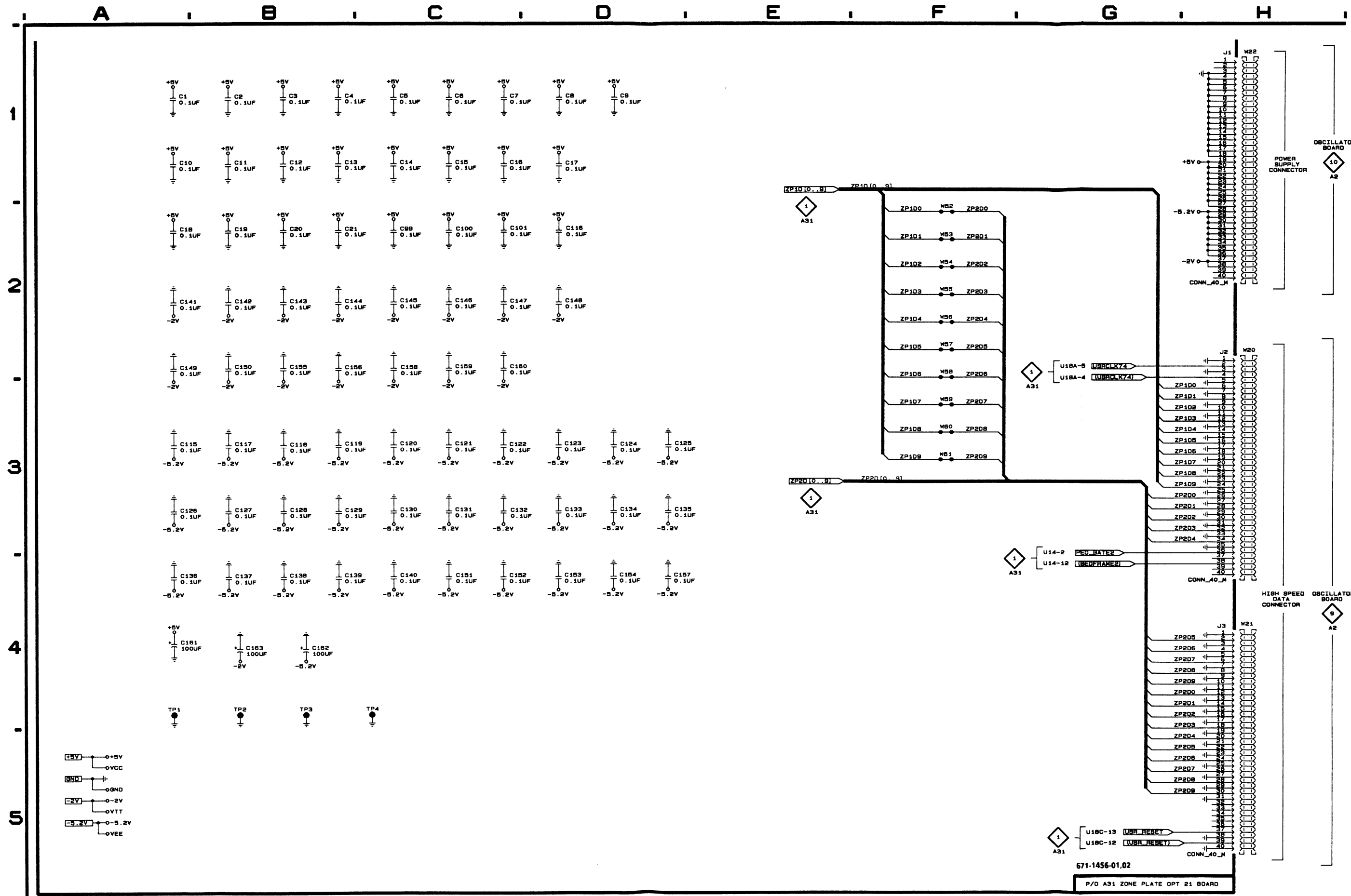


### Schematic Diagram <3> Look-up Chart ZONE PLATE Board

The schematic diagram has an alpha-numeric grid to assist in locating parts within that diagram. The etched circuit boards follow a numbering sequence starting with the lowest number at the upper left corner, as pictured in this manual.

**ASSEMBLY A31** *Partial A31 also shown on diagrams 1 and 2.*

CIRCUIT NUMBER	SCHEM LOCATION	BOARD LOCATION	CIRCUIT NUMBER	SCHEM LOCATION	BOARD LOCATION
C1	A1	A2	C138	B4	G4
C2	B1	B2	C139	B4	H4
C3	B1	B2	C140	C4	H4
C4	B1	C2	C141	A2	F2
C5	C1	B3	C142	B2	G2
C6	C1	C3	C143	B2	G3
C7	C1	E5	C144	B2	H2
C8	D1	E5	C145	C2	I2
C9	D1	F4	C146	C2	J3
C10	A1	F4	C147	C2	F2
C11	B1	G4	C148	D2	G2
C12	B1	H4	C149	A2	H2
C13	B1	H4	C150	B2	J2
C14	C1	I4	C151	C4	E3
C15	C1	I4	C152	C4	D3
C16	C1	J4	C153	D4	E4
C17	D1	J4	C154	D4	D4
C18	A2	F5	C155	B2	D1
C19	B2	J5	C156	B2	F2
C20	B2	J5	C157	D4	E3
C21	B2	H5	C158	C2	I1
C99	C2	F5	C159	C2	E2
C100	C2	H5	C160	C2	D4
C101	C2	H5	C161	A4	B1
C115	A3	E4	C162	B4	B1
C116	D2	E3	C163	B4	A1
C117	B3	I4			
C118	B3	I4	J1	H1	C1
C119	B3	J4	J2	H2	H1
C120	C3	J4	J3	H4	J1
C121	C3	F2			
C122	C3	G2	TP1	A4	J5
C123	D3	H2	TP2	B4	J2
C124	D3	H2	TP3	B4	D4
C125	D3	H2	TP4	C4	C1
C126	A3	I2			
C127	B3	F3	W52	F2	G1
C128	B3	F3	W53	F2	G1
C129	B3	G3	W54	F2	G1
C130	C3	H3	W55	F2	F1
C131	C3	H3	W56	F2	F1
C132	C3	I3	W57	F2	H1
C133	D3	I3	W58	F2	H1
C134	D3	J3	W59	F3	H1
C135	D3	E5	W60	F3	H1
C136	A4	F4	W61	F3	I1



# REPLACEABLE MECHANICAL PARTS LIST

## PARTS ORDERING INFORMATION

Replacement parts are available from or through your local Tektronix, Inc., field office or representative.

Changes to Tektronix instruments are sometimes made to accommodate improved components as they become available, and to give you the benefit of the latest circuit improvements developed in our engineering department. It is therefore important, when ordering parts, to include the following information in your order: Part number, instrument type or number, serial number, and modification number, if applicable.

If a part you have ordered has been replaced with a new or improved part, your local Tektronix, Inc., field office or representative will contact you concerning any change in part number.

Change information, if any, is located at the rear of this manual.

## ITEM NAME

In the Parts List, an Item Name is separated from the description by a colon (:). Because of space limitations, an Item Name may sometimes appear as incomplete. For further Item Name identification, the U.S. Federal Cataloging Handbook H6-1 can be utilized where possible.

## FIGURE AND INDEX NUMBERS

Items in this section are referenced by figure and index numbers to the illustrations.

## INDENTATION SYSTEM

This Mechanical Parts List is indented to indicate item relationships. Following is an example of the indentation system used in the description column.

- 1 2 3 4 5 Name & Description**
- Assembly and/or Component
- Mounting parts for Assembly and/or Component
- \*MOUNTING PARTS\*/\*END MOUNTING PARTS\***
- Detail Part of Assembly and/or Component
- Mounting parts for Detail Part
- \*MOUNTING PARTS\*/\*END MOUNTING PARTS\***
- Parts of Detail Part
- Mounting parts for Parts of Detail Part
- \*MOUNTING PARTS\*/\*END MOUNTING PARTS\***

Mounting Parts always appear in the same indentation as the item it mounts, while the detail parts are indented to the right. Indented items are part of and included with, the next higher indentation.

**Mounting parts must be purchased separately, unless otherwise specified.**

## ABBREVIATIONS

"	INCH	ELCTRN	ELECTRON	IN	INCH	SE	SINGLE END
#	NUMBER SIZE	ELEC	ELECTRICAL	INCAND	INCANDESCENT	SECT	SECTION
ACTR	ACTUATOR	ELCTLT	ELECTROLYTIC	INSUL	INSULATOR	SEMICOND	SEMICONDUCTOR
ADPTR	ADAPTER	ELEM	ELEMENT	INTL	INTERNAL	SHLD	SHIELD
ALIGN	ALIGNMENT	EPL	ELECTRICAL PARTS LIST	LPHLDR	LAMPHOLDER	SHLDR	SHOULDERED
AL	ALUMINUM	EQPT	EQUIPMENT	MACH	MACHINE	SKT	SOCKET
ASSEM	ASSEMBLED	EXT	EXTERNAL	MECH	MECHANICAL	SL	SLIDE
ASSY	ASSEMBLY	FIL	FILLISTER HEAD	MTG	MOUNTING	SLFLKG	SELF-LOCKING
ATTEN	ATTENUATOR	FLEX	FLEXIBLE	NIP	NIPPLE	SLVG	SLEEVEING
AWG	AMERICAN WIRE GAGE	FLH	FLAT HEAD	NONWIRE	NOT WIRE WOUND	SPR	SPRING
BD	BOARD	FLTR	FILTER	OBD	ORDER BY DESCRIPTION	SQ	SQUARE
BRKT	BRACKET	FR	FRAME or FRONT	OD	OUTSIDE DIAMETER	SST	STAINLESS STEEL
BRS	BRASS	FSTNR	FASTENER	OVH	OVAL HEAD	STL	STEEL
BRZ	BRONZE	FT	FOOT	PH BRZ	PHOSPHOR BRONZE	SW	SWITCH
BSHG	BUSHING	FXD	FIXED	PL	PLAIN or PLATE	T	TUBE
CAB	CABINET	GSKT	GASKET	PLSTC	PLASTIC	TERM	TERMINAL
CAP	CAPACITOR	HDL	HANDLE	PN	PART NUMBER	THD	THREAD
CER	CERAMIC	HEX	HEXAGON	PNH	PAN HEAD	THK	THICK
CHAS	CHASSIS	HEX HD	HEXAGONAL HEAD	PWR	POWER	TNSN	TENSION
CKT	CIRCUIT	HEX SOC	HEXAGONAL SOCKET	RCPT	RECEPTACLE	TPG	TAPPING
COMP	COMPOSITION	HLCPS	HELICAL COMPRESSION	RES	RESISTOR	TRH	TRUSS HEAD
CONN	CONNECTOR	HLEXT	HELICAL EXTENSION	RGD	RIGID	V	VOLTAGE
COV	COVER	HV	HIGH VOLTAGE	RLF	RELIEF	VAR	VARIABLE
CPLG	COUPLING	IC	INTEGRATED CIRCUIT	RTNR	RETAINER	W/	WITH
CRT	CATHODE RAY TUBE	ID	INSIDE DIAMETER	SCH	SOCKET HEAD	WSHR	WASHER
DEG	DEGREE	IDENT	IDENTIFICATION	SCOPE	OSCILLOSCOPE	XFMR	TRANSFORMER
DWR	DRAWER	IMPLR	IMPELLER	SCR	SCREW	XSTR	TRANSISTOR

CROSS INDEX - MFR. CODE NUMBER TO MANUFACTURER

Mfr. Code	Manufacturer	Address	City, State, Zip Code
06666	GENERAL DEVICES CO INC	1410 S POST RD PO BOX 39100	INDIANAPOLIS IN 46239-9632
06915	RICHCO PLASTIC CO	5825 N TRIPP AVE	CHICAGO IL 60646-6013
09422	PLASTIC STAMPING CORP	2216 W ARMITAGE AVE	CHICAGO IL 60647-4461
23050	PRODUCT COMPONENTS CORP	30 LORRAINE AVE	MT VERNON NY 10553-1222
24931	SPECIALTY CONNECTOR CO INC	2100 EARLYWOOD DR PO BOX 547	FRANKLIN IN 46131
77250	ALLIED PRODUCTS CORP PHEOLL MFG CO DIV	5700 W ROOSEVELT RD	CHICAGO IL 60650-1156
78189	ILLINOIS TOOL WORKS INC SHAKEPROOF DIV	ST CHARLES ROAD	ELGIN IL 60120
79136	WALDES KOHINOOR INC	47-16 AUSTEL PLACE	LONG ISLAND CITY NY 11101-4402
80009	TEKTRONIX INC	14150 SW KARL BRAUN DR PO BOX 500	BEAVERTON OR 97077-0001
83385	MICRODOT MFG INC GREER-CENTRAL DIV	3221 W BIG BEAVER RD	TROY MI 48098
83486	ELCO INDUSTRIES INC	1101 SAMUELSON RD	ROCKFORD IL 61101
93907	TEXTRON INC CAMCAR DIV	600 18TH AVE	ROCKFORD IL 61108-5181
95987	BRADY/WECKESSER MFG CO	4444 WEST IRVING PARK RD	CHICAGO IL 60641
TK0435	LEWIS SCREW CO	4300 S RACINE AVE	CHICAGO IL 60609-3320
TK0858	STAUFFER SUPPLY CO (DIST)		

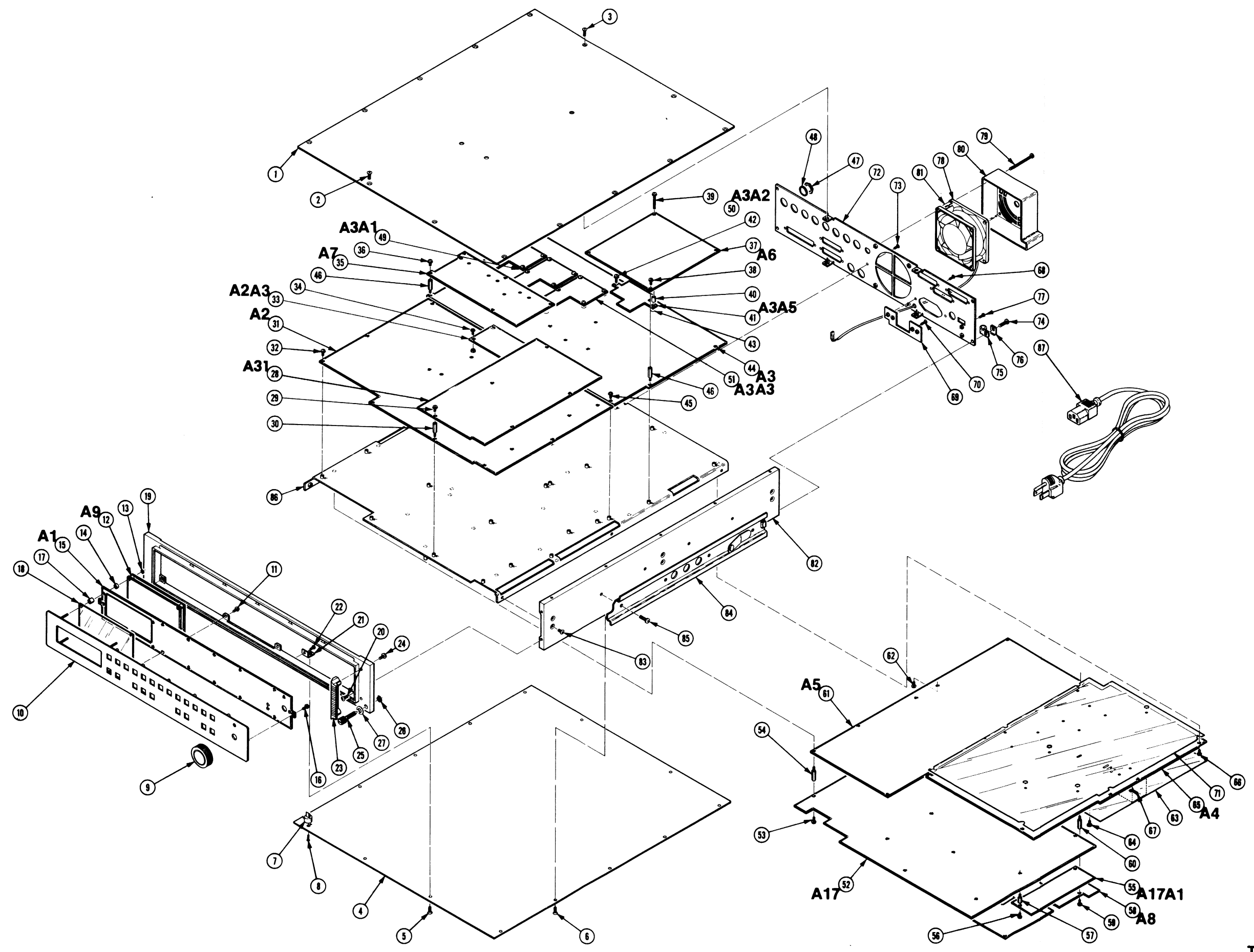


Fig. & Index No.	Tektronix Part No.	Serial/Assembly No. Effective	Discnt	Qty	12345 Name & Description	Mfr. Code	Mfr. Part No.
1-1	200-3930-00	B010100	B010116	1	COVER, TOP: ALUMINUM	80009	200-3930-00
	200-3930-01	B010117		1	COVER, TOP: TSG1001	80009	200-3930-01
					*MOUNTING PARTS*		
-2	211-0101-00			2	SCREW, MACHINE: 4-40 X 0.25, FLH, 100 DEG, STL	93907	ORDER BY DESCR
-3	211-0538-00			12	SCREW, MACHINE: 6-32 X 0.312, FLH, 100 DEG, STL	93907	ORDER BY DESCR
					*END MOUNTING PARTS*		
-4	200-3834-00			1	COVER, BOTTOM: ALUMINUM	80009	200-3834-00
					*MOUNTING PARTS*		
-5	211-0101-00			2	SCREW, MACHINE: 4-40 X 0.25, FLH, 100 DEG, STL	93907	ORDER BY DESCR
-6	211-0538-00			12	SCREW, MACHINE: 6-32 X 0.312, FLH, 100 DEG, STL	93907	ORDER BY DESCR
					*END MOUNTING PARTS*		
-7	214-4388-00			1	CATCH PANEL: POLYCARBONATE	80009	214-4388-00
					*MOUNTING PARTS*		
-8	211-0538-00			1	SCREW, MACHINE: 6-32 X 0.312, FLH, 100 DEG, STL	93907	ORDER BY DESCR
					*END MOUNTING PARTS*		
-9	366-2159-01			1	KNOB: TV GRAY, SCROLL	80009	366-2159-01
	346-0257-00			1	STRAP: BRASS	80009	346-0257-00
					*MOUNTING PARTS*		
	211-0315-00			6	SCR, ASSEM WSHR: 4-40 X 0.437, PNH, STL CD PL	78189	ORDER BY DESCR
					*END MOUNTING PARTS*		
-10	333-3871-00			1	PANEL, FRONT: TSG1001, ALUMINUM	80009	333-3871-00
					*MOUNTING PARTS*		
-11	211-0244-00			6	SCR, ASSEM WSHR: 4-40 X 0.312, PNH STL	TK0858	211-0244-00
					*END MOUNTING PARTS*		
-12	-----			1	DISPLAY, ELEC: VACUUM FLORESCENT (SEE A9 REPL)		
					*MOUNTING PARTS*		
-13	210-0586-00			4	NUT, PL, ASSEM WA: 4-40 X 0.25, STL CD PL	78189	211-041800-00
					*END MOUNTING PARTS*		
-14	361-1566-00			4	SPACER, SLEEVE: 0.110 L X 0.125 ID X 0.300 OD , PLASTIC	80009	361-1566-00
-15	-----			1	CIRCUIT BD ASSY: FRONT PANEL (SEE A1 REPL)		
					*MOUNTING PARTS*		
-16	211-0244-00			6	SCR, ASSEM WSHR: 4-40 X 0.312, PNH STL	TK0858	211-0244-00
					*END MOUNTING PARTS*		
-17	361-1565-00			4	SPACER, SLEEVE: 0.265 L X 0.125 ID X 0.300 OD , PLASTIC	80009	361-1565-00
-18	378-0382-00			1	FILTER ASSY: CRT, GREEN W/FOAM STRIPS	80009	378-0382-00
-19	426-2395-00			1	FRAME, FRONT: ALUMINUM	80009	426-2395-00
					*MOUNTING PARTS*		
-20	212-0070-00			4	SCREW, MACHINE: 8-32 X 0.312, FLH, 100 DEG, STL	TK0435	ORDER BY DESCR
					*END MOUNTING PARTS*		
-21	407-4018-00			4	BRACKET, ANGLE: ALUMINUM	80009	407-4018-00
					*MOUNTING PARTS*		
-22	211-0007-00			4	SCREW, MACHINE: 4-40 X 0.188, PNH, STL	93907	ORDER BY DESCR
					*END MOUNTING PARTS*		
-23	367-0422-00			2	HANDLE, BOW: PLASTIC	80009	367-0422-00
					*MOUNTING PARTS*		
-24	211-0658-00			4	SCR, ASSEM WSHR: 6-32 X 0.312, PNH, STL, POZ	78189	S51-060545-0X
					*END MOUNTING PARTS*		
-25	213-0216-00			1	THUMBSCREW: 10-32 X 0.85, 0.375 OD HD, SST	80009	213-0216-00
					*MOUNTING PARTS*		
-26	354-0025-00			1	RING, RETAINING: EXTERNAL, U/O 0.187 DIA SFT	79136	5555-18
					*END MOUNTING PARTS*		
-27	210-0894-00			1	WASHER, FLAT: 0.19 ID X 0.438 OD X 0.031	09422	ORDER BY DESCR
-28	-----			1	CIRCUIT BD ASSY: ZONE PLATE (SEE A31 REPL, OPTION 21 ONLY)		
					*MOUNTING PARTS*		
-29	211-0244-00			5	SCR, ASSEM WSHR: 4-40 X 0.312, PNH STL (OPTION 21 ONLY)	TK0858	211-0244-00
-30	129-1349-00			5	SPACER, POST: 0.62 L X 4-40 X 0.25 INT THD & 4-40 X 0.2 EXT THD, STUDD. 25 HEX (OPTION 21 ONLY)	80009	129-1349-00
					*END MOUNTING PARTS*		
-31	-----			1	CIRCUIT BD ASSY: OSCILLATOR (SEE A2 REPL)		
					*MOUNTING PARTS*		

TSG 1001 - REPLACEABLE MECHANICAL PARTS LIST

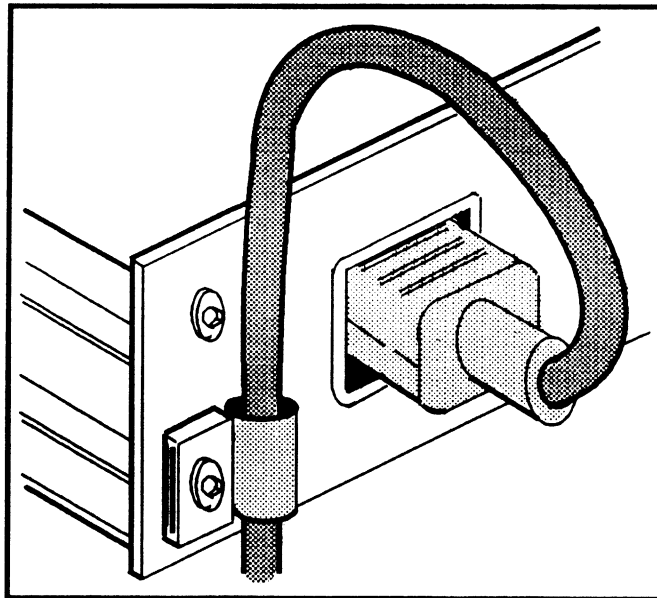
Fig. & Index No.	Tektronix Part No.	Serial/Assembly No.		Qty	12345 Name & Description	Mfr.	
		Effective	Discont			Code	Mfr. Part No.
1-32	211-0244-00			14	SCR,ASSEM WSHR:4-40 X 0.312,PNH STL (STANDARD ONLY)	TK0858	211-0244-00
	211-0244-00			9	SCR,ASSEM WSHR:4-40 X 0.312,PNH STL (WITH OPTION ONLY) *END MOUNTING PARTS*	TK0858	211-0244-00
-33	-----			1	CIRCUIT BD ASSY:SAW FILTER (SEE A2A3 REPL) *MOUNTING PARTS*		
-34	211-0244-00			4	SCR,ASSEM WSHR:4-40 X 0.312,PNH STL *END MOUNTING PARTS*	TK0858	211-0244-00
-35	-----			1	CIRCUIT BD ASSY:PEDESTAL (SEE A7 REPL) *MOUNTING PARTS*		
-36	211-0244-00			5	SCR,ASSEM WSHR:4-40 X 0.312,PNH STL *END MOUNTING PARTS*	TK0858	211-0244-00
-37	-----			1	CIRCUIT BD ASSY:DIGITAL OUTPUT (SEE A6 REPL) *MOUNTING PARTS*		
-38	211-0244-00			3	SCR,ASSEM WSHR:4-40 X 0.312,PNH STL	TK0858	211-0244-00
-39	211-0145-00			1	SCR,ASSEM WSHR:4-40 X 1.0,BRS,NP,POZ	TK0435	8565-430
-40	361-0917-00			1	SPACER,SLEEVE:0.25 L X 0.141 ID,ALUMINUM *END MOUNTING PARTS*	80009	361-0917-00
-41	-----			1	CIRCUIT BD ASSY:FOSC (SEE A3A5 REPL) *MOUNTING PARTS*		
-42	211-0152-00			1	SCR,ASSEM WSHR:4-40 X 0.625,PNH,BRS,NP,POZ	78189	ORDER BY DESC
-43	361-0917-00			2	SPACER,SLEEVE:0.25 L X 0.141 ID,ALUMINUM *END MOUNTING PARTS*	80009	361-0917-00
-44	-----			1	CIRCUIT BD ASSY:OUTPUT (SEE A3 REPL) *MOUNTING PARTS*		
-45	211-0244-00			4	SCR,ASSEM WSHR:4-40 X 0.312,PNH STL	TK0858	211-0244-00
-46	129-1349-00			8	SPACER,POST:0.62 L X 4-40 X 0.25 INT THD & 4-40 X 0.2 EXT THD,STUDO.25 HEX	80009	129-1349-00
-47	220-0497-00			8	NUT,PLAIN,HEX:0.5-28 X 0.562 HEX,BRS CD PL	80009	220-0497-00
-48	210-1039-00			8	WASHER,LOCK:0.521 ID,INT,0.025 THK,SST *END MOUNTING PARTS*	24931	ORDER BY DESC
-49	-----			1	CIRCUIT BD ASSY:FILTER (SEE A3A1 REPL)		
-50	-----			1	CIRCUIT BD ASSY:FILTER (SEE A3A2 REPL)		
-51	-----			1	CIRCUIT BD ASSY:FILTER (SEE A3A3 REPL)		
-52	-----			1	CIRCUIT BD ASSY:RAM (SEE A17 REPL,OPTION 07 ONLY) *MOUNTING PARTS*		
-53	211-0244-00			7	SCR,ASSEM WSHR:4-40 X 0.312,PNH STL (OPTION 07 ONLY)	TK0858	211-0244-00
-54	129-1349-00			9	SPACER,POST:0.62 L X 4-40 X 0.25 INT THD & 4-40 X 0.2 EXT THD,STUDO.25 HEX (OPTION 07 ONLY) *END MOUNTING PARTS*	80009	129-1349-00
-55	-----			1	CIRCUIT BD ASSY:LINE EXTENDER (SEE A17A1 REPL) *MOUNTING PARTS*		
-56	211-0244-00			2	SCR,ASSEM WSHR:4-40 X 0.312,PNH STL	TK0858	211-0244-00
-57	129-0338-00			2	SPACER,POST:0.64 L,4-40 TAP/STUD,BRS,CU SN ZN PL,0.188 HEX *END MOUNTING PARTS*	80009	129-0338-00
-58	-----			1	CIRCUIT BD ASSY:CLOCK INPUT (SEE A8 REPL) *MOUNTING PARTS*		
-59	211-0244-00			4	SCR,ASSEM WSHR:4-40 X 0.312,PNH STL	TK0858	211-0244-00
-60	129-1349-00			4	SPACER,POST:0.62 L X 4-40 X 0.25 INT THD & 4-40 X 0.2 EXT THD,STUDO.25 HEX *END MOUNTING PARTS*	80009	129-1349-00
-61	-----			1	CIRCUIT BD ASSY:CONTROLLER (SEE A5 REPL)		

Fig. & Index No.	Tektronix Part No.	Serial/Assembly No. Effective Dscort	Qty	12345 Name & Description	Mfr. Code	Mfr. Part No.
1-				*MOUNTING PARTS*		
-62	211-0244-00		7	SCR,ASSEM WSHR:4-40 X 0.312,PNH STL (STANDARD ONLY)	TK0858	211-0244-00
	211-0244-00		2	SCR,ASSEM WSHR:4-40 X 0.312,PNH STL (WITH OPTION ONLY)	TK0858	211-0244-00
-63	337-3701-00		1	SHIELD,ELEC:POWER SUPPLY,LEXAN	80009	337-3701-00
				*MOUNTING PARTS*		
-64	211-0213-00		2	SCREW,MACHINE:4-40 X 0.312,PNH,NYL	23050	ORDER BY DESCR
				*END MOUNTING PARTS*		
-65	-----		1	CIRCUIT BD ASSY:POWER SUPPLY (SEE A4 REPL)		
				*MOUNTING PARTS*		
-66	211-0244-00		10	SCR,ASSEM WSHR:4-40 X 0.312,PNH STL (STANDARD ONLY)	TK0858	211-0244-00
	211-0244-00		7	SCR,ASSEM WSHR:4-40 X 0.312,PNH STL (WITH OPTION ONLY)	TK0858	211-0244-00
-67	211-0511-00		1	SCREW,MACHINE:6-32 X 0.5,PNH,STL	TK0435	ORDER BY DESCR
-68	211-0101-00		2	SCREW,MACHINE:4-40 X 0.25,FLH,100 DEG,STL	93907	ORDER BY DESCR
				*END MOUNTING PARTS*		
-69	407-3962-00		1	BRACKET,COMP:ALUMINUM	80009	407-3962-00
				*MOUNTING PARTS*		
-70	211-0101-00		2	SCREW,MACHINE:4-40 X 0.25,FLH,100 DEG,STL	93907	ORDER BY DESCR
				*END MOUNTING PARTS*		
-71	337-3718-00		1	SHIELD,ELEC:BOTTOM	80009	337-3718-00
-72	333-3839-00		1	PANEL,REAR:TSG1050	80009	333-3839-00
				*MOUNTING PARTS*		
-73	211-0541-00		1	SCREW,MACHINE:6-32 X 0.25,FLH,100 DEG,STL	93907	ORDER BY DESCR
-74	212-0001-00		3	SCREW,MACHINE:8-32 X 0.25,PNH,STL	77250	ORDER BY DESCR
	212-0142-00		1	SCREW,MACHINE:8-32 X 0.437,PNH STL	83486	ORDER BY DESCR
				*END MOUNTING PARTS*		
-75	343-0003-00		1	CLAMP,LOOP:0.25 ID,PLASTIC	06915	E4 CLEAR ROUND
-76	210-0863-00		1	WSHR,LOOP CLAMP:0.091 ID U/W 0.5 W CLP,STL CD PL	95987	C191
-77	211-0177-00		1	SCREW,MACHINE:4-40 X 0.312,PNH,STL	TK0435	ORDER BY DESCR
-78	-----		1	FAN TUBEAXIAL: (SEE B100 REPL)		
				*MOUNTING PARTS*		
-79	211-0530-00		4	SCREW,MACHINE:6-32 X 1.750,PNH,STL	83385	ORDER BY DESCR
				*END MOUNTING PARTS*		
-80	337-3702-00		1	SHIELD,ELEC:FAN,PLASTIC	80009	337-3702-00
	337-3753-00		1	SHIELD,ELEC:FAN,BLACK,ABS	80009	337-3753-00
	337-3753-00	B010104	1	SHIELD,ELEC:FAN,BLACK,ABS	80009	337-3753-00
-81	361-1586-00		4	SPACER,SLEEVE:FAN MOUNTING,PAPST	80009	361-1586-00
-82	426-2394-00		2	FRAME,SECTION:ALUMINUM	80009	426-2394-00
				*MOUNTING PARTS*		
-83	211-0538-00		6	SCREW,MACHINE:6-32 X 0.312,FLH,100 DEG,STL	93907	ORDER BY DESCR
				*END MOUNTING PARTS*		
-84	351-0104-03		1	SL SECT,DWR EXT:12.625 L,W/O HARDWARE	06666	C-720-3
				*MOUNTING PARTS*		
-85	212-0001-00		8	SCREW,MACHINE:8-32 X 0.25,PNH,STL	77250	ORDER BY DESCR
				*END MOUNTING PARTS*		
-86	386-6072-00		1	PLATE,CKT BD MT:TSG1050	80009	386-6072-00
				STANDARD ACCESSORIES		
-87	161-0066-00		1	CABLE ASSY,PWR,:3,18AWG,115V,98.0 L	80009	161-0066-00
	351-0636-00		1	SLIDE,DWR,EXT:20.0 X 1.69,PAIR,R&L	80009	351-0636-00
	061-3810-00		1	MANUAL,TECH:INTERIM	80009	061-3810-00
	119-2321-04		1	OVEN ASSEMBLY:TSG170A	80009	119-2321-04
	174-2344-00		1	CABLE ASSY:RS232,;121.0 L,25 CONDUCTOR,BD25 MALE X BD25 FEMALE,ONE TO ONE;, ,	80009	174-2344-00



**DESCRIPTION****TEXT and MECHANICAL PARTS LIST CORRECTION****SECTION 2 INSTALLATION, ADD:**

Place the loop clamp around the power cord and plug the cord into the instrument. Remove the rear-panel screw at the extreme left of the line filter, and use the screw supplied in the accessory kit to mount the loop clamp and washer there. See Fig. 2-1. This ensures that the instrument is not accidentally unplugged when sliding it out of the rack.



**Fig. 2-1. Mounting the power cord.**

**MECHANICAL PARTS LIST, STANDARD ACCESSORIES, ADD:**

1	212-0142-00	SCREW, MACHINE: 8-32 X 0.437, PNH STL CD PL, POZ
---	-------------	--



Date: 8/15/90

Change Reference: C1/890

Product: TSG 1001

Manual Part No: 061-3810-00

**DESCRIPTION**

ECN - 1 thru 16

PILOT changes - 7 thru 10

**TEXT AND SCHEMATIC CHANGES**

**TEXT**

**CHANGED TO READ:**

Page 4-1, **Section 4**, 2nd paragraph

By replacing the **Oven assemblies** in oscillators 1 and 2 you can use formats other than those listed in Table 1-1.

2nd heading and 2nd sentence

**Replacing oven assemblies**

Replace the **Oven assemblies** in oscillator 1 or 2 as follows.

Pages 4-3 and 4-4, **Section 4**

**DELETE:**

Steps 5 through 8 and Figures 4-4 and 4-5

Re-number the remaining steps after changing step 9.

**CHANGED TO READ:**

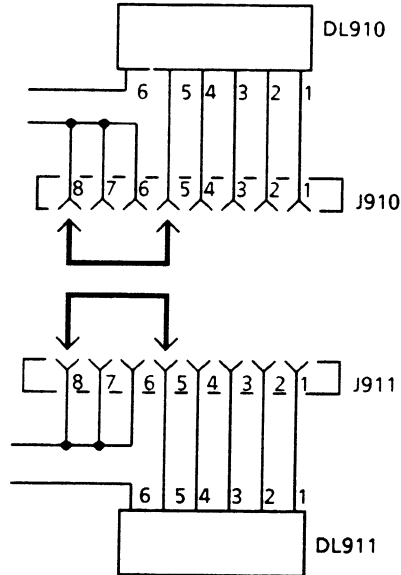
Page 4-4, **Section 4**

9. Plug the oscillator case onto the board.

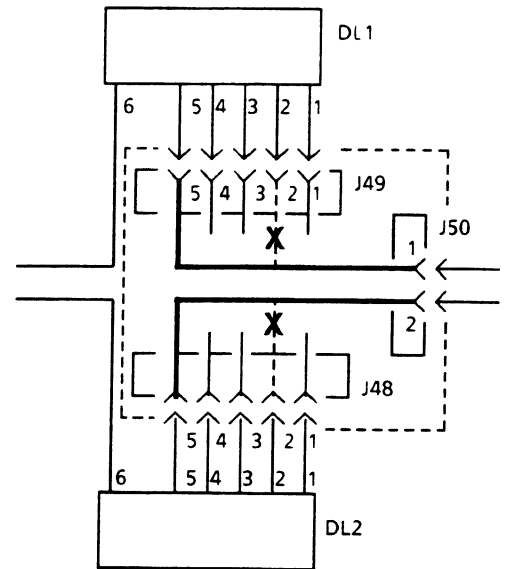




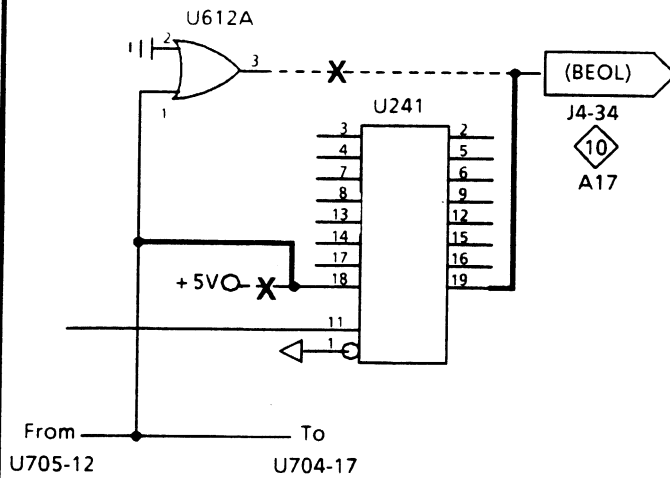
**Schematic 8 - A2  
Oscillator bd**



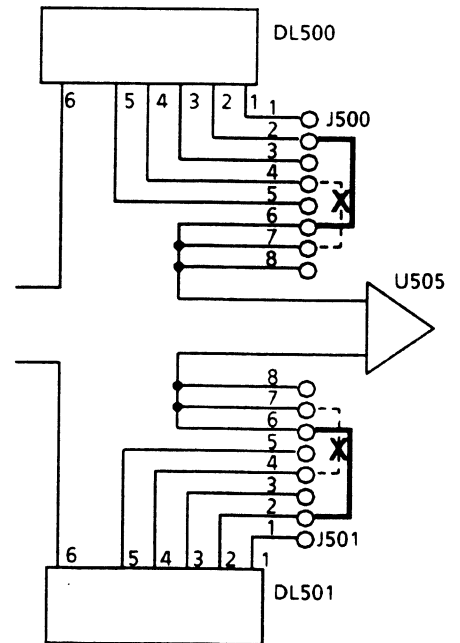
**Schematic 1 - A6  
Digital Output bd**



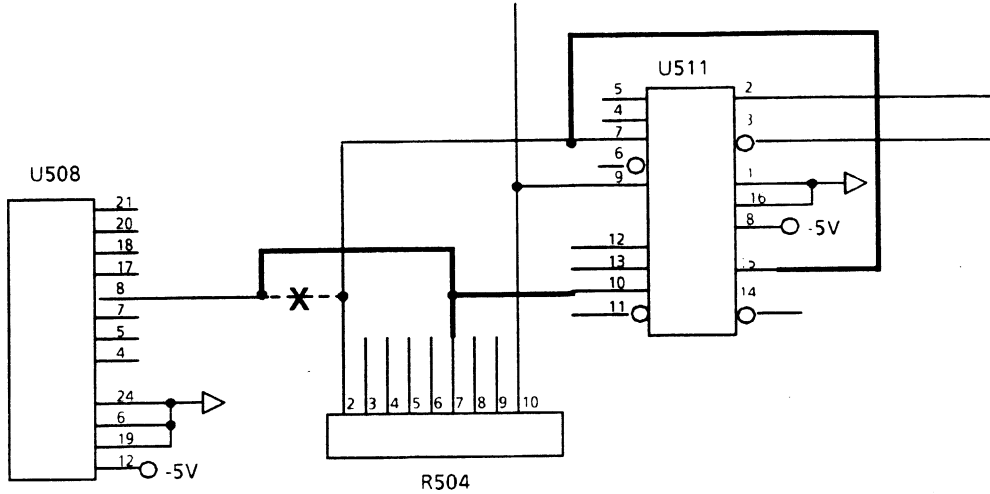
**Schematic 4 - A17  
RAM Opt 07 bd**



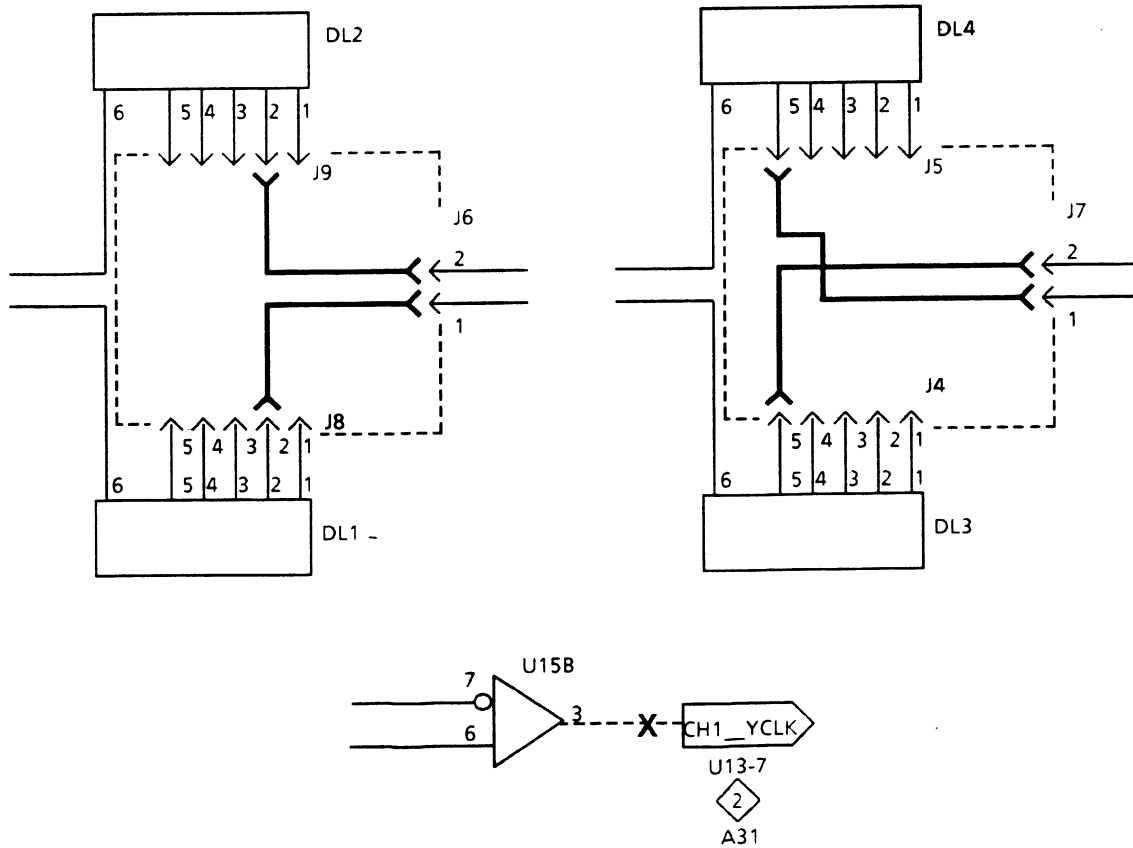
**Schematic 11 - A17  
RAM Opt 07 bd**



**Schematic 1 - A17A1  
Line Extender bd**



**Schematic 1 - A31  
Zone plate bd**



Date: 10/25/90 Change Reference: M74019

Product: See List

Manual Part No: See List

**DESCRIPTION**

<u>Inst.</u>	<u>Manual P/N</u>	<u>Eff S/N</u>
TSG1050	061-3718-00	B010102
TSG1001	061-3810-00	B010140
TSG1125	061-3629-00	B010148
TSG1250	061-3719-00	B010109

**ELECTRICAL PARTS LIST and SCHEMATIC CHANGES**

In the TSG1001 and TSG1125

**CHANGE TO READ:**

A3	671-1789-04	CKT BD ASSY: OUTPUT BOARD
A3C361	283-0784-00	CAP,FXD,MICA DI:40 PF,2%,500V

In the TSG1050 and TSG1250

**CHANGE TO READ:**

A3	671-0910-03	CKT BD ASSY: OUTPUT BOARD
A3C361	283-0784-00	CAP,FXD,MICA DI:40 PF,2%,500V

Date: 12/17/90 Change Reference: M74401

Product: See List

Manual Part No: See List

**DESCRIPTION**

<u>INST</u>	<u>EFF S/N</u>	<u>MANUAL P/N</u>
TSG1001	B010171	061-3810-00
TSG1050	B010108	061-3718-00
TSG1125	B010164	061-3629-00
TSG1250	B010115	061-3719-00

**ELECTRICAL PARTS LIST CHANGES**

**CHANGE TO READ:**

			Located on A17 Schematic
A17U100	156-3571-00	IC, MEMORY: CMOS, SRAM, 32K X 8, 70NS	6
A17U101	156-3571-00	IC, MEMORY: CMOS, SRAM, 32K X 8, 70NS	6
A17U102	156-3571-00	IC, MEMORY: CMOS, SRAM, 32K X 8, 70NS	6
A17U103	156-3571-00	IC, MEMORY: CMOS, SRAM, 32K X 8, 70NS	6
A17U104	156-3571-00	IC, MEMORY: CMOS, SRAM, 32K X 8, 70NS	6
A17U105	156-3571-00	IC, MEMORY: CMOS, SRAM, 32K X 8, 70NS	5
A17U106	156-3571-00	IC, MEMORY: CMOS, SRAM, 32K X 8, 70NS	5
A17U107	156-3571-00	IC, MEMORY: CMOS, SRAM, 32K X 8, 70NS	5
A17U108	156-3571-00	IC, MEMORY: CMOS, SRAM, 32K X 8, 70NS	5
A17U109	156-3571-00	IC, MEMORY: CMOS, SRAM, 32K X 8, 70NS	5
A17U200	156-3571-00	IC, MEMORY: CMOS, SRAM, 32K X 8, 70NS	8
A17U201	156-3571-00	IC, MEMORY: CMOS, SRAM, 32K X 8, 70NS	8
A17U202	156-3571-00	IC, MEMORY: CMOS, SRAM, 32K X 8, 70NS	8
A17U203	156-3571-00	IC, MEMORY: CMOS, SRAM, 32K X 8, 70NS	8
A17U204	156-3571-00	IC, MEMORY: CMOS, SRAM, 32K X 8, 70NS	8
A17U205	156-3571-00	IC, MEMORY: CMOS, SRAM, 32K X 8, 70NS	7
A17U206	156-3571-00	IC, MEMORY: CMOS, SRAM, 32K X 8, 70NS	7
A17U207	156-3571-00	IC, MEMORY: CMOS, SRAM, 32K X 8, 70NS	7
A17U208	156-3571-00	IC, MEMORY: CMOS, SRAM, 32K X 8, 70NS	7
A17U209	156-3571-00	IC, MEMORY: CMOS, SRAM, 32K X 8, 70NS	7
A17U300	156-3571-00	IC, MEMORY: CMOS, SRAM, 32K X 8, 70NS	10
A17U301	156-3571-00	IC, MEMORY: CMOS, SRAM, 32K X 8, 70NS	10
A17U302	156-3571-00	IC, MEMORY: CMOS, SRAM, 32K X 8, 70NS	10
A17U303	156-3571-00	IC, MEMORY: CMOS, SRAM, 32K X 8, 70NS	10
A17U304	156-3571-00	IC, MEMORY: CMOS, SRAM, 32K X 8, 70NS	10
A17U305	156-3571-00	IC, MEMORY: CMOS, SRAM, 32K X 8, 70NS	9
A17U306	156-3571-00	IC, MEMORY: CMOS, SRAM, 32K X 8, 70NS	9
A17U307	156-3571-00	IC, MEMORY: CMOS, SRAM, 32K X 8, 70NS	9
A17U308	156-3571-00	IC, MEMORY: CMOS, SRAM, 32K X 8, 70NS	9
A17U309	156-3571-00	IC, MEMORY: CMOS, SRAM, 32K X 8, 70NS	9
A17U607	156-3571-00	IC, MEMORY: CMOS, SRAM, 32K X 8, 70NS	3
A17U609	156-3571-00	IC, MEMORY: CMOS, SRAM, 32K X 8, 70NS	3
A17U611	156-3571-00	IC, MEMORY: CMOS, SRAM, 32K X 8, 70NS	3
A17U617	156-3571-00	IC, MEMORY: CMOS, SRAM, 32K X 8, 70NS	3
A17U619	156-3571-00	IC, MEMORY: CMOS, SRAM, 32K X 8, 70NS	3
A17U621	156-3571-00	IC, MEMORY: CMOS, SRAM, 32K X 8, 70NS	3
A17U705	156-3571-00	IC, MEMORY: CMOS, SRAM, 32K X 8, 70NS	4
A17U707	156-3571-00	IC, MEMORY: CMOS, SRAM, 32K X 8, 70NS	4

Date: 3/7/91 Change Reference: M74402

Product: TSG1001 Manual Part No: 061-3810-00

**DESCRIPTION**

Eff S/N: B010204

**ELECTRICAL PARTS LIST and SCHEMATIC CHANGE**

**REPLACEABLE ELECTRICAL PARTS LIST**

**CHANGE TO READ:**

Located on  
A2 Schematic

A2	671-1693-02	CKT BD ASSY: OSCILLATOR BOARD
A2R210	322-3069-00	RES,FXD,FILM:51.1 OHM,1%,0.2W

2

**DESCRIPTION**

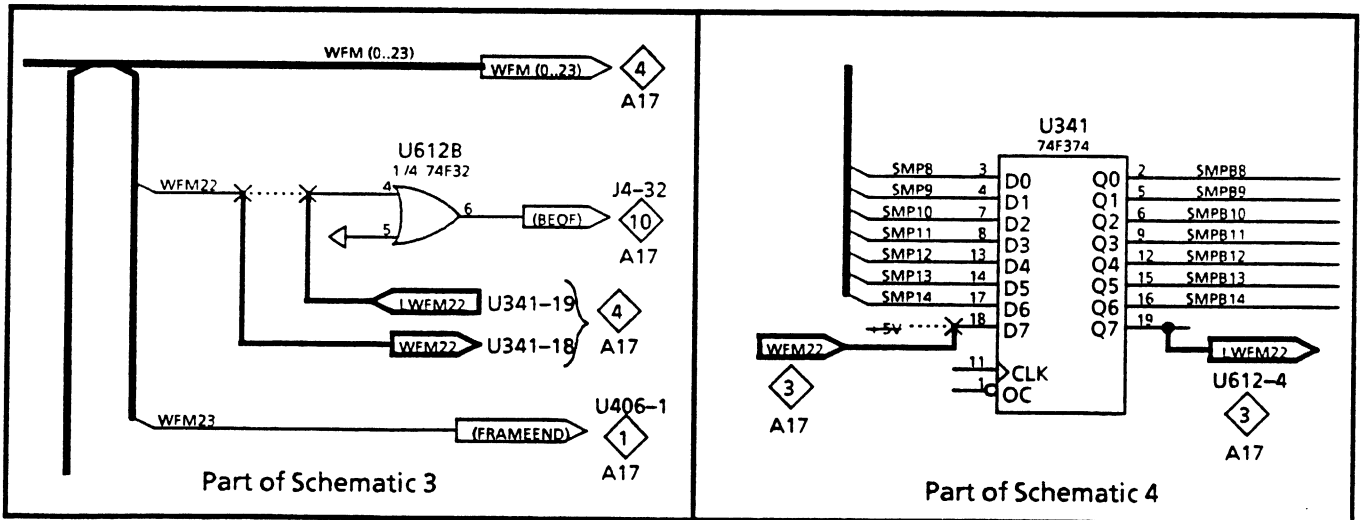
EFF S/N: B010200

**ELECTRICAL PARTS LIST and SCHEMATIC CHANGES**

REPLACEABLE ELECTRICAL PARTS

CHANGE TO READ:

A17          671-2028-03          CKT BD ASSY:RAM BOARD (OPTION 7 ONLY)



Partial schematics showing circuitry changes.

Date: 3/8/91 Change Reference: M74812Product: TSG 1001Manual Part No: 061-3810-00**DESCRIPTION**

Eff S/N: B010203

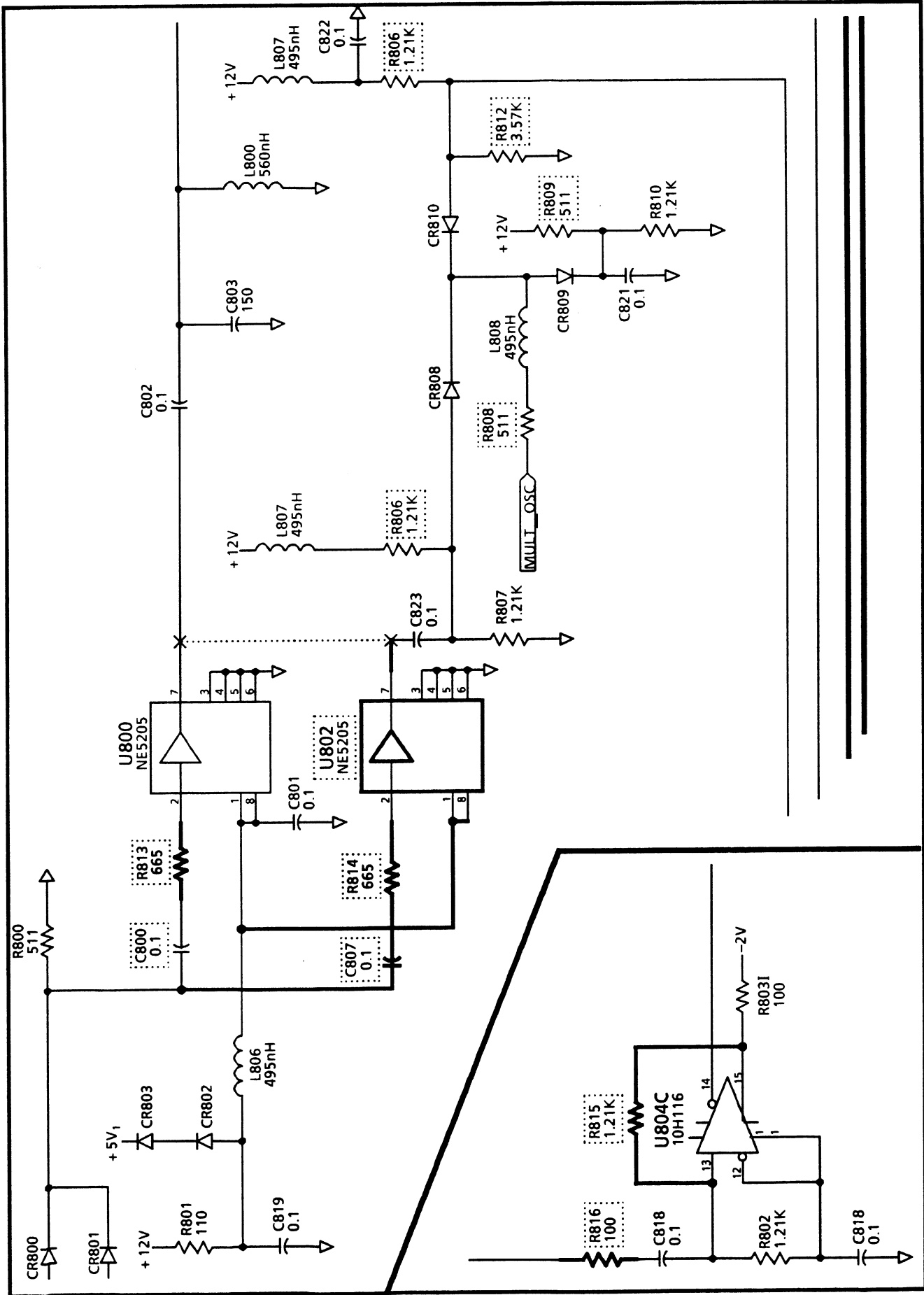
**ELECTRICAL PARTS LIST and SCHEMATIC CHANGES****REPLACEABLE ELECTRICAL PARTS LIST****CHANGE TO READ:**

A2	671-1693-03	CKT BD ASSY: OSCILLATOR BOARD
A2C800	281-0775-01	CAP,FXD,CER DI:0.1 UF,50V,20%
A2R806	322-3201-00	RES,FXD,FILM:1.21K OHM,1%,0.2W
A2R808	322-3165-00	RES,FXD,FILM:511 OHM,1%,0.2W
A2R809	322-3165-00	RES,FXD,FILM:511 OHM,1%,0.2W
A2R811	322-3201-00	RES,FXD,FILM:1.21K OHM,1%,0.2W
A2R812	322-3246-00	RES,FXD,FILM:3.57K OHM,1%,0.2W

**ADD:**

A2C807	281-0775-01	CAP,FXD,CER DI:0.1 UF,50V,20%
A2R813	322-3176-00	RES,FXD,FILM:665 OHM,1%,0.2W
A2R814	322-3176-00	RES,FXD,FILM:665 OHM,1%,0.2W
A2R815	322-3201-00	RES,FXD,FILM:1.21K OHM,1%,0.2W
A2R816	322-3097-00	RES,FXD,FILM:100 OHM,1%,0.2W

Added parts and changed circuitry are shown in the following partial schematic.



Partial drawings of A2 Schematic 7 showing changed circuitry and added parts.



Date: 5/21/91 Change Reference: M75055

Product: See List

Manual Part No: See List

**DESCRIPTION**

<u>INST</u>	<u>EFF S/N</u>	<u>MANUAL P/N</u>
TSG1001	B010232	061-3810-00
TSG1050	B010110	061-3718-00
TSG1125	B010185	061-3629-00
TSG1250	B010118	061-3719-00

**ELECTRICAL PARTS LIST and SCHEMATIC CHANGES**

**REPLACEABLE ELECTRICAL PARTS LIST**

**CHANGE TO READ:**

A3	671-1789-05	CKT BD ASSY: OUTPUT BOARD (TSG1001, TSG1125 ONLY)
A3	671-0910-04	CKT BD ASSY: OUTPUT BOARD (TSG1050, TSG1250 ONLY)

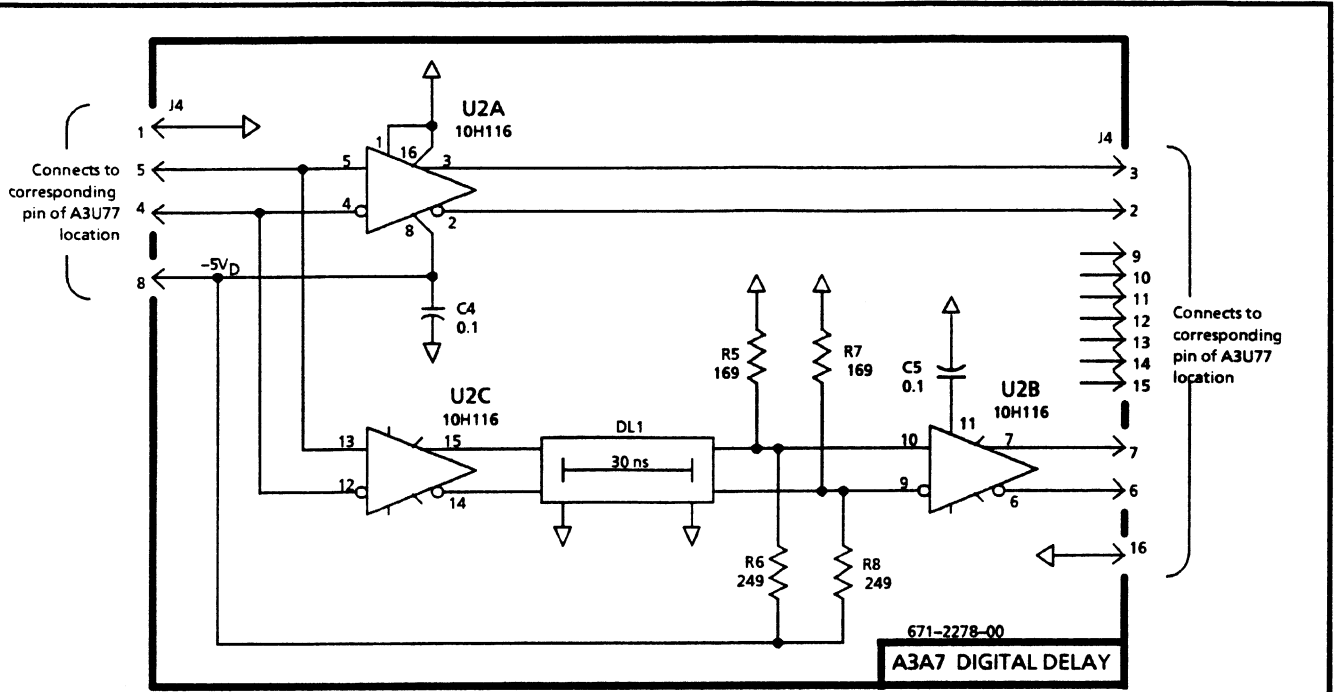
**DELETE:**

A3C234	A3C302	A3U77	A3TP4	A3TP7
A3C301	A3C303	A3U84	A3TP5	

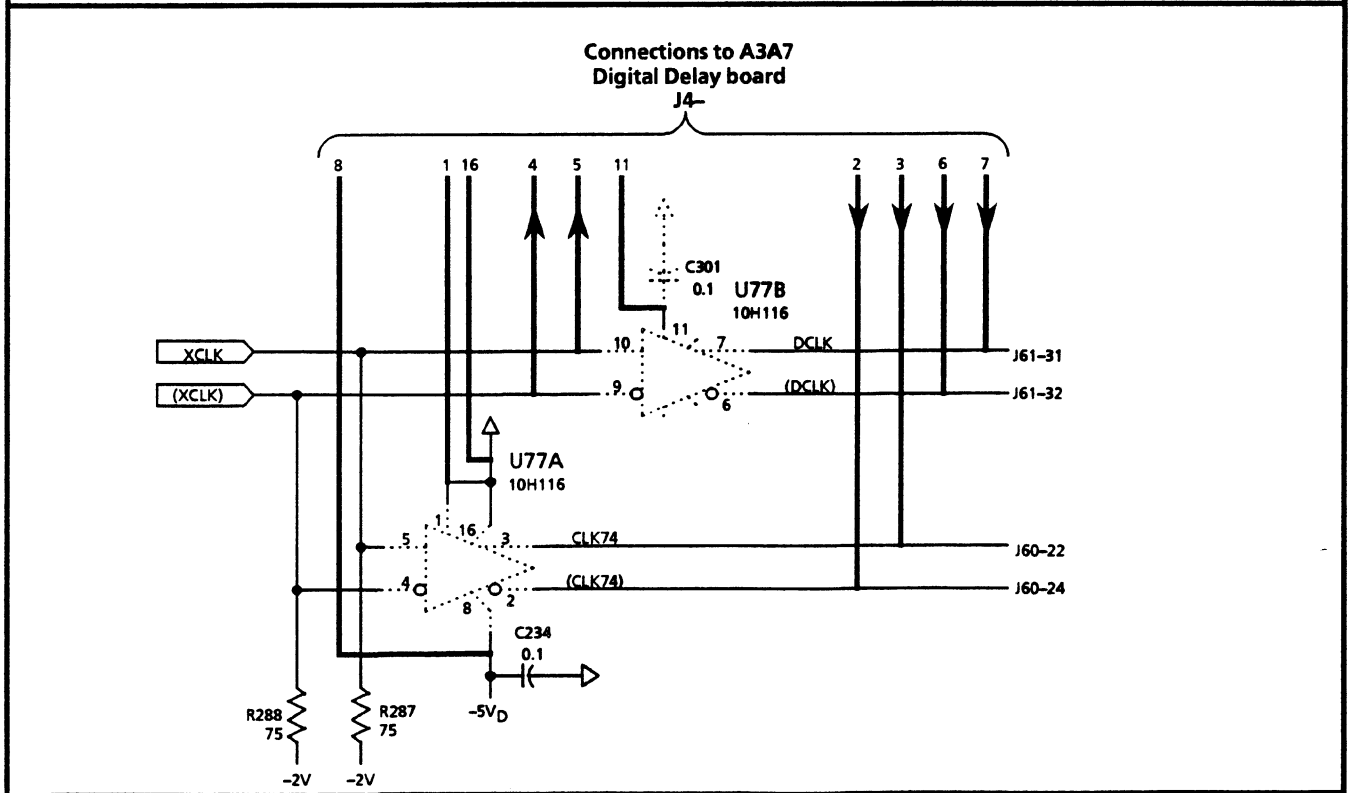
**ADD:**

A3A6	671-2277-00	CKT BD ASSY: ANALOG DELAY BOARD
A3A6C1	281-0775-01	CAP,FXD,CER DI:0.1 UF,20%,50V
A3A6C2	281-0775-01	CAP,FXD,CER DI:0.1 UF,20%,50V
A3A6D1	119-4277-00	DELAY LINE ASSY: 20.0 L, 25 NS
A3A6J1	131-0608-00	TERMINAL,PIN:0.365 L X 0.025 BRZ GLD PL (QTY 16)
A3A6R1	322-3119-00	RES,FXD,FILM:169 OHM,1%,0.2W
A3A6R2	322-3119-00	RES,FXD,FILM:169 OHM,1%,0.2W
A3A6R3	322-3135-00	RES,FXD,FILM:249 OHM,1%,0.2W
A3A6R4	322-3135-00	RES,FXD,FILM:249 OHM,1%,0.2W
A3A6U1	156-1640-00	MICROCKT,DGTL:ECL,TPL LINE RCVR
A3A7	671-2278-00	CKT BD ASSY: DIGITAL DELAY BOARD
A3A7C4	281-0775-01	CAP,FXD,CER DI:0.1 UF,20%,50V
A3A7C5	281-0775-01	CAP,FXD,CER DI:0.1 UF,20%,50V
A3A7J4	131-0608-00	TERMINAL,PIN:0.365 L X 0.025 BRZ GLD PL (QTY 16)
A3A7D1	119-4276-00	DELAY LINE ASSY: 24.0 L, 30 NS
A3A7R5	322-3119-00	RES,FXD,FILM:169 OHM,1%,0.2W
A3A7R6	322-3135-00	RES,FXD,FILM:249 OHM,1%,0.2W
A3A7R7	322-3119-00	RES,FXD,FILM:169 OHM,1%,0.2W
A3A7R8	322-3135-00	RES,FXD,FILM:249 OHM,1%,0.2W
A3A7U2	156-1640-00	MICROCKT,DGTL:ECL,TPL LINE RCVR

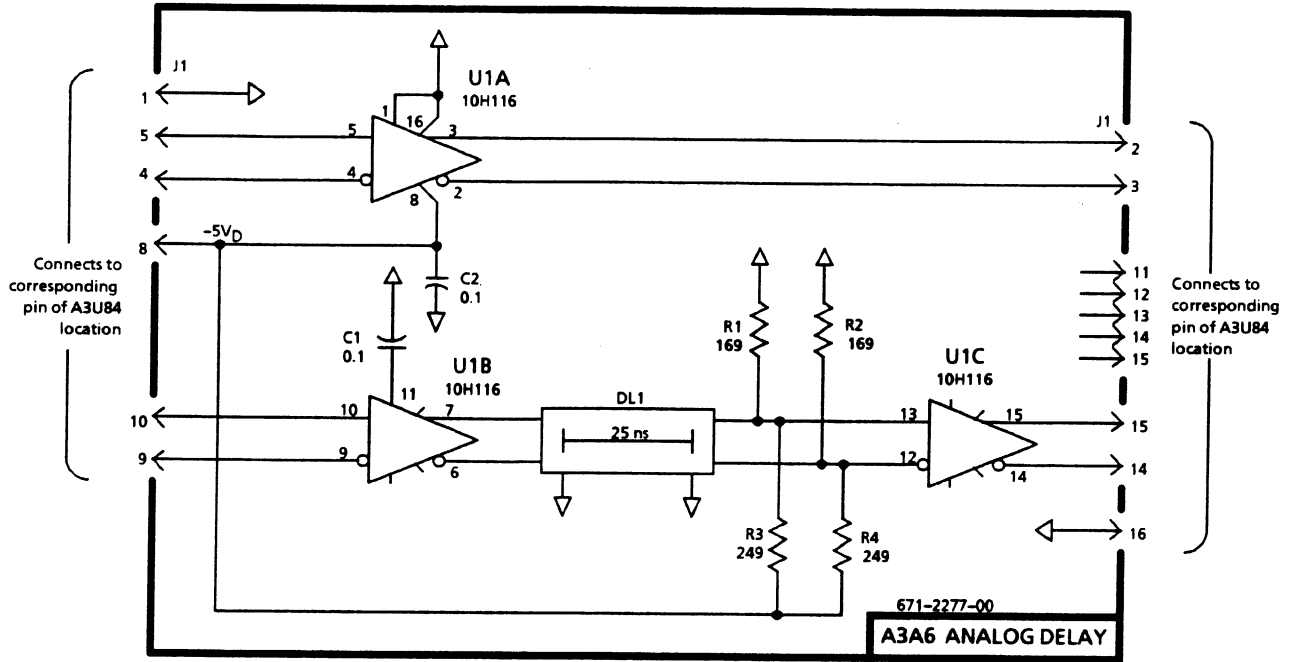
Added parts and changed circuitry are shown on the following partial schematics.



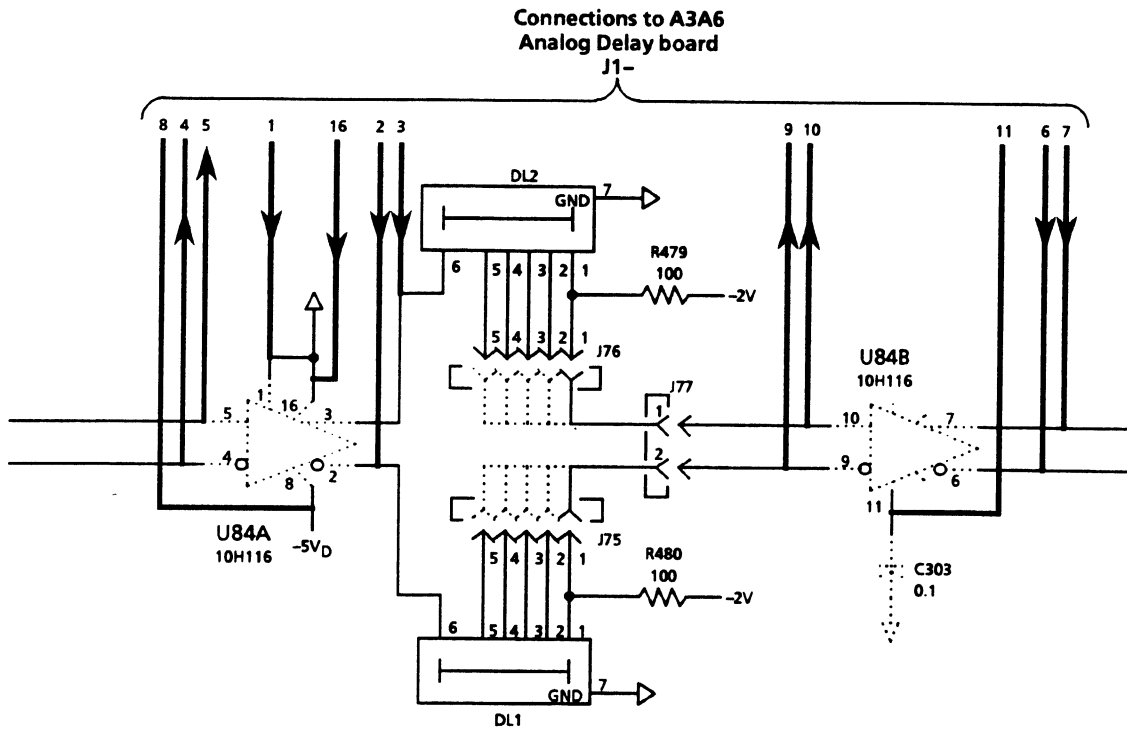
Add A3A7 DIGITAL DELAY BOARD as shown



Part of A3 Schematic 10 (Schematic 8 for TSG1001), showing circuitry changes.



ADD A3A6 ANALOG DELAY BOARD AS SHOWN



Part of A3 Schematic 12 (Schematic 9 for TSG1001), showing circuitry changes.

Date: 4/8/91 Change Reference: M75069

Product: TSG1001

Manual Part No: 061-3810-00

**DESCRIPTION**

EFF S/N: B010219

**ELECTRICAL PARTS LIST and SCHEMATIC CHANGES**

**REPLACEABLE ELECTRICAL PARTS**

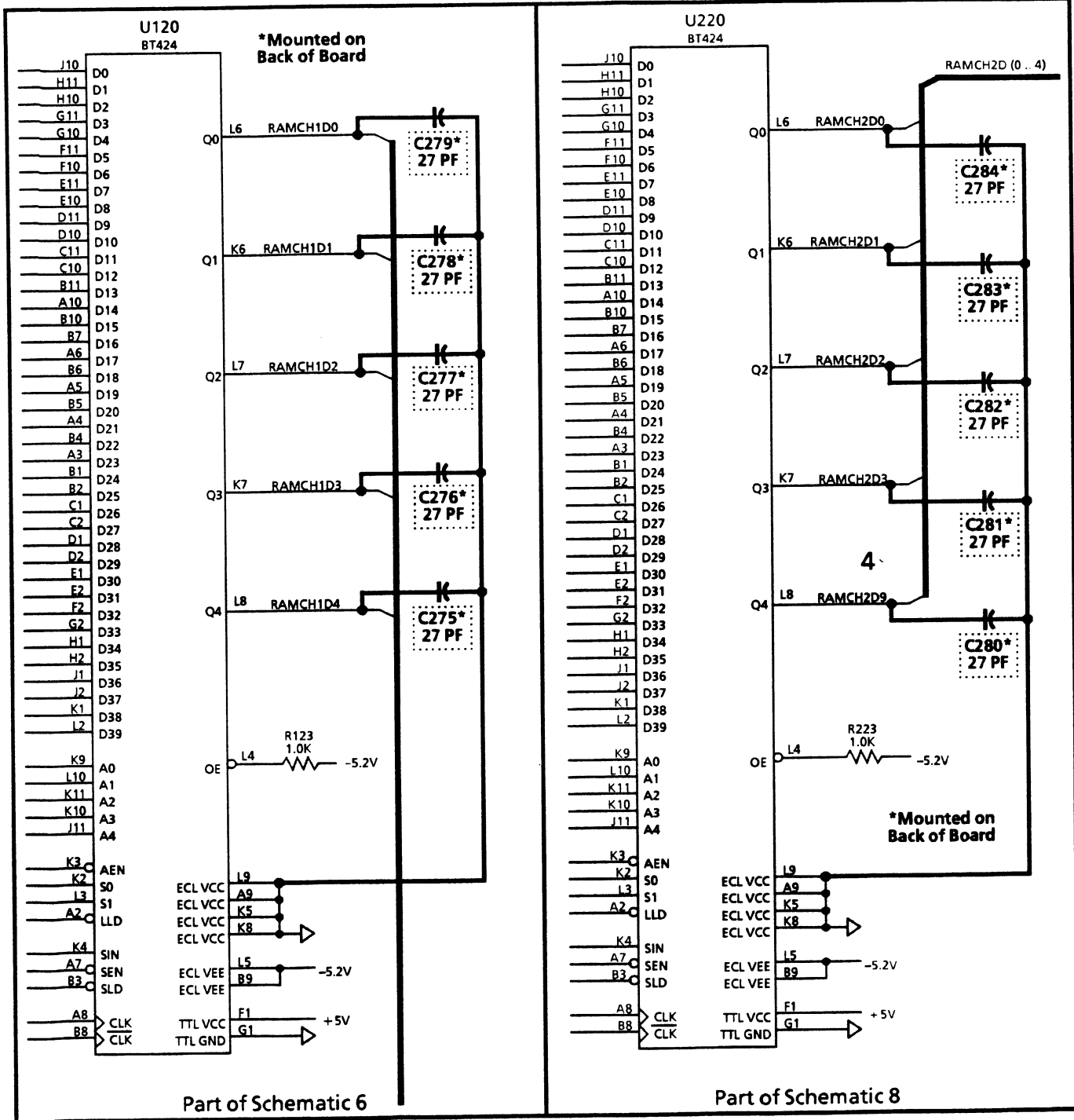
**CHANGE TO READ**

A17          671-2028-04          CKT BD ASSY: RAM BOARD (OPT 07 ONLY)

**ADD:**

A17C275	281-0762-00	CAP,FXD,CER DI:27 PF,100V,±20%
A17C276	281-0762-00	CAP,FXD,CER DI:27 PF,100V,±20%
A17C277	281-0762-00	CAP,FXD,CER DI:27 PF,100V,±20%
A17C278	281-0762-00	CAP,FXD,CER DI:27 PF,100V,±20%
A17C279	281-0762-00	CAP,FXD,CER DI:27 PF,100V,±20%
A17C280	281-0762-00	CAP,FXD,CER DI:27 PF,100V,±20%
A17C281	281-0762-00	CAP,FXD,CER DI:27 PF,100V,±20%
A17C282	281-0762-00	CAP,FXD,CER DI:27 PF,100V,±20%
A17C283	281-0762-00	CAP,FXD,CER DI:27 PF,100V,±20%
A17C284	281-0762-00	CAP,FXD,CER DI:27 PF,100V,±20%

Added parts are shown in the following partial schematics.



Partial A17 Schematics, showing added parts.

**DESCRIPTION**

<u>INST</u>	<u>EFF S/N</u>	<u>MANUAL P/N</u>
TSG 1001	B010232	061-3810-00
TSG 1050	B010110	061-3718-00
TSG 1125	B010188	061-3629-00
TSG 1250	B010118	061-3719-00

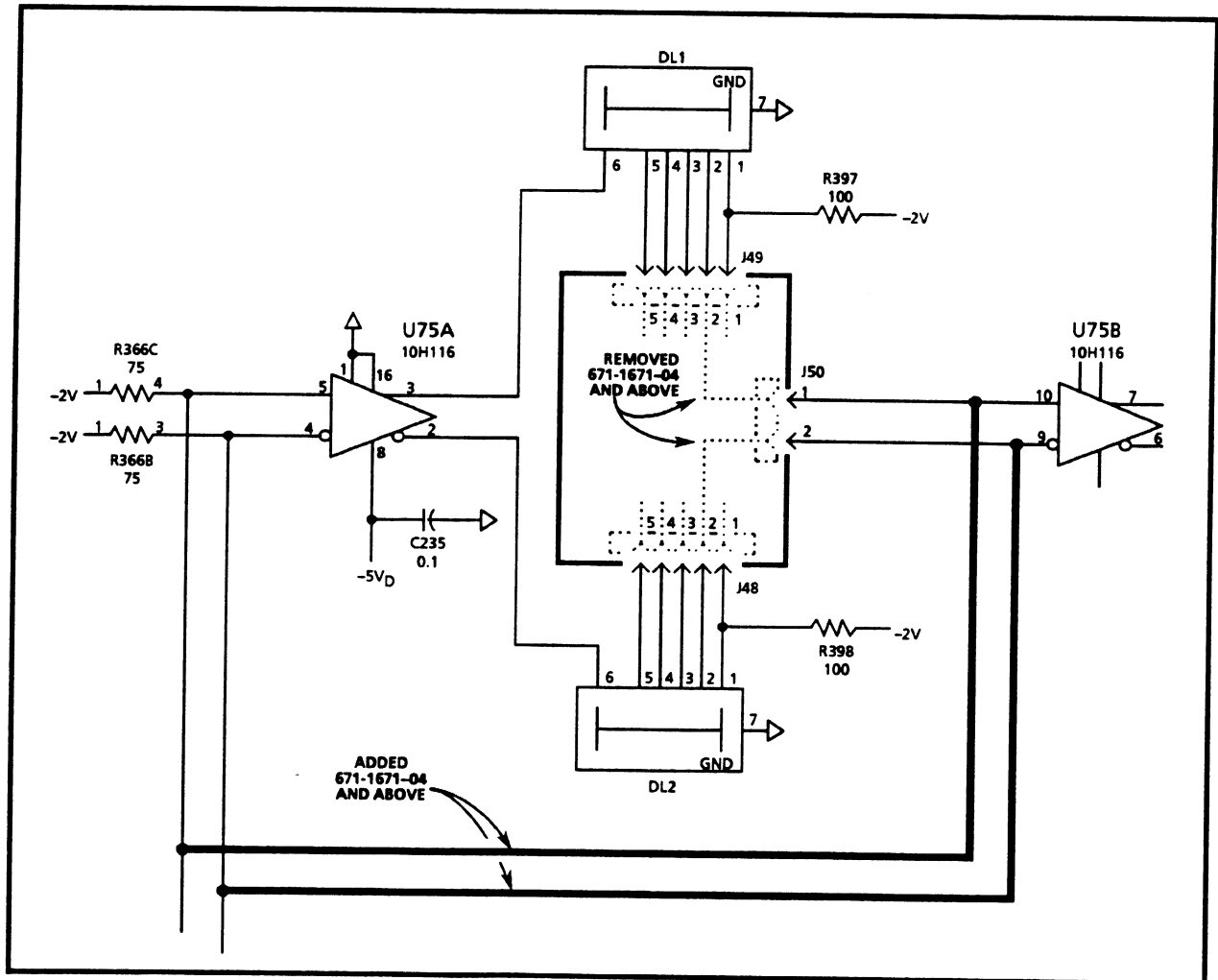
**ELECTRICAL PARTS LIST and SCHEMATIC CHANGE**

REPLACEABLE ELECTRICAL PARTS

CHANGE TO READ:

A6 671-1671-04

CKT BD ASSY: DIGITAL OUTPUT



Part of A6 Schematic 1, showing circuitry change.

Date: 10/15/91 Change Reference: M73819Product: See ListManual Part No: See List**DESCRIPTION**

<b>INST</b>	<b>EFF S/N</b>	<b>MANUAL P/N</b>
TSG1001	B020000	061-3810-00
TSG1050	B020000	061-3718-00
TSG1125	B020000	061-3629-00
TSG1250	B020000	061-3719-00

**TEXT, ELECTRICAL PARTS LIST, and SCHEMATIC CHANGES****SECTION 3 OPERATION INSTRUCTIONS**Page 3-7,**CHANGE Utilities discussion, item 4 TO READ:**

4. Use the front panel knob or the right arrow button to view the available settings for the category. Exiting the category in any manner saves the last displayed setting. You may exit the category by pressing the left arrow button, which backs up one level in the menu, or by pressing the Utility button, which exits the utility function.

Following the Utilities discussion, **Add:****Using the TSG1000 Generators with an External Clock**

The external CLOCK and FRAME reset inputs are used to allow a TSG 1000 series generator to be locked to a SPG 1000 HD Sync Generator and genlocked to an external source. The CLOCK and FRAME reset inputs also allow the generator to be driven from a user-supplied external clock source, to produce signals at non-standard sampling frequencies.

The source for the TSG 1000 Clock and Frame reset signal is selected in the Utilities menu. If INTERNAL REFERENCE is selected, the Clock and Frame reset signals are derived from the TSG 1000's internal crystal oscillator. If EXTERNAL REFERENCE is selected, the TSG 1000 may be operated in one of three modes: External Clock mode, 2 Wire mode, or Encoded mode.

**External Clock mode**

In this mode the signal connected to the CLOCK IN input on the rear-panel is used as the system clock. CLOCK IN is a 10KH differential ECL input. The allowable frequency range for the external clock in this mode is 13.5 MHz to 78 MHz. When this mode is selected, the FRAME IN input is ignored.

## 2 Wire mode (External Clock with Frame Reset)

This mode is similar to the External Clock mode, except that the generator is reset to the top of the frame whenever a positive pulse is applied to the FRAME IN input. FRAME IN is also a 10KHz differential ECL input. The allowable frequency range for the External Clock in this mode is 13.5 MHz to 78 MHz. For correct timing, the FRAME IN signal is one clock cycle wide, and centered on a CLOCK IN rising edge (see Fig. 3-5).

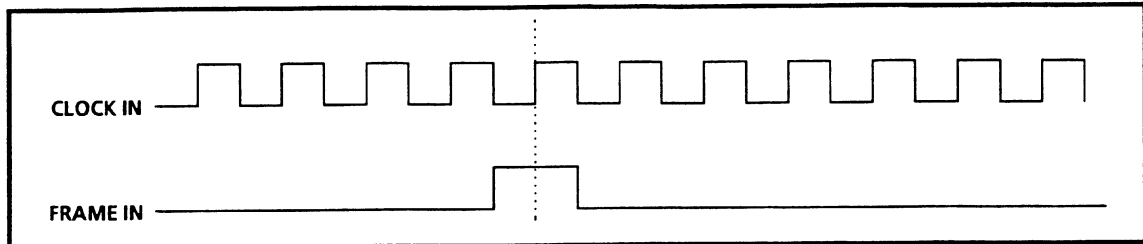


Fig. 3-5. FRAME IN to CLOCK IN timing relationship.

## Encoded mode

This is the mode that the SPG 1000 uses to control a TSG 1000 series generator. In this mode, the frame information is encoded into the clock signal by deleting a positive half-cycle of the clock signal (see Fig. 3-6). The allowable frequency range in this mode is 68 MHz to 78 MHz.

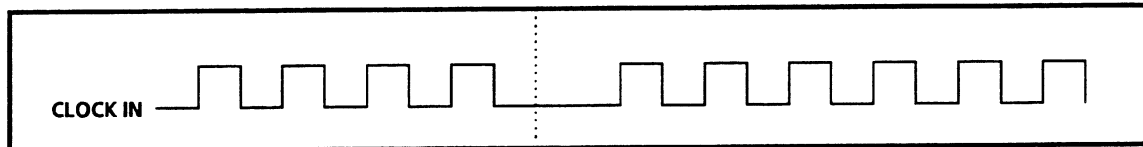


Fig. 3-6. Encoded mode CLOCK IN timing.

**INCREMENT current Figure 3-5 TO Figure 3-7.**



## SECTION 4 SPECIFICATIONS

Page 4-3, following Table 4-4 Digital Outputs

INCREMENT current Table 4-5 through 4-8 by 1, AND ADD new Table 4-5 AS FOLLOWS:

**Table 4-5  
TSG 1000 Series CLOCK INPUT Requirements**

Characteristic	Performance Requirement	Supplemental Information
<b>Clock Input (External Clock mode)</b> Levels  Frequency  Noise	  72 MHz, 74.25 MHz, and 75.335664 MHz	10KH differential ECL input  Hi level   Min = -1.18V Max = -0.98V Low Level   Min = -1.72V Max = -1.52V Measured at the CLOCK IN connector, from a reverse terminated source.  Typically 8 MHz to 78 MHz  Normal mode > 40 dB Common mode = 500 mV p-p
<b>FRAME Input (2 Wire mode)</b> Levels		10KH differential ECL input  Hi level   Min = -1.18V Max = -0.98V Low Level   Min = -1.72V Max = -1.52V Measured at the FRAME IN connector, from a reverse terminated source.
<b>CLOCK Input (Encoded mode)</b> Levels  Frequency  Noise	  72 MHz, 74.25 MHz, and 75.335664 MHz	10KH differential ECL input  Hi level   Min = -1.18V Max = -0.98V Low Level   Min = -1.72V Max = -1.52V Measured at the CLOCK IN connector, from a reverse terminated source.  Typically 69 MHz to 78 MHz  Normal mode > 40 dB Common mode = 500 mV p-p

Date: 10/15/91

Group Code 20

Change Reference: M73819Product: See ListManual Part No: See List**REPLACEABLE ELECTRICAL PARTS LIST****REPLACE the A8 Clock Input parts list WITH THE FOLLOWING:**

Component No.	Tektronix Part No.	Serial/Assembly No. Effective Dscnt	Name & Description	Mfr. Code	Mfr. Part No.
A8	671-1345-00		CIRCUIT BD ASSY:CLOCK INPUT	80009	671-1345-00
A8	671-1345-00		CIRCUIT BD ASSY:CLOCK INPUT	80009	671-1345-00
A8C1	281-0775-01		CAP, FXD, CER DI: 0.1UF, 20%, 50V	04222	SA105E104MAA
A8C11	290-0804-00		CAP, FXD, ELCTLT: 10UF, +50-20%, 25V	80009	290-0804-00
A8C12	281-0775-01		CAP, FXD, CER DI: 0.1UF, 20%, 50V	04222	SA105E104MAA
A8C13	281-0775-01		CAP, FXD, CER DI: 0.1UF, 20%, 50V	04222	SA105E104MAA
A8C14	290-0804-00		CAP, FXD, ELCTLT: 10UF, +50-20%, 25V	80009	290-0804-00
A8C15	281-0775-01		CAP, FXD, CER DI: 0.1UF, 20%, 50V	04222	SA105E104MAA
A8C16	281-0775-01		CAP, FXD, CER DI: 0.1UF, 20%, 50V	04222	SA105E104MAA
A8C17	281-0775-01		CAP, FXD, CER DI: 0.1UF, 20%, 50V	04222	SA105E104MAA
A8C18	281-0775-01		CAP, FXD, CER DI: 0.1UF, 20%, 50V	04222	SA105E104MAA
A8C19	281-0775-01		CAP, FXD, CER DI: 0.1UF, 20%, 50V	04222	SA105E104MAA
A8C20	281-0775-01		CAP, FXD, CER DI: 0.1UF, 20%, 50V	04222	SA105E104MAA
A8C21	281-0775-01		CAP, FXD, CER DI: 0.1UF, 20%, 50V	04222	SA105E104MAA
A8C22	281-0775-01		CAP, FXD, CER DI: 0.1UF, 20%, 50V	04222	SA105E104MAA
A8C23	281-0775-01		CAP, FXD, CER DI: 0.1UF, 20%, 50V	04222	SA105E104MAA
A8C26	281-0775-01		CAP, FXD, CER DI: 0.1UF, 20%, 50V	04222	SA105E104MAA
A8C27	290-0804-00		CAP, FXD, ELCTLT: 10UF, +50-20%, 25V	80009	290-0804-00
A8C28	290-0804-00		CAP, FXD, ELCTLT: 10UF, +50-20%, 25V	80009	290-0804-00
A8C29	290-0804-00		CAP, FXD, ELCTLT: 10UF, +50-20%, 25V	80009	290-0804-00
A8C30	290-0804-00		CAP, FXD, ELCTLT: 10UF, +50-20%, 25V	80009	290-0804-00
A8C31	281-0775-01		CAP, FXD, CER DI: 0.1UF, 20%, 50V	04222	SA105E104MAA
A8C32	281-0775-01		CAP, FXD, CER DI: 0.1UF, 20%, 50V	04222	SA105E104MAA
A8C33	281-0775-01		CAP, FXD, CER DI: 0.1UF, 20%, 50V	04222	SA105E104MAA
A8C34	281-0775-01		CAP, FXD, CER DI: 0.1UF, 20%, 50V	04222	SA105E104MAA
A8C35	281-0775-01		CAP, FXD, CER DI: 0.1UF, 20%, 50V	04222	SA105E104MAA
A8C36	281-0775-01		CAP, FXD, CER DI: 0.1UF, 20%, 50V	04222	SA105E104MAA
A8C37	281-0775-01		CAP, FXD, CER DI: 0.1UF, 20%, 50V	04222	SA105E104MAA
A8C38	290-0804-00		CAP, FXD, ELCTLT: 10UF, +50-20%, 25V	80009	290-0804-00
A8C39	290-0804-00		CAP, FXD, ELCTLT: 10UF, +50-20%, 25V	80009	290-0804-00
A8C40	281-0775-01		CAP, FXD, CER DI: 0.1UF, 20%, 50V	04222	SA105E104MAA
A8C41	281-0775-01		CAP, FXD, CER DI: 0.1UF, 20%, 50V	04222	SA105E104MAA
A8C42	281-0775-01		CAP, FXD, CER DI: 0.1UF, 20%, 50V	04222	SA105E104MAA
A8C43	281-0775-01		CAP, FXD, CER DI: 0.1UF, 20%, 50V	04222	SA105E104MAA
A8C44	281-0775-01		CAP, FXD, CER DI: 0.1UF, 20%, 50V	04222	SA105E104MAA
A8C45	281-0775-01		CAP, FXD, CER DI: 0.1UF, 20%, 50V	04222	SA105E104MAA
A8C46	281-0775-01		CAP, FXD, CER DI: 0.1UF, 20%, 50V	04222	SA105E104MAA
A8C47	281-0775-01		CAP, FXD, CER DI: 0.1UF, 20%, 50V	04222	SA105E104MAA
A8C48	281-0775-01		CAP, FXD, CER DI: 0.1UF, 20%, 50V	04222	SA105E104MAA
A8C49	281-0775-01		CAP, FXD, CER DI: 0.1UF, 20%, 50V	04222	SA105E104MAA
A8C50	283-0766-00		CAP, FXD, MICA DI: 47 PF, 1%, 500V	80009	283-0766-00
A8C51	283-0594-00		CAP, FXD, MICA DI: 0.001UF, 1%, 100V	80009	283-0594-00
A8C52	283-0594-00		CAP, FXD, MICA DI: 0.001UF, 1%, 100V	80009	283-0594-00
A8C53	281-0775-01		CAP, FXD, CER DI: 0.1UF, 20%, 50V	04222	SA105E104MAA
A8C54	281-0775-01		CAP, FXD, CER DI: 0.1UF, 20%, 50V	04222	SA105E104MAA
A8C55	283-0059-00		CAP, FXD, CER DI: 1UF, +80-20%, 50V	04222	SR305C105MAA
A8C56	281-0775-01		CAP, FXD, CER DI: 0.1UF, 20%, 50V	04222	SA105E104MAA
A8C57	281-0775-01		CAP, FXD, CER DI: 0.1UF, 20%, 50V	04222	SA105E104MAA
A8C58	281-0775-01		CAP, FXD, CER DI: 0.1UF, 20%, 50V	04222	SA105E104MAA

Date: 10/15/91

Group Code 20

Change Reference: M73819Product: See ListManual Part No: See List

Component No.	Tektronix Part No.	Serial/Assembly No. Effective Dscont	Name & Description	Mfr. Code	Mfr. Part No.
A8C59	281-0775-01		CAP, FXD, CER DI: 0.1UF, 20%, 50V	04222	SA105E104MAA
A8C60	281-0775-01		CAP, FXD, CER DI: 0.1UF, 20%, 50V	04222	SA105E104MAA
A8C61	281-0775-01		CAP, FXD, CER DI: 0.1UF, 20%, 50V	04222	SA105E104MAA
A8C63	281-0775-01		CAP, FXD, CER DI: 0.1UF, 20%, 50V	04222	SA105E104MAA
A8C64	281-0775-01		CAP, FXD, CER DI: 0.1UF, 20%, 50V	04222	SA105E104MAA
A8C65	281-0775-01		CAP, FXD, CER DI: 0.1UF, 20%, 50V	04222	SA105E104MAA
A8C66	281-0775-01		CAP, FXD, CER DI: 0.1UF, 20%, 50V	04222	SA105E104MAA
A8C70	281-0775-01		CAP, FXD, CER DI: 0.1UF, 20%, 50V	04222	SA105E104MAA
A8C71	281-0775-01		CAP, FXD, CER DI: 0.1UF, 20%, 50V	04222	SA105E104MAA
A8C72	281-0775-01		CAP, FXD, CER DI: 0.1UF, 20%, 50V	04222	SA105E104MAA
A8C73	281-0775-01		CAP, FXD, CER DI: 0.1UF, 20%, 50V	04222	SA105E104MAA
A8C74	281-0775-01		CAP, FXD, CER DI: 0.1UF, 20%, 50V	04222	SA105E104MAA
A8C76	281-0775-01		CAP, FXD, CER DI: 0.1UF, 20%, 50V	04222	SA105E104MAA
A8C77	281-0775-01		CAP, FXD, CER DI: 0.1UF, 20%, 50V	04222	SA105E104MAA
A8C79	281-0775-01		CAP, FXD, CER DI: 0.1UF, 20%, 50V	04222	SA105E104MAA
A8C80	281-0775-01		CAP, FXD, CER DI: 0.1UF, 20%, 50V	04222	SA105E104MAA
A8C81	281-0775-01		CAP, FXD, CER DI: 0.1UF, 20%, 50V	04222	SA105E104MAA
A8C83	281-0775-01		CAP, FXD, CER DI: 0.1UF, 20%, 50V	04222	SA105E104MAA
A8C84	281-0775-01		CAP, FXD, CER DI: 0.1UF, 20%, 50V	04222	SA105E104MAA
A8C85	281-0775-01		CAP, FXD, CER DI: 0.1UF, 20%, 50V	04222	SA105E104MAA
A8C86	281-0775-01		CAP, FXD, CER DI: 0.1UF, 20%, 50V	04222	SA105E104MAA
A8C87	283-0594-00		CAP, FXD, MICA DI: 0.001UF, 1%, 100V	80009	283-0594-00
A8C88	283-0594-00		CAP, FXD, MICA DI: 0.001UF, 1%, 100V	80009	283-0594-00
A8C89	281-0775-01		CAP, FXD, CER DI: 0.1UF, 20%, 50V	04222	SA105E104MAA
A8C90	283-0594-00		CAP, FXD, MICA DI: 0.001UF, 1%, 100V	80009	283-0594-00
A8C91	283-0594-00		CAP, FXD, MICA DI: 0.001UF, 1%, 100V	80009	283-0594-00
A8C92	281-0775-01		CAP, FXD, CER DI: 0.1UF, 20%, 50V	04222	SA105E104MAA
A8C93	281-0775-01		CAP, FXD, CER DI: 0.1UF, 20%, 50V	04222	SA105E104MAA
A8C94	281-0775-01		CAP, FXD, CER DI: 0.1UF, 20%, 50V	04222	SA105E104MAA
A8C95	281-0775-01		CAP, FXD, CER DI: 0.1UF, 20%, 50V	04222	SA105E104MAA
A8C96	281-0775-01		CAP, FXD, CER DI: 0.1UF, 20%, 50V	04222	SA105E104MAA
A8CR1	152-0066-00		DIODE, RECT: , ; 400V, 1A, 30A IFSM; GP10G, DO-41, T R	05828	GP10G-020
A8CR2	152-0066-00		DIODE, RECT: , ; 400V, 1A, 30A IFSM; GP10G, DO-41, T R	05828	GP10G-020
A8CR3	152-0665-00		SEMICON DVC, DI: VVC, SI, 30V, A276	25088	BB109G
A8CR4	152-0665-00		SEMICON DVC, DI: VVC, SI, 30V, A276	25088	BB109G
A8CR5	152-0141-02		DIODE, SIG: , ULTRA FAST; 40V, 150MA, 4NS, 2PF; 1N4 152, DO-35, TR	80009	152-0141-02
A8CR6	152-0725-00		SEMICON DVC, DI: SI, SCHOTTKY, 20V, 1.2PF, DO-35	21847	A2X1582
A8CR7	152-0141-02		DIODE, SIG: , ULTRA FAST; 40V, 150MA, 4NS, 2PF; 1N4 152, DO-35, TR	80009	152-0141-02
A8DL1	119-1380-00		DELAY LINE, ELEC: 10NS, 100 OHM, TAPPED 2NS, PAS SIVE, 7 PIN SIP	80009	119-1380-00
A8DL2	119-1380-00		DELAY LINE, ELEC: 10NS, 100 OHM, TAPPED 2NS, PAS SIVE, 7 PIN SIP	80009	119-1380-00
A8DL3	119-1380-00		DELAY LINE, ELEC: 10NS, 100 OHM, TAPPED 2NS, PAS SIVE, 7 PIN SIP	80009	119-1380-00
A8DS1	150-1017-00		LT EMITTING DIO: GREEN, 550NM, 55MA MAX	80009	150-1017-00
A8J4	131-3323-00		CONN, HDR:	22526	66506-025
A8J7	131-5152-00		CONN, RF: BNC-TWIN, PCB, JACK, RTANG, REAR PNL MT G, 0.170 TAIL, 0.505 D MTG HDLE, TWINAX STYLE	00779	228686-1

Date: 10/15/91

Group Code 20

Change Reference: M73819Product: See ListManual Part No: See List

Component No.	Tektronix Part No.	Serial/Assembly No. Effective	Discont	Name & Description	Mfr. Code	Mfr. Part No.
A8J8	131-5152-00			CONN,RF:BNC-TWIN,PCB,JACK,RTANG,REAR PNL MT G,0.170 TAIL,0.505 D MTG HOLE,TWINAX STYLE	00779	228686-1
A8J9	131-0608-00			TERMINAL,PIN:0.365 L X 0.025 BRZ GLD PL (QUANTITY 4)	80009	131-0608-00
A8J10	131-0608-00			TERMINAL,PIN:0.365 L X 0.025 BRZ GLD PL (QUANTITY 4)	80009	131-0608-00
A8J11	131-0608-00			TERMINAL,PIN:0.365 L X 0.025 BRZ GLD PL (QUANTITY 5)	80009	131-0608-00
A8J12	131-0608-00			TERMINAL,PIN:0.365 L X 0.025 BRZ GLD PL (QUANTITY 5)	80009	131-0608-00
A8J13	131-0608-00			TERMINAL,PIN:0.365 L X 0.025 BRZ GLD PL (QUANTITY 5)	80009	131-0608-00
A8J14	131-0608-00			TERMINAL,PIN:0.365 L X 0.025 BRZ GLD PL (QUANTITY 5)	80009	131-0608-00
A8J15	131-0608-00			TERMINAL,PIN:0.365 L X 0.025 BRZ GLD PL (QUANTITY 3)	80009	131-0608-00
A8J16	131-0608-00			TERMINAL,PIN:0.365 L X 0.025 BRZ GLD PL (QUANTITY 3)	80009	131-0608-00
A8L1	108-0215-00			COIL,RF:FIXED,1.1UH	TK1345	108-0215-00
A8L2	108-0215-00			COIL,RF:FIXED,1.1UH	TK1345	108-0215-00
A8L3	108-0858-00			COIL,RF:FXD,3.2 UH	TK1345	108-0858-00
A8L4	108-0215-00			COIL,RF:FIXED,1.1UH	TK1345	108-0215-00
A8L5	108-0327-00			COIL,RF:FIXED,48NH	TK2042	ORDER BY DESCR
A8P1	131-0993-02			BUS,CONDUCTOR:SHUNT ASSEMBLY,RED	00779	1-850100-0
A8P2	131-0993-02			BUS,CONDUCTOR:SHUNT ASSEMBLY,RED	00779	1-850100-0
A8P3	131-0993-02			BUS,CONDUCTOR:SHUNT ASSEMBLY,RED	00779	1-850100-0
A8Q1	151-0190-00			TRANSISTOR,SIG:BIPOLAR,NPN;40V,200MA,300MHZ ,AMPLIFIER;2N3904,TO-92 EBC	80009	151-0190-00
A8R6	322-3058-00			RES,FXD,FILM:39.2 OHM,1%,0.2W,TC=TO	80009	322-3058-00
A8R7	322-3058-00			RES,FXD,FILM:39.2 OHM,1%,0.2W,TC=TO	80009	322-3058-00
A8R8	322-3085-00			RES,FXD,FILM:75 OHM,1%,0.2W,TC=TO	57668	CRB20 FXE 75E0
A8R9	322-3085-00			RES,FXD,FILM:75 OHM,1%,0.2W,TC=TO	57668	CRB20 FXE 75E0
A8R10	322-3137-00			RES,FXD,FILM:261 OHM,1%,0.2W,TC=TO	80009	322-3137-00
A8R11	322-3137-00			RES,FXD,FILM:261 OHM,1%,0.2W,TC=TO	80009	322-3137-00
A8R12	322-3085-00			RES,FXD,FILM:75 OHM,1%,0.2W,TC=TO	57668	CRB20 FXE 75E0
A8R13	322-3085-00			RES,FXD,FILM:75 OHM,1%,0.2W,TC=TO	57668	CRB20 FXE 75E0
A8R14	322-3085-00			RES,FXD,FILM:75 OHM,1%,0.2W,TC=TO	57668	CRB20 FXE 75E0
A8R15	322-3085-00			RES,FXD,FILM:75 OHM,1%,0.2W,TC=TO	57668	CRB20 FXE 75E0
A8R16	322-3085-00			RES,FXD,FILM:75 OHM,1%,0.2W,TC=TO	57668	CRB20 FXE 75E0
A8R17	322-3165-00			RES,FXD,FILM:511 OHM,1%,0.2W,TC=TO	57668	CRB20 FXE 511E
A8R18	322-3085-00			RES,FXD,FILM:75 OHM,1%,0.2W,TC=TO	57668	CRB20 FXE 75E0
A8R19	322-3165-00			RES,FXD,FILM:511 OHM,1%,0.2W,TC=TO	57668	CRB20 FXE 511E
A8R20	322-3085-00			RES,FXD,FILM:75 OHM,1%,0.2W,TC=TO	57668	CRB20 FXE 75E0
A8R21	322-3085-00			RES,FXD,FILM:75 OHM,1%,0.2W,TC=TO	57668	CRB20 FXE 75E0
A8R22	322-3086-00			RES,FXD,FILM:76.8 OHM,1%,0.2W,TC=TO	91637	CCF50-2G76R80F
A8R23	322-3105-00			RES,FXD,FILM:121 OHM,1%,0.2W,TC=TO	80009	322-3105-00
A8R24	322-3085-00			RES,FXD,FILM:75 OHM,1%,0.2W,TC=TO	57668	CRB20 FXE 75E0
A8R25	322-3085-00			RES,FXD,FILM:75 OHM,1%,0.2W,TC=TO	57668	CRB20 FXE 75E0
A8R26	322-3085-00			RES,FXD,FILM:75 OHM,1%,0.2W,TC=TO	57668	CRB20 FXE 75E0
A8R27	322-3085-00			RES,FXD,FILM:75 OHM,1%,0.2W,TC=TO	57668	CRB20 FXE 75E0
A8R28	322-3085-00			RES,FXD,FILM:75 OHM,1%,0.2W,TC=TO	57668	CRB20 FXE 75E0
A8R29	307-0546-00			RES NTWK,FXD,FI:5.75OHM,5%,0.15 W	80009	307-0546-00
A8R30	307-0546-00			RES NTWK,FXD,FI:5.75OHM,5%,0.15 W	80009	307-0546-00
A8R31	322-3260-00			RES,FXD,FILM:4.99K OHM,1%,0.2W,TC=TO	57668	CRB20 FXE 4K99

Date: 10/15/91

Group Code 20

Change Reference: M73819Product: See ListManual Part No: See List

Component No.	Tektronix Part No.	Serial/Assembly No. Effective Dscont	Name & Description	Mfr. Code	Mfr. Part No.
ABR32	322-3260-00		RES, FXD, FILM: 4.99K OHM, 1%, 0.2W, TC=TO	57668	CRB20 FXE 4K99
ABR33	322-3260-00		RES, FXD, FILM: 4.99K OHM, 1%, 0.2W, TC=TO	57668	CRB20 FXE 4K99
ABR34	322-3085-00		RES, FXD, FILM: 75 OHM, 1%, 0.2W, TC=TO	57668	CRB20 FXE 75E0
ABR35	322-3085-00		RES, FXD, FILM: 75 OHM, 1%, 0.2W, TC=TO	57668	CRB20 FXE 75E0
ABR36	322-3097-00		RES, FXD, FILM: 100 OHM, 1%, 0.2W, TC=TO	57668	CRB20 FXE 100E
ABR37	322-3097-00		RES, FXD, FILM: 100 OHM, 1%, 0.2W, TC=TO	57668	CRB20 FXE 100E
ABR39	322-3126-00		RES, FXD, FILM: 200 OHM, 1%, 0.2W, TC=TO	80009	322-3126-00
ABR40	322-3126-00		RES, FXD, FILM: 200 OHM, 1%, 0.2W, TC=TO	80009	322-3126-00
ABR41	322-3097-00		RES, FXD, FILM: 100 OHM, 1%, 0.2W, TC=TO	57668	CRB20 FXE 100E
ABR42	322-3126-00		RES, FXD, FILM: 200 OHM, 1%, 0.2W, TC=TO	80009	322-3126-00
ABR43	322-3126-00		RES, FXD, FILM: 200 OHM, 1%, 0.2W, TC=TO	80009	322-3126-00
ABR44	322-3289-00		RES, FXD, FILM: 10K OHM, 1%, 0.2W, TC=TO	80009	322-3289-00
ABR45	322-3289-00		RES, FXD, FILM: 10K OHM, 1%, 0.2W, TC=TO	80009	322-3289-00
ABR46	322-3085-00		RES, FXD, FILM: 75 OHM, 1%, 0.2W, TC=TO	57668	CRB20 FXE 75E0
ABR47	322-3085-00		RES, FXD, FILM: 75 OHM, 1%, 0.2W, TC=TO	57668	CRB20 FXE 75E0
ABR48	322-3085-00		RES, FXD, FILM: 75 OHM, 1%, 0.2W, TC=TO	57668	CRB20 FXE 75E0
ABR49	322-3085-00		RES, FXD, FILM: 75 OHM, 1%, 0.2W, TC=TO	57668	CRB20 FXE 75E0
ABR50	322-3085-00		RES, FXD, FILM: 75 OHM, 1%, 0.2W, TC=TO	57668	CRB20 FXE 75E0
ABR53	322-3085-00		RES, FXD, FILM: 75 OHM, 1%, 0.2W, TC=TO	57668	CRB20 FXE 75E0
ABR54	322-3085-00		RES, FXD, FILM: 75 OHM, 1%, 0.2W, TC=TO	57668	CRB20 FXE 75E0
ABR55	322-3085-00		RES, FXD, FILM: 75 OHM, 1%, 0.2W, TC=TO	57668	CRB20 FXE 75E0
ABR56	322-3085-00		RES, FXD, FILM: 75 OHM, 1%, 0.2W, TC=TO	57668	CRB20 FXE 75E0
ABR57	322-3085-00		RES, FXD, FILM: 75 OHM, 1%, 0.2W, TC=TO	57668	CRB20 FXE 75E0
ABR58	322-3085-00		RES, FXD, FILM: 75 OHM, 1%, 0.2W, TC=TO	57668	CRB20 FXE 75E0
ABR59	322-3085-00		RES, FXD, FILM: 75 OHM, 1%, 0.2W, TC=TO	57668	CRB20 FXE 75E0
ABR60	322-3085-00		RES, FXD, FILM: 75 OHM, 1%, 0.2W, TC=TO	57668	CRB20 FXE 75E0
ABR61	322-3085-00		RES, FXD, FILM: 75 OHM, 1%, 0.2W, TC=TO	57668	CRB20 FXE 75E0
ABR62	322-3289-00		RES, FXD, FILM: 10K OHM, 1%, 0.2W, TC=TO	80009	322-3289-00
ABR63	322-3289-00		RES, FXD, FILM: 10K OHM, 1%, 0.2W, TC=TO	80009	322-3289-00
ABR64	322-3289-00		RES, FXD, FILM: 10K OHM, 1%, 0.2W, TC=TO	80009	322-3289-00
ABR65	322-3289-00		RES, FXD, FILM: 10K OHM, 1%, 0.2W, TC=TO	80009	322-3289-00
ABR66	322-3481-00		RES, FXD, FILM: 1M OHM, 1%, 0.2W, TC=TO	80009	322-3481-00
ABR67	322-3289-00		RES, FXD, FILM: 10K OHM, 1%, 0.2W, TC=TO	80009	322-3289-00
ABR68	322-3097-00		RES, FXD, FILM: 100 OHM, 1%, 0.2W, TC=TO	57668	CRB20 FXE 100E
ABR69	322-3097-00		RES, FXD, FILM: 100 OHM, 1%, 0.2W, TC=TO	57668	CRB20 FXE 100E
ABR70	322-3097-00		RES, FXD, FILM: 100 OHM, 1%, 0.2W, TC=TO	57668	CRB20 FXE 100E
ABR71	322-3193-00		RES, FXD, FILM: 1K OHM, 1%, 0.2W, TC=TO	57668	CRB20 FXE 1K00
ABR72	322-3058-00		RES, FXD, FILM: 39.2 OHM, 1%, 0.2W, TC=TO	80009	322-3058-00
ABR73	322-3058-00		RES, FXD, FILM: 39.2 OHM, 1%, 0.2W, TC=TO	80009	322-3058-00
ABR74	322-3085-00		RES, FXD, FILM: 75 OHM, 1%, 0.2W, TC=TO	57668	CRB20 FXE 75E0
ABR75	322-3085-00		RES, FXD, FILM: 75 OHM, 1%, 0.2W, TC=TO	57668	CRB20 FXE 75E0
ABR76	322-3085-00		RES, FXD, FILM: 75 OHM, 1%, 0.2W, TC=TO	57668	CRB20 FXE 75E0
ABR77	322-3137-00		RES, FXD, FILM: 261 OHM, 1%, 0.2W, TC=TO	80009	322-3137-00
ABR78	322-3137-00		RES, FXD, FILM: 261 OHM, 1%, 0.2W, TC=TO	80009	322-3137-00
ABR80	322-3085-00		RES, FXD, FILM: 75 OHM, 1%, 0.2W, TC=TO	57668	CRB20 FXE 75E0
ABR81	322-3085-00		RES, FXD, FILM: 75 OHM, 1%, 0.2W, TC=TO	57668	CRB20 FXE 75E0
ABR83	322-3165-00		RES, FXD, FILM: 511 OHM, 1%, 0.2W, TC=TO	57668	CRB20 FXE 511E
ABR84	322-3085-00		RES, FXD, FILM: 75 OHM, 1%, 0.2W, TC=TO	57668	CRB20 FXE 75E0
ABR85	322-3085-00		RES, FXD, FILM: 75 OHM, 1%, 0.2W, TC=TO	57668	CRB20 FXE 75E0
ABR88	322-3165-00		RES, FXD, FILM: 511 OHM, 1%, 0.2W, TC=TO	57668	CRB20 FXE 511E
ABR89	322-3085-00		RES, FXD, FILM: 75 OHM, 1%, 0.2W, TC=TO	57668	CRB20 FXE 75E0
ABR90	322-3289-00		RES, FXD, FILM: 10K OHM, 1%, 0.2W, TC=TO	80009	322-3289-00
ABR91	322-3260-00		RES, FXD, FILM: 4.99K OHM, 1%, 0.2W, TC=TO	57668	CRB20 FXE 4K99

Date: 10/15/91Group Code 20Change Reference: M73819Product: See ListManual Part No: See List

Component No.	Tektronix Part No.	Serial/Assembly No. Effective Dscont	Name & Description	Mfr. Code	Mfr. Part No.
ABR92	322-3193-00		RES,FXD,FILM:1K OHM,1%,0.2W,TC=TO	57668	CRB20 FXE 1K00
ABR93	322-3259-00		RES,FXD,FILM:4.87K OHM,1%,0.2W,TC=TO	80009	322-3259-00
ABR94	322-3001-00		RES,FXD,FILM:10 OHM,1%,0.2W,TC=TO	80009	322-3001-00
ABR95	322-3001-00		RES,FXD,FILM:10 OHM,1%,0.2W,TC=TO	80009	322-3001-00
ABR96	322-3281-00		RES,FXD,FILM:8.25K OHM,1%,0.2W,TC=TO	80009	322-3281-00
ABR97	322-3085-00		RES,FXD,FILM:75 OHM,1%,0.2W,TC=TO	57668	CRB20 FXE 75E0
ABR98	322-3193-00		RES,FXD,FILM:1K OHM,1%,0.2W,TC=TO	57668	CRB20 FXE 1K00
ABR99	322-3210-00		RES,FXD,FILM:1.5K OHM,1%,0.2W,TC=TO	57668	CRB20 FXE 1K50
ABR100	322-3085-00		RES,FXD,FILM:75 OHM,1%,0.2W,TC=TO	57668	CRB20 FXE 75E0
ABR101	322-3085-00		RES,FXD,FILM:75 OHM,1%,0.2W,TC=TO	57668	CRB20 FXE 75E0
ABR102	322-3085-00		RES,FXD,FILM:75 OHM,1%,0.2W,TC=TO	57668	CRB20 FXE 75E0
ABR103	322-3085-00		RES,FXD,FILM:75 OHM,1%,0.2W,TC=TO	57668	CRB20 FXE 75E0
ABR104	322-3164-00		RES,FXD,FILM:499 OHM,1%,0.2W,TC=TO	57668	CRB20 FXE 499E
ABR105	322-3085-00		RES,FXD,FILM:75 OHM,1%,0.2W,TC=TO	57668	CRB20 FXE 75E0
ABR106	322-3085-00		RES,FXD,FILM:75 OHM,1%,0.2W,TC=TO	57668	CRB20 FXE 75E0
A8TP1	214-4085-00		TERM,TEST POINT:0.070 ID,0.220 H,0.063 DIA PCB,0.015 X 0.032 BRASS,W/ RED NYLON COLLAR	26364	104-01-02
A8TP2	214-4085-00		TERM,TEST POINT:0.070 ID,0.220 H,0.063 DIA PCB,0.015 X 0.032 BRASS,W/ RED NYLON COLLAR	26364	104-01-02
A8TP3	214-4085-00		TERM,TEST POINT:0.070 ID,0.220 H,0.063 DIA PCB,0.015 X 0.032 BRASS,W/ RED NYLON COLLAR	26364	104-01-02
A8TP4	214-4085-00		TERM,TEST POINT:0.070 ID,0.220 H,0.063 DIA PCB,0.015 X 0.032 BRASS,W/ RED NYLON COLLAR	26364	104-01-02
A8TP5	214-4085-00		TERM,TEST POINT:0.070 ID,0.220 H,0.063 DIA PCB,0.015 X 0.032 BRASS,W/ RED NYLON COLLAR	26364	104-01-02
A8TP6	214-4085-00		TERM,TEST POINT:0.070 ID,0.220 H,0.063 DIA PCB,0.015 X 0.032 BRASS,W/ RED NYLON COLLAR	26364	104-01-02
A8TP7	214-4085-00		TERM,TEST POINT:0.070 ID,0.220 H,0.063 DIA PCB,0.015 X 0.032 BRASS,W/ RED NYLON COLLAR	26364	104-01-02
A8TP8	214-4085-00		TERM,TEST POINT:0.070 ID,0.220 H,0.063 DIA PCB,0.015 X 0.032 BRASS,W/ RED NYLON COLLAR	26364	104-01-02
A8TP9	214-4085-00		TERM,TEST POINT:0.070 ID,0.220 H,0.063 DIA PCB,0.015 X 0.032 BRASS,W/ RED NYLON COLLAR	26364	104-01-02
A8TP10	214-4085-00		TERM,TEST POINT:0.070 ID,0.220 H,0.063 DIA PCB,0.015 X 0.032 BRASS,W/ RED NYLON COLLAR	26364	104-01-02
A8TP11	214-4085-00		TERM,TEST POINT:0.070 ID,0.220 H,0.063 DIA PCB,0.015 X 0.032 BRASS,W/ RED NYLON COLLAR	26364	104-01-02
A8TP12	214-4085-00		TERM,TEST POINT:0.070 ID,0.220 H,0.063 DIA PCB,0.015 X 0.032 BRASS,W/ RED NYLON COLLAR	26364	104-01-02
A8TP13	214-4085-00		TERM,TEST POINT:0.070 ID,0.220 H,0.063 DIA PCB,0.015 X 0.032 BRASS,W/ RED NYLON COLLAR	26364	104-01-02
A8U1	156-1640-00		IC,DIGITAL:ECL,RECEIVER;TRIPLE LINE;10H116, DIP16.3,TUBE	80009	156-1640-00
A8U2	156-1640-00		IC,DIGITAL:ECL,RECEIVER;TRIPLE LINE;10H116, DIP16.3,TUBE	80009	156-1640-00
A8U3	156-1640-00		IC,DIGITAL:ECL,RECEIVER;TRIPLE LINE;10H116, DIP16.3,TUBE	80009	156-1640-00
A8U4	156-1640-00		IC,DIGITAL:ECL,RECEIVER;TRIPLE LINE;10H116, DIP16.3,TUBE	80009	156-1640-00
A8U5	156-1640-00		IC,DIGITAL:ECL,RECEIVER;TRIPLE LINE;10H116, DIP16.3,TUBE	80009	156-1640-00
A8U6	160-8053-00		MICROCKT,DGTL:PROGRAMMED 156-3550-00,PAL22V 10	80009	160-8053-00

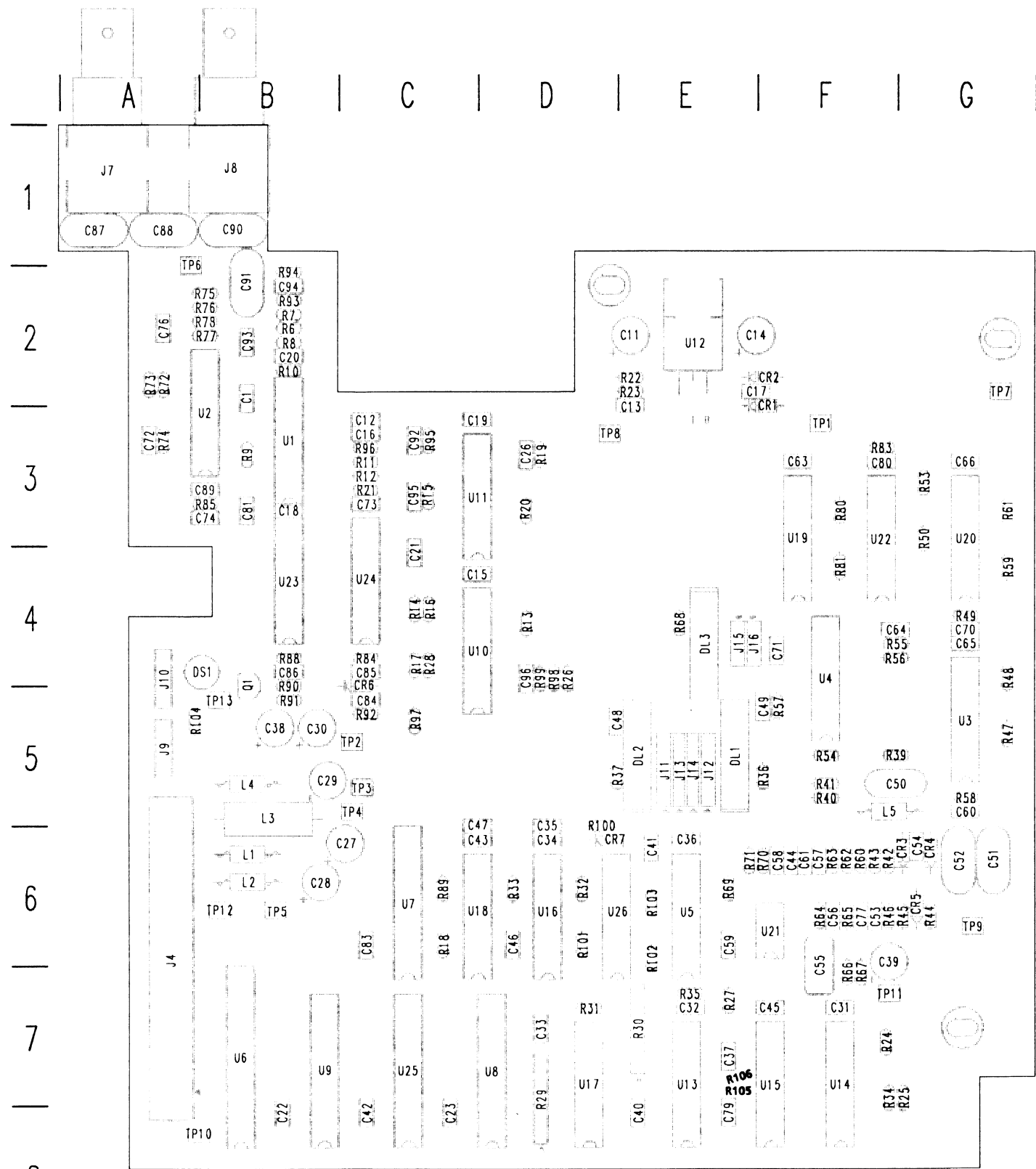
Date: 10/15/91

Group Code 20

Change Reference: M73819Product: See ListManual Part No: See List

Component No.	Tektronix Part No.	Serial/Assembly No. Effective	Dscort	Name & Description	Mfr. Code	Mfr. Part No.
A8U6	136-0925-00			SOCKET,DIP::	91506	224-AG30D
A8U7	156-1748-02			IC,DIGITAL:ALSTTL,TRANSCEIVER;OCTAL NONINV, 3-STATE;74ALS245,DIP20.3,TUBE	01295	SN74ALS245AN3
A8U8	156-1664-00			IC,DIGITAL:ALSTTL,FLIP FLOP;OCTAL NONINV D-TYPE, 3-STATE;74ALS574,DIP20.3,TUBE	80009	156-1664-00
A8U9	156-2391-00			IC,DIGITAL:ALSTTL,BUFFER/DRIVER;OCTAL NONINV, 3-STATE;74ALS541,DIP20.3,TUBE	80009	156-2391-00
A8U10	156-1795-00			IC,DIGITAL:ECL,MUX/ENCODER;DUAL 4-TO-1 MUX; 10H174,DIP16.3,TUBE	80009	156-1795-00
A8U11	156-2115-00			IC,DIGITAL:ECL,DEMUX/DECODER;1-TO-4 BINARY; 10H171,DIP16.3,TUBE	80009	156-2115-00
A8U12	156-1451-00			IC,LINEAR:BIPOLAR,VOLTAGE REGULATOR;NEGATIVE,ADJUSTABLE,1.5A,4%;LM337T,TO-220	80009	156-1451-00
A8U12	210-1178-00			WASHER,SHLDR:	80009	210-1178-00
A8U12	211-0008-00			SCREW,MACHINE:4-40 X 0.25,PNH,STL	93907	ORDER BY DESC
A8U12	342-0563-00			INSULATOR,PLATE:TRANSISTOR,FIBERGLASS REINFORCED SILICON RUBBER	18565	69-11-8805-1674
A8U13	156-2142-00			IC,DIGITAL:ECL,COUNTER;4-BIT BINARY;10H016,DIP16.3,TUBE	80009	156-2142-00
A8U14	156-2142-00			IC,DIGITAL:ECL,COUNTER;4-BIT BINARY;10H016,DIP16.3,TUBE	80009	156-2142-00
A8U15	156-1642-00			IC,DIGITAL:ECL,GATE;TRIPLE 2-3-2-INPUT OR/NOR;10H105,DIP16.3	80009	156-1642-00
A8U16	156-2289-00			IC,DIGITAL:ECL,TRANSLATOR;QUAD TTL-TO-ECL;10H124,DIP16.3,TUBE	04713	MC10H124P
A8U17	156-2289-00			IC,DIGITAL:ECL,TRANSLATOR;QUAD TTL-TO-ECL;10H124,DIP16.3,TUBE	04713	MC10H124P
A8U18	156-2289-00			IC,DIGITAL:ECL,TRANSLATOR;QUAD TTL-TO-ECL;10H124,DIP16.3,TUBE	04713	MC10H124P
A8U19	156-1639-00			IC,DIGITAL:ECL,FLIP FLOP;DUAL MASTER-SLAVE; 10H131,DIP16.3	80009	156-1639-00
A8U20	156-1642-01			IC,DIGITAL:ECL,GATE;TRIPLE 2-3-2 INPUT OR/NOR;10H105,DIP16.3,TUBE,SCRN	80009	156-1642-01
A8U21	156-0853-02			IC,LINEAR:BIPOLAR,OP-AMP;DUPLICATE OF 156-0853-00,DO NOT USE;LM358N,DIP08.3	80009	156-0853-02
A8U22	156-1795-00			IC,DIGITAL:ECL,MUX/ENCODER;DUAL 4-TO-1 MUX; 10H174,DIP16.3,TUBE	80009	156-1795-00
A8U23	156-2115-00			IC,DIGITAL:ECL,DEMUX/DECODER;1-TO-4 BINARY; 10H171,DIP16.3,TUBE	80009	156-2115-00
A8U24	156-2290-00			IC,DIGITAL:ECL,TRANSLATOR;QUAD ECL-TO-TTL;10H125,DIP16.3,TUBE	80009	156-2290-00
A8U25	156-1664-00			IC,DIGITAL:ALSTTL,FLIP FLOP;OCTAL NONINV D-TYPE, 3-STATE;74ALS574,DIP20.3,TUBE	80009	156-1664-00
A8U26	156-1639-00			IC,DIGITAL:ECL,FLIP FLOP;DUAL MASTER-SLAVE; 10H131,DIP16.3	80009	156-1639-00
W8	174-2190-00			CA ASSY,SP,ELEC:40,28 AWG,3.0 L,RIBBON,2 X 20,0.1 CTR,RCPT X 2 X 20,0.1 CTR,RCPT	80009	174-2190-00
W69	174-2586-00			CA ASSY,SP,ELEC:16,26 AWG,24.5 L (CONNECTED FROM A3J69 & J71 TO A8J9 & J10)	80009	174-2586-00

**ADD board illustration and schematics for the A8 CLOCK INPUT board AS FOLLOWS:**



**A8 CLOCK INPUT Board**

**671-1345-00**

 **Static Sensitive Devices**  
See Maintenance Section

**Schematic Diagram <1> Look-up Chart  
CLOCK INPUT Board**

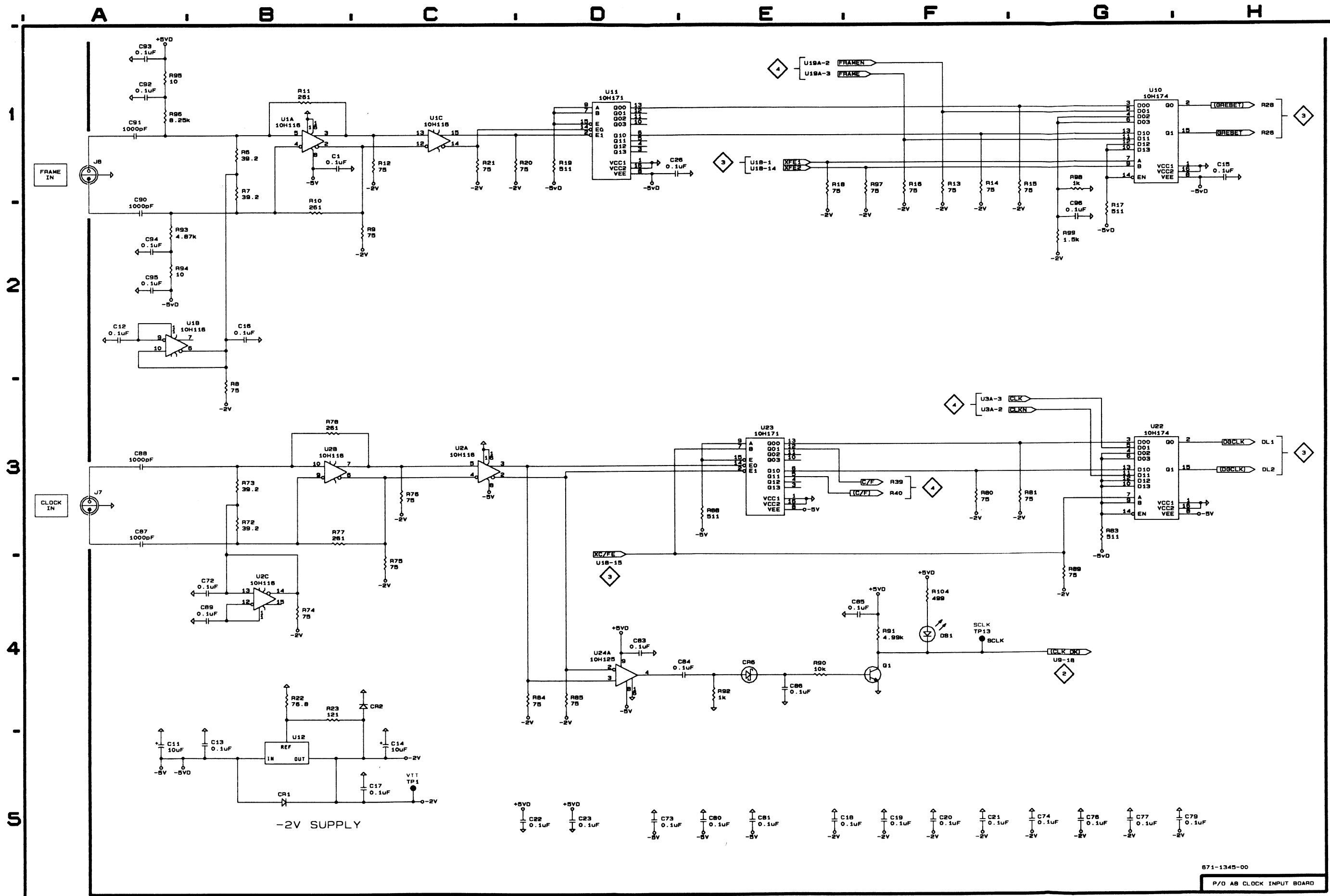
The schematic diagram has an alpha-numeric grid to assist in locating parts within that diagram.

**ASSEMBLY A8** Partial A8 also shown on diagrams 2, 3, and 4.

Use the circuit board lookup table, below, for schematic <1>

CKT NO.	SCHEM LOC	SCHEM LOC	BD LOC	CKT NO.	SCHEM LOC	SCHEM LOC	BD LOC	CKT NO.	SCHEM LOC	SCHEM LOC	BD LOC	CKT NO.	SCHEM LOC	SCHEM LOC	BD LOC
C1	B1	1	B2	C84	E4	1	C5	R22	B4	1	E2	R96	A1	1	C3
C11	A5	1	E2	C85	F4	1	C4	R23	B4	1	E2	R97	F1	1	C5
C12	A2	1	C3	C86	E4	1	B4	R24	F3	3	F7	R98	G1	1	D5
C13	B5	1	E3	C87	A3	1	A1	R25	G3	3	G8	R99	G2	1	D5
C14	C5	1	E2	C88	A3	1	A1	R26	D3	3	D5	R100	E4	3	D6
C15	H1	1	C4	C89	B4	1	B3	R27	D4	3	E7	R101	E4	3	D6
C16	B2	1	C3	C90	A2	1	B1	R28	C3	3	C4	R102	F4	3	E7
C17	C5	1	E2	C91	A1	1	B2	R29	E1	3	D8	R103	G4	3	E6
C18	E5	1	B3	C92	A1	1	C3	R30	C1	3	E7	R104	F4	1	B5
C19	F5	1	C3	C93	A1	1	B2	R31	E1	3	D7	R105	D3	3	E7
C20	F5	1	B2	C94	A2	1	B2	R32	C1	3	D6	R106	C2	3	E7
C21	F5	1	C4	C95	A2	1	C3	R33	B2	3	D6				
C22	D5	1	B8	C96	G2	1	D5	R34	D2	3	F8	TP1	C5	1	F3
C23	D5	1	C8					R35	F3	3	E7	TP2	D5	2	C5
C26	D1	1	D3	CR1	B5	1	F3	R36	C4	3	F5	TP3	D5	2	C5
C27	C5	2	B6	CR2	C4	1	F2	R37	C5	3	E5	TP4	E5	2	C5
C28	B5	2	B6	CR3	D1	4	G6	R39	B2	4	F5	TP5	D5	2	B6
C29	C5	2	B5	CR4	C2	4	G6	R40	B1	4	F5	TP6	E5	2	A2
C30	B5	2	B5	CR5	C4	4	G6	R41	B1	4	F5	TP7	F5	2	G2
C31	E3	3	F7	CR6	E4	1	C5	R42	D2	4	F6	TP8	F5	2	D3
C32	F1	3	E7	CR7	E4	3	D6	R43	D1	4	F6	TP9	F5	2	G6
C33	E1	3	D7					R44	C1	4	G6	TP10	G5	2	A8
C34	D1	3	D6	DL1	C3	3	E5					TP11	D5	4	F7
C35	C1	3	D6	DL2	C5	3	E5	R45	D1	4	G6	TP12	C5	4	B6
C36	E2	3	E6	DL3	B2	4	E4	R46	E2	4	F6	TP13	F4	1	B5
C37	G2	3	E7	DS1	F4	1	A4	R47	E1	4	G5				
C38	G5	3	B5					R48	E1	4	G5	U1A	B1	1	B3
C39	G5	3	F5	J4	A1	2	A6	R49	F1	4	G4	U1B	A2	1	B3
C40	D3	3	E8	J7	A3	1	A1	R50	F1	4	G4	U2A	C3	1	B3
C41	G4	3	E8	J8	A1	1	B1	R53	F3	4	G3	U2B	B3	1	B3
C42	C2	3	C8	J9	H3	2	A5	R54	F3	4	F5	U2C	B4	1	B3
C43	B3	3	C6	J10	H4	2	A5	R55	E3	4	F4	U3A	F1	4	G5
C44	E6	3	F6	J11	C5	3	E5	R56	D3	4	F4	U3B	E1	4	G5
C45	E5	3	F7	J12	C4	3	E5	R57	D3	4	F5	U3C	D2	4	G5
C46	F5	3	D6	J13	C5	3	E5	R58	E4	4	G5	U4A	E3	4	F4
C47	F5	3	C6	J14	C4	3	E5	R59	F4	4	G4	U4B	D3	4	F4
C48	F5	3	E5	J15	B2	4	E4	R60	E5	4	F6	U4C	D3	4	F4
C49	D3	4	F5	J16	B3	4	F4	R61	F5	4	G3	U5A	D3	3	E6
C50	C1	4	F5					R62	E5	4	F6	U5B	G4	3	E6
C51	C1	4	G6	L1	B2	2	B6	R63	E4	4	F6	U5C	D4	3	E6
C52	D2	4	G6	L2	B2	2	B6	R64	E4	4	F6	U6	C1	2	B7
C53	D2	4	F6	L3	B2	2	B5	R65	E5	4	F6	U7	D3	2	C6
C54	D2	4	G6	L4	A3	2	B5	R66	D5	4	F7	U8	E1	2	D7
C55	D5	4	F7	L5	B1	4	F5	R67	C4	4	F7	U9	D3	2	B7
C56	E5	4	F6					R68	B2	4	E4	U10	G1	1	C4
C57	E4	4	F6	P1	B3	4		R69	D4	4	E6	U11	D1	1	C3
C58	D4	4	F6	P2	C5	3		R70	D4	4	F6	U12	B5	1	E2
C59	D4	4	E6	P3	C4	3		R71	C4	4	E6	U13	E2	3	E7
C60	A5	4	G5	Q1	F4	1	B5	R72	B3	1	A2	U14	F2	3	F7
C61	A5	4	F6					R73	B3	1	A2	U15A	E3	3	F7
C63	B5	4	F3					R74	B4	1	A3	U19A	G3	4	F3
C64	B5	4	F4	R6	B1	1	B2	R75	C4	1	A2	U16	C1	3	D6
C65	B5	4	G4	R7	B1	1	B2	R76	C3	1	B2	U17	E1	3	D7
C66	C5	4	G3	R8	B3	1	B2	R77	B3	1	B2	U18	B2	3	C6
C70	D2	4	G4	R9	C2	1	B3	R78	B3	1	B2	U19A	G3	4	F3
C71	D4	4	F4	R10	B2	1	B2	R79	F3	1	F3	U19B	G3	4	F3
C72	B4	1	A3	R11	B1	1	C3	R80	G3	1	F3	U20A	F4	4	G3
C72	B4	1	A3	R12	C1	1	C3	R81	G3	1	F4	U20C	F5	4	G3
C73	D5	1	C3	R13	F1	1	D4	R83	G3	1	F3	U21A	D4	4	F6
C73	D5	1	C3	R14	F1	1	C4	R84	D4	1	C4	U22	G3	1	F3
C74	G5	1	A3	R15	G1	1	C3	R85	D4	1	B3	U23	E3	1	B4
C76	G5	1	A2	R16	F1	1	C4	R88	E3	1	B4	U25	E2	2	C7
C77	G5	1	F6	R17	G2	1	C4	R89	G4	1	C6	U24A	D4	1	C4
C79	H5	1	E7	R18	E1	1	C6	R90	E4	1	B5	U26A	F4	3	D6
C80	E5	1	F3	R19	D1	1	D3	R91	F4	1	B5				
C81	E5	1	B3	R20	C1	1	D3	R92	E4	1	C5	W8	A1	2	
C83	D4	1	C6	R21	C1	1	C3	R93	A2	1	B2	W69A	H4	2	
								R94	A2	1	B2	W69B	H4	2	
								R95	A1	1	C3				



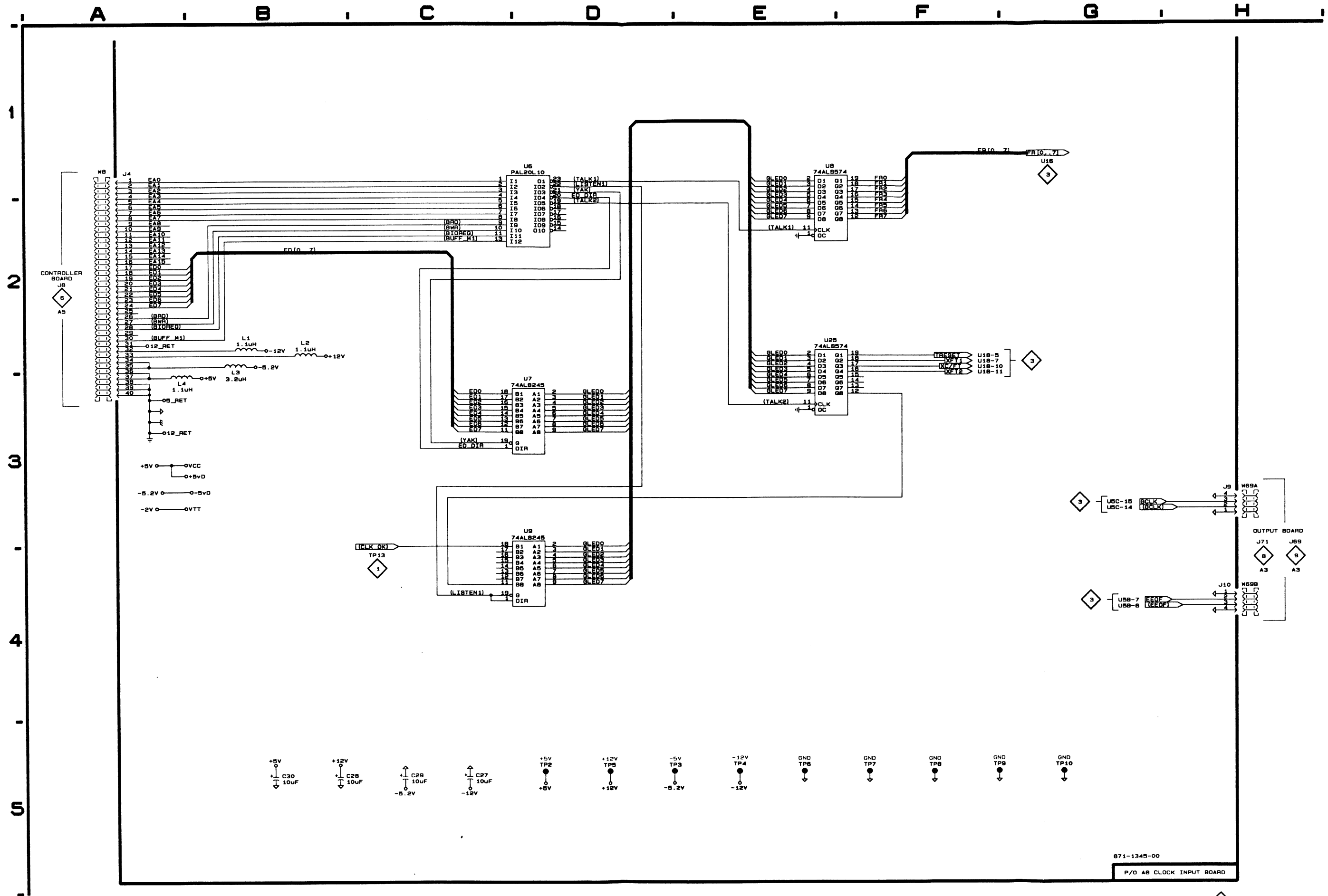


## Schematic Diagram <2> Look-up Chart CLOCK INPUT Board

The schematic diagram has an alpha-numeric grid to assist in locating parts within that diagram.

**ASSEMBLY A8.** *Partial A8 also shown on diagrams 1, 2, and 4.*

CIRCUIT NUMBER	SCHEM LOCATION	BOARD LOCATION
C27	C5	B6
C28	B5	B6
C29	C5	B5
C30	B5	B5
J4	A1	A6
J9	H3	A5
J10	H4	A5
L1	B2	B6
L2	B2	B6
L3	B2	B5
L4	A3	B5
TP2	D5	C5
TP3	D5	C5
TP4	E5	C5
TP5	D5	B6
TP6	E5	A2
TP7	F5	G2
TP8	F5	D3
TP9	F5	G6
TP10	G5	A8
U6	C1	B7
U7	D3	C6
U8	E1	D7
U9	D3	B7
U25	E2	C7
W8	A1	
W69A	H4	
W69B	H4	



## Schematic Diagram <3> Look-up Chart CLOCK INPUT Board

The schematic diagram has an alpha-numeric grid to assist in locating parts within that diagram.

**ASSEMBLY A8.** *Partial A8 also shown on diagrams 1, 2, and 4.*

CIRCUIT NUMBER	SCHEM LOCATION	BOARD LOCATION
C31	E3	F7
C32	F1	E7
C33	E1	D7
C34	D1	D6
C35	C1	D6
C36	E2	E6
C37	G2	E7
C38	G5	B5
C39	G5	F6
C40	D3	E8
C41	G4	E6
C42	C2	C8
C43	B3	C6
C44	E5	F6
C45	E5	F7
C46	F5	D6
C47	F5	C6
C48	F5	E5
CR7	E4	D6
DL1	C3	E5
DL2	C5	E5
J11	C5	E5
J12	C4	E5
J13	C5	E5
J14	C4	E5
P2	C5	
P3	C4	
R24	F3	F7
R25	G3	G8
R26	D3	D5
R27	D4	E7
R28	C3	C4
R29	E1	D8
R30	C1	E7
R31	E1	D7
R32	C1	D6
R33	B2	D6
R34	D2	F8
R35	F3	E7
R36	C4	F5
R37	C5	E5
R100	E4	D6
R101	E4	D6
R102	F4	E7
R103	G4	E6
R104	F4	B5
R105	D3	E7
R106	C2	G7
U5A	D3	E6
U5B	G4	E6
U5C	D4	E6
U13	E2	E7
U14	F2	F7
U15A	E3	F7
U15C	D2	F7
U16	C1	D6
U17	E1	D7
U18	B2	C6
U26A	F4	D6
U26B	E4	D6

A B C D E F G H

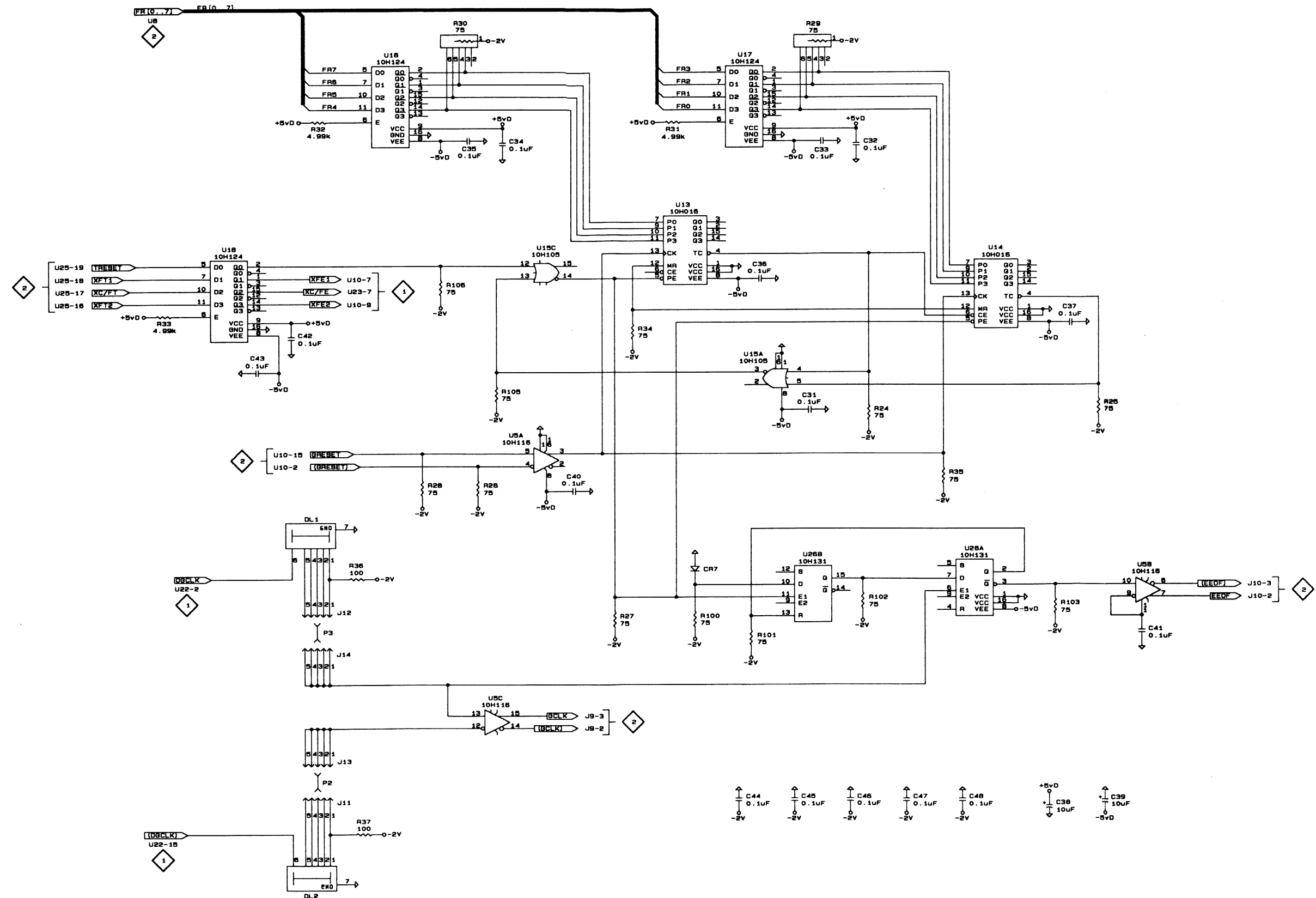
1

2

3

4

5



671-1345-00  
P/Q A8 CLOCK INPUT BOARD

## Schematic Diagram <4> Look-up Chart CLOCK INPUT Board

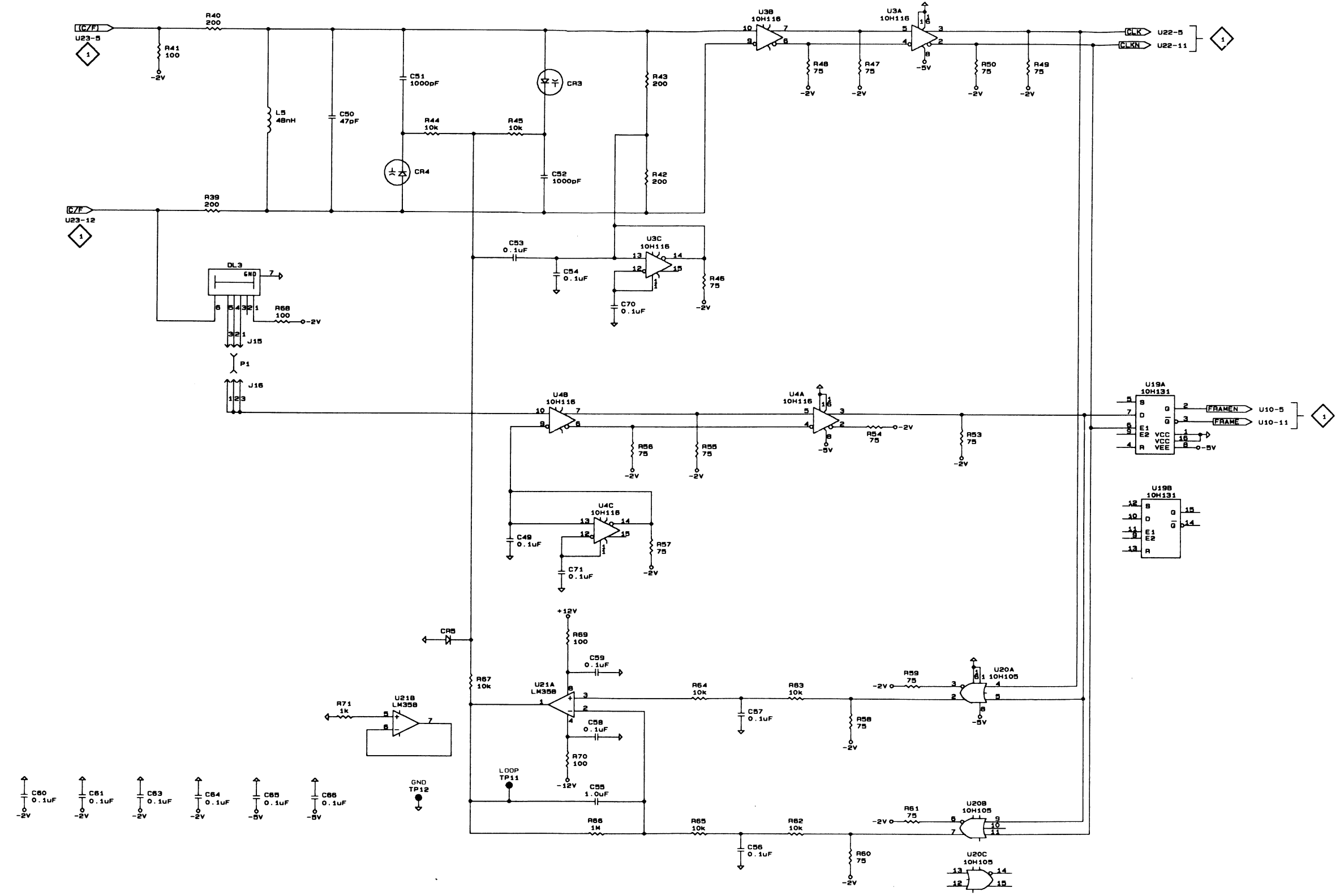
The schematic diagram has an alpha-numeric grid to assist in locating parts within that diagram.

**ASSEMBLY A8.** *Partial A8 also shown on diagrams 1, 2, and 3.*

CIRCUIT NUMBER	SCHEM LOCATION	BOARD LOCATION	CIRCUIT NUMBER	SCHEM LOCATION	BOARD LOCATION
C49	D3	F5	R47	E1	G5
C50	C1	F5	R48	E1	G5
C51	C1	G6	R49	F1	G4
C52	D2	G6	R50	F1	G4
C53	D2	F6	R53	F3	G3
C54	D2	G6	R54	F3	F5
C55	D5	F7	R55	E3	F4
C56	E5	F6	R56	D3	F4
C57	E4	F6	R57	D3	F5
C58	D4	F6	R58	E4	G5
C59	D4	E6	R59	F4	G4
C60	A5	G5	R60	E5	F6
C61	A5	F6	R61	F5	G3
C63	B5	F3	R62	E5	F6
C64	B5	F4	R63	E4	F6
C65	B5	G4	R64	E4	F6
C66	C5	G3	R65	E5	F6
C70	D2	G4	R66	D5	F7
C71	D4	F4	R67	C4	F7
			R68	B2	E4
CR3	D1	G6	R69	D4	E6
CR4	C2	G6	R70	D4	F6
CR5	C4	G6	R71	C4	E6
DL3	B2	E4	TP11	D5	F7
			TP12	C5	B6
J15	B2	E4			
J16	B3	F4	U3A	F1	G5
			U3B	E1	G5
L5	B1	F5	U3C	D2	G5
			U4A	E3	F4
P1	B3		U4B	D3	F4
			U4C	D3	F4
R39	B2	F5	U19A	G3	F3
R40	B1	F5	U19B	G3	F3
R41	B1	F5	U20A	F4	G3
R42	D2	F6	U20B	F5	G3
R43	D1	F6	U20C	F5	G3
R44	C1	G6	U21A	D4	F6
R45	D1	G6	U21B	C4	F6
R46	E2	F6			

A B C D E F G H

1  
2  
3  
4  
5



671-1345-00  
P/O AB CLOCK INPUT BOARD

Date: 12/2/91 Change Reference: M75402

Product: See List

Manual Part No: See List

**DESCRIPTION**

<u>INST</u>	<u>EFF S/N</u>	<u>MANUAL P/N</u>
SPG 1000	B010105	070-8074-00
TSG 1001	B010266	061-3810-00
TSG 1050	B010109	061-3718-00
TSG 1125	B010190	061-3629-00
TSG 1250	B010120	061-3719-00

**ELECTRICAL PARTS LIST CHANGES**

**CHANGE TO READ:**

**In the SPG 1000**

A2	672-1904-01	CKT BD ASSY: OSCILLATOR ASSY
A2A1	671-1904-01	CKT BD ASSY: OSCILLATOR BOARD
A2A1A1	119-3402-03	OVEN ASSEMBLY: TSG 1125 (MOUNTS AT A2J2)
A2A1A2	119-3893-03	OVEN ASSEMBLY: TSG 1050 & TSG 1250 (MOUNTS AT A2J5)
A2A1A3	119-4088-01	OVEN ASSEMBLY: TSG 1001 (MOUNTS AT A2J8)

**In the TSG 1001**

A2	671-1693-04	CKT BD ASSY: OSCILLATOR
A3	671-1789-07	CKT BD ASSY: OUTPUT
A2A1	119-3893-03	OVEN ASSEMBLY: TSG 1050 & TSG 1250
A2A2	119-4088-01	OVEN ASSEMBLY: TSG 1001
A3A4	119-3402-03	OVEN ASSEMBLY: TSG 1125

**In the TSG 1050**

A3	671-0910-06	CKT BD ASSY: OUTPUT
A3A4	119-3893-03	OVEN ASSEMBLY: TSG 1050 & TSG 1250

**In the TSG 1125**

A3	671-1789-07	CKT BD ASSY: OUTPUT
A3A4	119-3402-03	OVEN ASSEMBLY: TSG 1125

**In the TSG 1250**

A3	671-0910-06	CKT BD ASSY: OUTPUT
A3A4	119-3893-03	OVEN ASSEMBLY: TSG 1050 & TSG 1250



Date: 1/12/92 Change Reference: M76328

Product: See List

Manual Part No: See List

**DESCRIPTION**

<u>INST</u>	<u>EFF S/N</u>	<u>MANUAL P/N</u>
TSG 1001	B020000	061-3810-00
TSG 1050	B020000	061-3718-00
TSG 1125	B020000	061-3629-00
TSG 1250	B020000	061-3719-00

**ELECTRICAL PARTS LIST and SCHEMATIC CHANGES**

**SECTION 7 REPLACEABLE ELECTRICAL PARTS LIST**

**CHANGE TO READ:**

A2	671-0872-02	CKT BD ASSY: DIGITAL BOARD (TSG 1050 ONLY)
A2	671-0984-03	CKT BD ASSY: DIGITAL BOARD (TSG 1125 ONLY)
A2	671-1243-02	CKT BD ASSY: DIGITAL BOARD (TSG 1250 ONLY)
A5	671-0911-04	CKT BD ASSY: CONTROLLER BOARD
A16	671-1820-02	CKT BD ASSY: USER PROM BOARD (TSG 1050 OPT 6 ONLY)
A16	671-1351-03	CKT BD ASSY: USER PROM BOARD (TSG 1125 OPT 6 ONLY)
A16	671-1809-02	CKT BD ASSY: USER PROM BOARD (TSG 1250 OPT 6 ONLY)
A21	671-1892-03	CKT BD ASSY: TEST PATTERN BOARD (TSG 1050 OPT 11 ONLY)
A21	671-1804-03	CKT BD ASSY: TEST PATTERN BOARD (TSG 1125 OPT 11 ONLY)
A21	671-1805-02	CKT BD ASSY: TEST PATTERN BOARD (TSG 1250 OPT 11 ONLY)
A22	671-1894-01	CKT BD ASSY: TEST PATTERN BOARD (TSG 1050 OPT 12 ONLY)
A22	671-1492-03	CKT BD ASSY: TEST PATTERN BOARD (TSG 1125 OPT 12 ONLY)
A22	671-1896-02	CKT BD ASSY: TEST PATTERN BOARD (TSG 1250 OPT 12 ONLY)
A31	671-1456-02	CKT BD ASSY: ZONE PLATE BOARD
A2U32	160-5967-02	IC: ARRAY LOGIC MICRO DEVICE, AMPAL22V10 (TSG 1050, TSG 1125, TSG 1250)
A5U11	160-5900-04	MICROCKT, DGTL: 16 X 8 EPROM, PRGM
A5U93	160-7330-01	MICROCKT, DGTL: PRGM PAL22V10
A16U32	160-5967-02	IC: ARRAY LOGIC MICRO DEVICE, AMPAL22V10 (TSG 1050, TSG 1125, TSG 1250)
A21U32	160-5967-02	IC: ARRAY LOGIC MICRO DEVICE, AMPAL22V10 (TSG 1050, TSG 1125, TSG 1250)
A22U32	160-5967-02	IC: ARRAY LOGIC MICRO DEVICE, AMPAL22V10 (TSG 1050, TSG 1125, TSG 1250)
A31U22	160-7169-01	MICROCKT, DGTL: STTL, PLD, 20 IN, 10 OUT, PRGM, PAL20L10
A31U23	160-6224-01	MICROCKT, DGTL: CMOS, 16 X 8 EPROM

Date: 1/12/92

Group Code: 30

Change Reference: M76328

Product: See List

Manual Part No: See List

DELETE:

A31U26  
A31U26 SOCKET  
A31C5

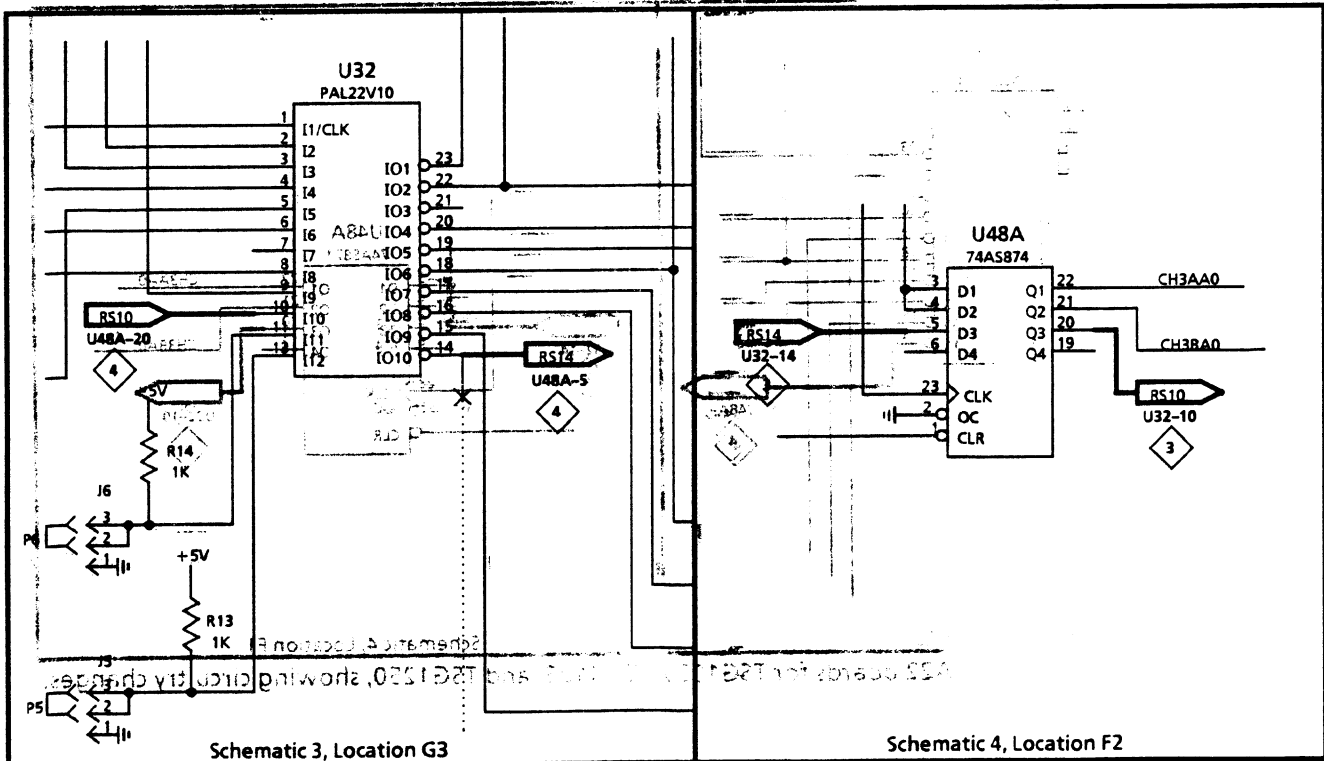
ADD mounting parts TO A2U48, A16U48, A21U48, and A22U48, for the TSG1050, TSG1125, and TSG1250 AS FOLLOWS:

136-0925-00

\*MOUNTING PARTS\*  
SKT, PL-IN ELEK: MICROCKT, 24 CONTACT  
\*END MOUNTING PARTS\*

SECTION 8 DIAGRAMS and CIRCUIT BOARD ILLUSTRATIONS

Circuitry changes are shown in the following partial schematics:



Schematic 3, Location G3

Schematic 4, Location F2

Partial schematics of the A2 DIGITAL board for TSG1050, TSG1125, and TSG1250, showing circuitry changes.

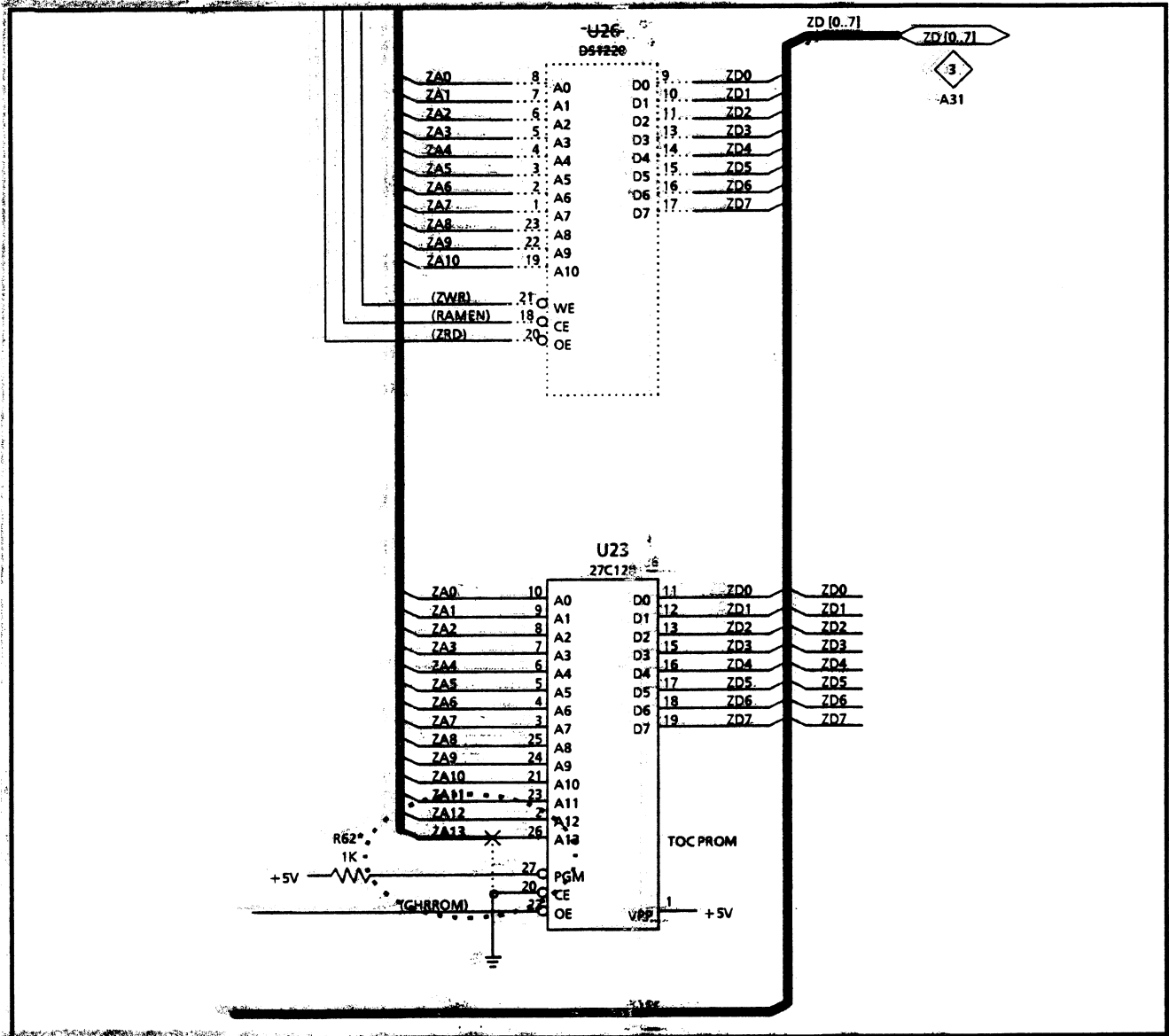


Date: 1/12/92

Group Code 20 20 Change Reference: M76328

Product: See List

Manual Part No: See List



Part of A31 schematic 1, showing circuitry change.